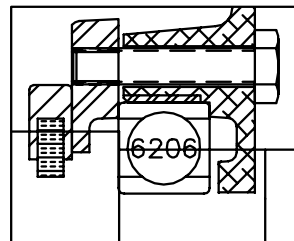
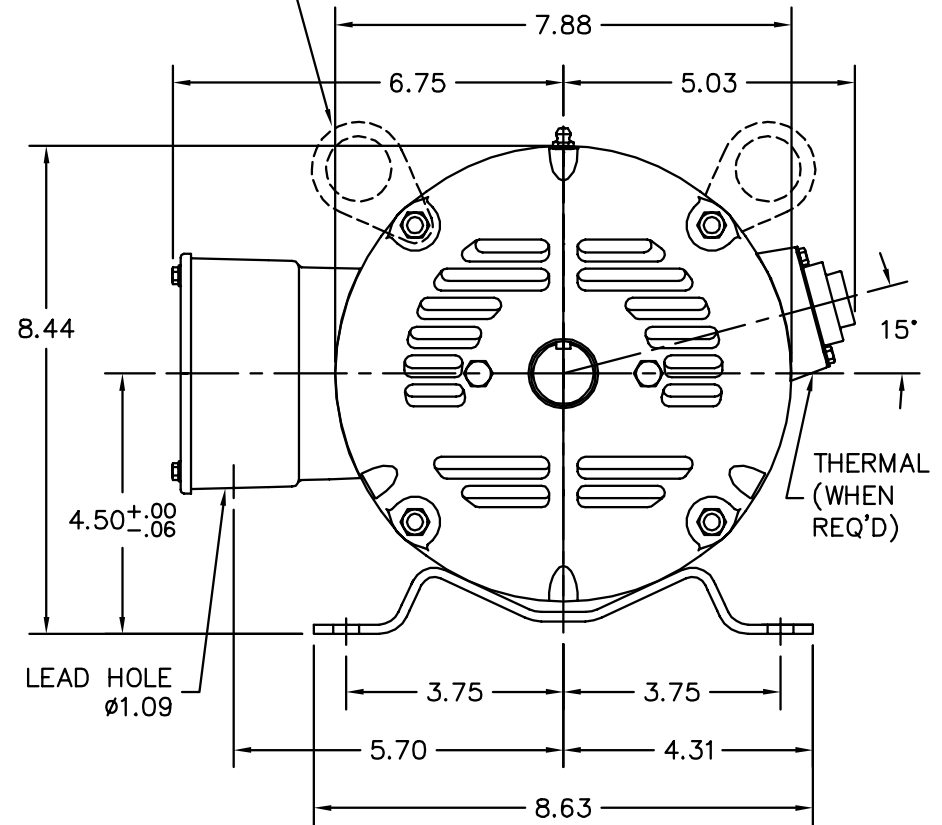


1 LUG EA END
 DIAGONALLY SPACED
 (624-646 STACKS ONLY)



PU END DETAIL

CUSTOMER IS RESPONSIBLE FOR DETERMINING THAT BALDOR'S PRODUCT WILL PERFORM SUITABLY IN THE INTENDED APPLICATION.

| | | |
|---|------------------------------|-------------------|
| REV. DESC: CHG LIFTING LUG STACKS FROM 635-646 TO 624-646 | | |
| REV. LTR: B | VERSION: 02 | TDR: 000001078166 |
| FILE: \AAA\00174\561 | REVISED: 02:14:55 07/13/2018 | BY: ENELLGO |
| MTL: - | | |

BALDOR - RELIANCE®

HOR 182-4T OPSB M, AEGIS INT GND

SH 1 of 1