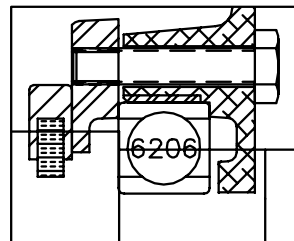
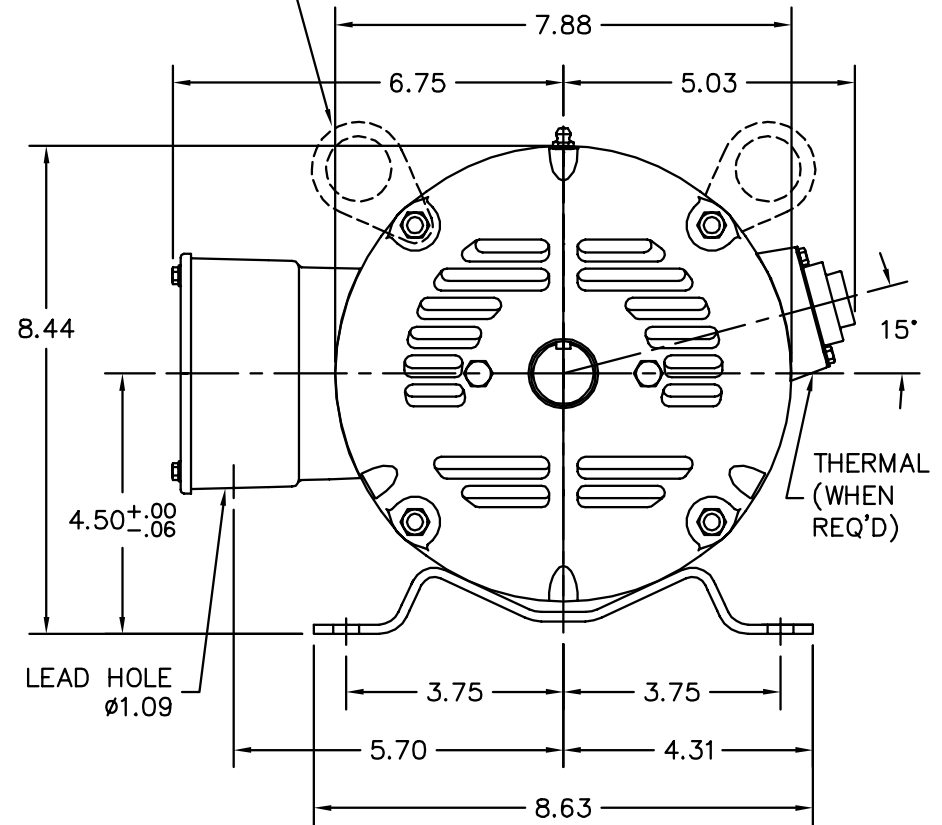
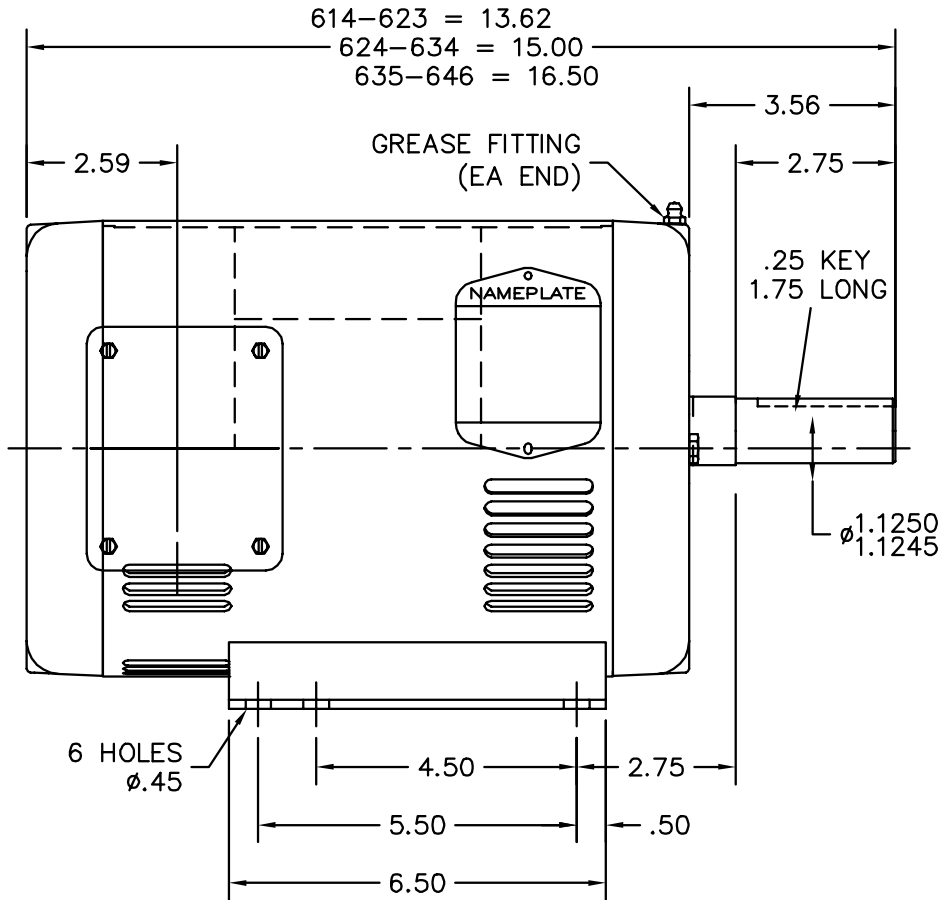


1 LUG EA END  
DIAGONALLY SPACED  
(624-646 STACKS ONLY)



PU END DETAIL

CUSTOMER IS RESPONSIBLE FOR DETERMINING THAT BALDOR'S PRODUCT WILL PERFORM SUITABLY IN THE INTENDED APPLICATION.

REV. DESC: CHG LIFTING LUG STACKS FROM 635-646 TO 624-646		
REV. LTR: B	VERSION: 02	TDR: 000001078166
FILE: \AAA\00174\561	REVISED: 02:14:55 07/13/2018	BY: ENELLGO
MTL: -	⊙ □	

**BALDOR - RELIANCE®**

HOR 182-4T OPSB M, AEGIS INT GND

SH 1 of 1