

PRODUCT INFORMATION PACKET



Model No: C42P17FZ1B

Catalog No: 096004.00

PE350...58:1.29/24RPM.270LBIN..16HP.P42Y...AC GEARMOTORS SUB-
FHP.115/230V.1PH.60/50HZ.TEFC.C42P17FZ1B

PE350 Series



Regal and Leeson are trademarks of Regal Beloit Corporation or one of its affiliated companies.

©2018 Regal Beloit Corporation, All Rights Reserved. MC017097E





Nameplate Specifications

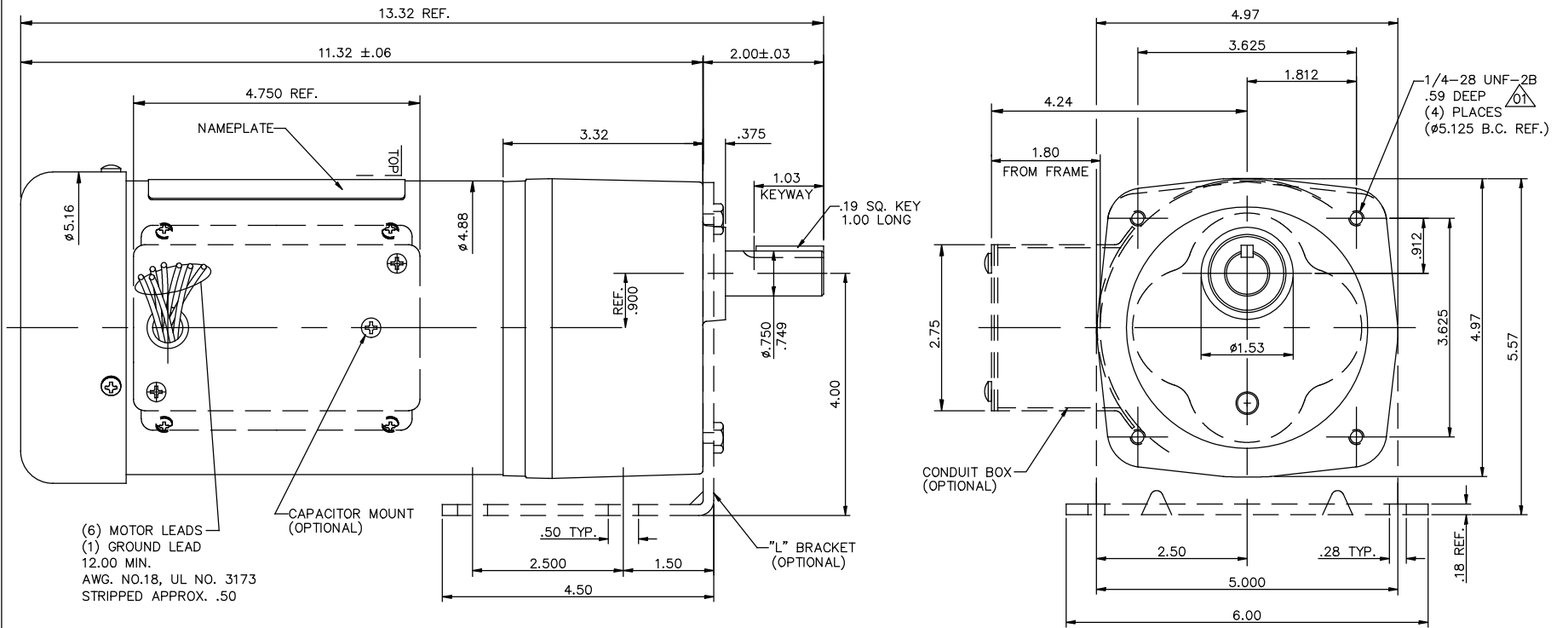
Output HP	0.16 Hp	Output KW	0.12 kW
Frequency	60 Hz	Voltage	110 V
Current	2.9/1.5 A	Speed	29 rpm
Service Factor	1	Phase	1
Duty	Continuous	Insulation Class	F
KVA Code	H	Frame	P42Y
Enclosure	Totally Enclosed Fan Cooled	Overload Protector	No
Ambient Temperature	40 °C	Drive End Bearing Size	6203
Opp Drive End Bearing Size	6201	UL	Recognized
CSA	Y	CE	N

Technical Specifications

Rotation	Reversible	Mounting	Special
Shaft Type	Parallel	Overall Length	13.32 in
Frame Length	6.25 in	Shaft Diameter	0.750 in
Shaft Extension	1.625 in		
Outline Drawing	027689-096004	Connection Diagram	005108.05

This is an uncontrolled document once printed or downloaded and is subject to change without notice. Date Created: 10/15/2018

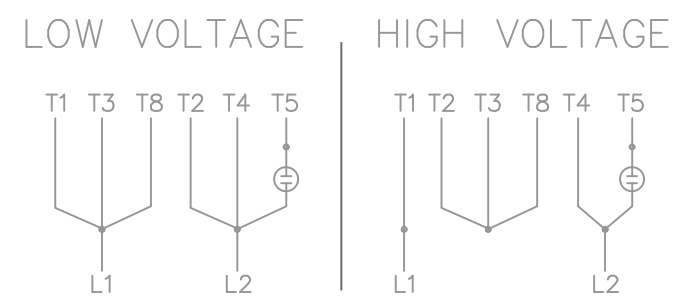
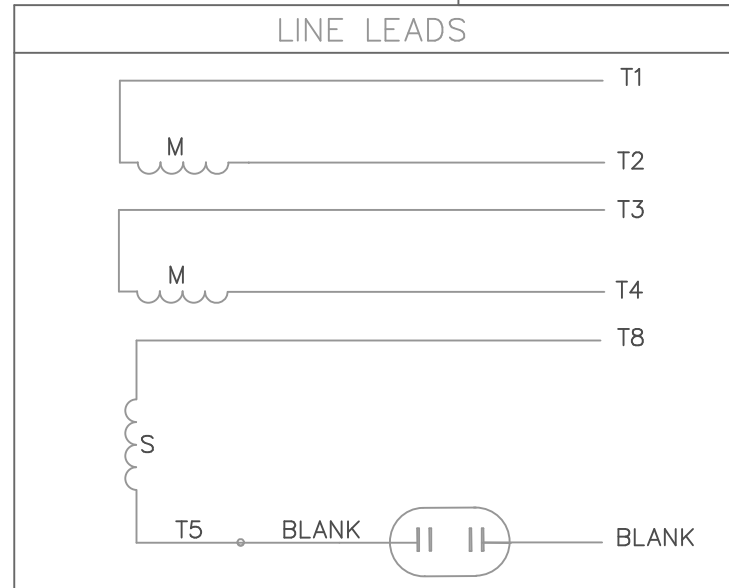
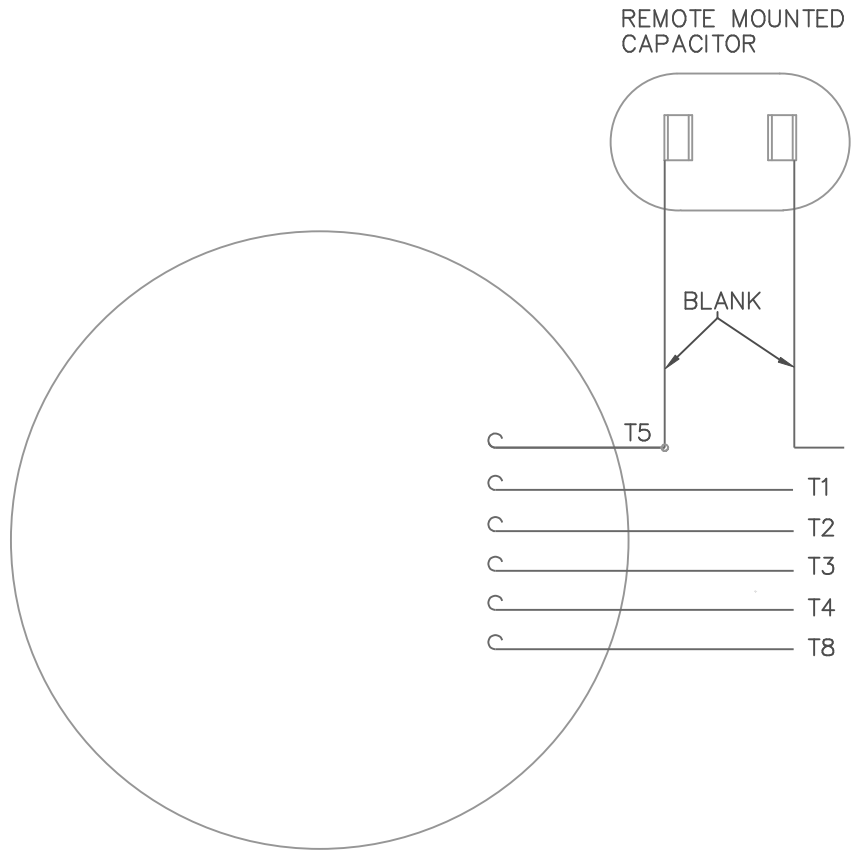
027689



CATALOG NUMBER	OUTPUT RPM	FULL LOAD TORQUE LB.-IN.	INPUT HP	OVERHUNG LOAD LBS.	RATIO TO 1
096004.00	29	270	1/6	327	58
096005.00	34	250	1/6	330	50
096006.00	40	180	1/6	303	43
096007.00	59	135	1/6	267	29
096008.00	75	90	1/6	256	23
096009.00	113	68	1/6	222	15
096010.00	160	45	1/6	196	10
096011.00	340	25	1/6	190	5

				TOLERANCES UNLESS OTHERWISE SPECIFIED		LEESON ELECTRIC CORPORATION			
				DECIMALS		DRAWN DWF 7/14/97			
				.00	± .01	CH'K'D.		TITLE	
				.000	± .005	APPR.		OUTLINE DRAWING	
				.0000	± .0005	SCALE 1=1.5		42 FRAME PE350 STOCK	
NO.	REVISION	BY	DATE	FRACTIONS	± 1/64	REF.	PR970359	FINISH	LEESON
01	THREAD DEEPHT WAS .63"	JD	06/06/17	ANGLES	± 1/2°	FMF	092141.00	STOCK	
THIS DRAWING IN DESIGN AND DETAIL IS OUR PROPERTY AND MUST NOT BE USED EXCEPT IN CONNECTION WITH OUR WORK ALL RIGHTS OF DESIGN AND INVENTION ARE RESERVED				INCH/MM		SIZE	B	DRAWING NO.	027689

VIEW FROM OUTSIDE OF MOTOR AT LEAD END.



2 STAGE:
C.C.W. ROTATION FACING LEAD END AS SHOWN
INTERCHANGE LEADS T5 & T8 FOR C.W.

3 STAGE:
CW ROTATION FACING LEAD END AS SHOWN
INTERCHANGE LEADS T5 & T8 FOR CCW

				TOLERANCES UNLESS OTHERWISE SPECIFIED		LEESON ELECTRIC CORPORATION					
				DECIMALS							
				.00	± .01	DRAWN DBT	07/21/97	TITLE		EXTERNAL WIRING DIAGRAM	
				.000	± .005	CH'K'D.		MAT'L.		TAG - 080689.02 - 2 STAGE	
				.0000	± .0005	APPR.		TAG - 080689.01 - 3 STAGE			
NO.	REVISION	BY	DATE	FRACTIONS	± 1/64	SCALE	1=1	FINISH	LEESON	SIZE	DRAWING NO.
THIS DRAWING IN DESIGN AND DETAIL IS OUR PROPERTY AND MUST NOT BE USED EXCEPT IN CONNECTION WITH OUR WORK ALL RIGHTS OF DESIGN AND INVENTION ARE RESERVED				ANGLES	± 1/2°	REF.	005018-01	GEARMOTORS	A	005108-05	
				INCH/MM		FMF					