

PRODUCT INFORMATION PACKET



Model No: C42T17FZ33A

Catalog No: 096070.00

PE350 .25HP..345RPM.42YFR.TEFC.208-230/460V.3PH.60HZ.CONT..40C.1 S.F..SPECIAL.INVERTER
RATED.C42T17FZ33A

PE350 Series



Regal and Leeson are trademarks of Regal Beloit Corporation or one of its affiliated companies.

©2018 Regal Beloit Corporation, All Rights Reserved. MC017097E





Nameplate Specifications

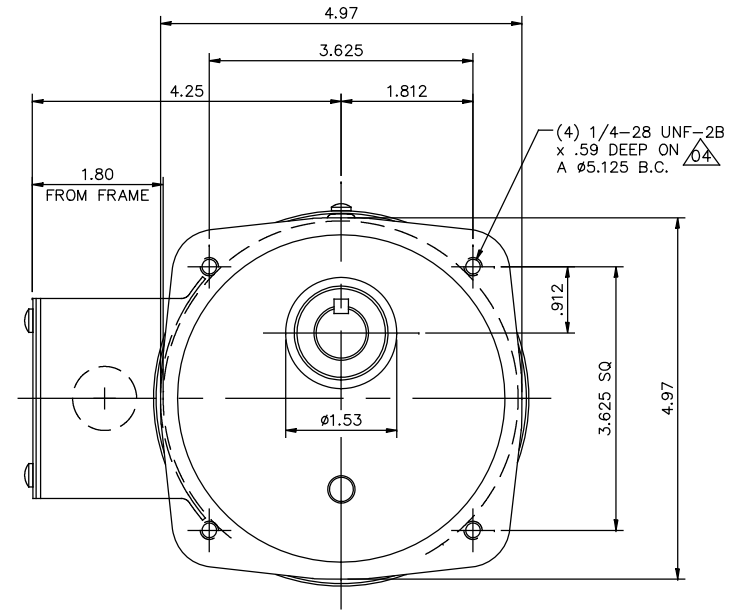
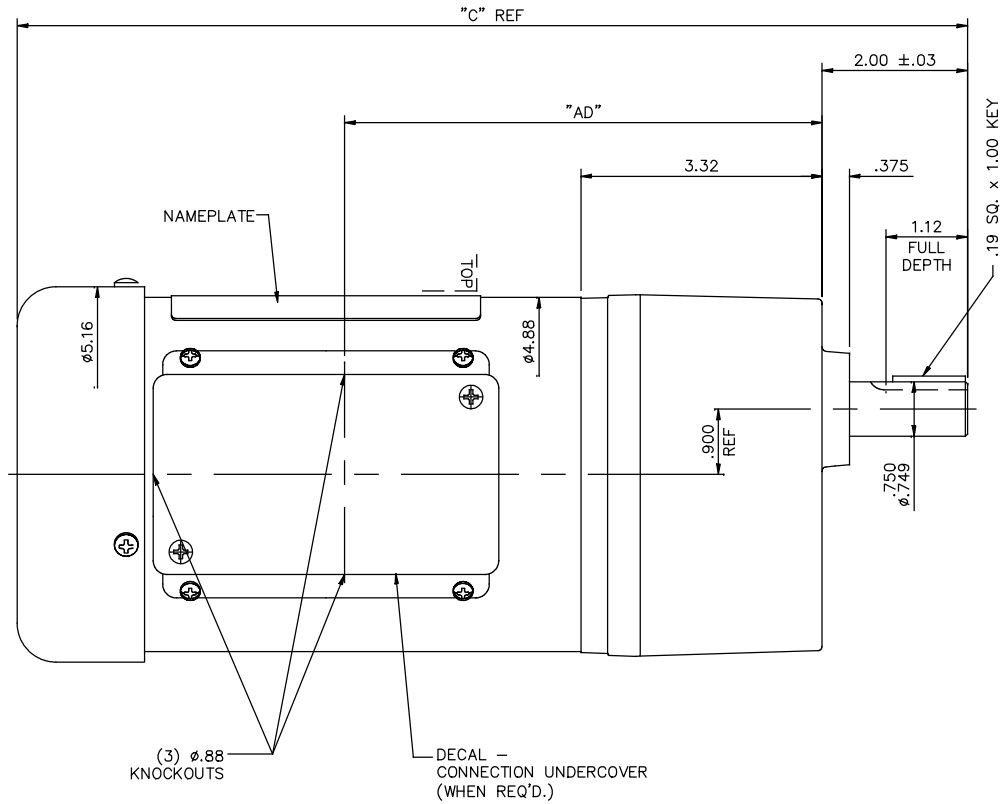
Output HP	0.25 Hp	Output KW	0.19 kW
Frequency	60 Hz	Voltage	208-230/460 V
Current	1.2/0.60 A	Speed	345 rpm
Service Factor	1	Phase	3
Duty	Continuous	Insulation Class	F
KVA Code	L	Frame	42Y
Enclosure	Totally Enclosed Fan Cooled	Overload Protector	No
Ambient Temperature	40 °C	Drive End Bearing Size	6203
Opp Drive End Bearing Size	6201	UL	Recognized
CSA	Y	CE	N

Technical Specifications

Rotation	Reversible	Mounting	Special
Shaft Type	Parallel	Overall Length	13.07 in
Frame Length	6.00 in	Shaft Diameter	0.750 in
Shaft Extension	1.625 in		
Outline Drawing	027874-096070	Connection Diagram	005010.01

This is an uncontrolled document once printed or downloaded and is subject to change without notice. Date Created: 10/15/2018

027874



CATALOG NUMBER	OUTPUT RPM	FULL LOAD TORQUE LB.-IN.	INPUT HP	OVERHUNG LOAD LBS.	RATIO TO 1	"C"	"AD"
096065.00	9	341	1/6	327	180	13.07	6.56
096066.00	29	300	1/4	327	58	13.07	6.56
096067.00	58	244	1/4	327	30	13.07	6.56
096068.00	85	165	1/4	327	20	13.07	6.56
096069.00	173	92	1/4	327	10	13.07	6.56
096070.00	345	50	1/4	327	5	13.07	6.56

NO.	REVISION	BY & DATE	CHK	ANG	±1/2"	FINISH	PREV
04	THREAD DEPTH WAS .63"	JD 06/06/17					
03	ADDED 096065.00 TO PRINT	RDW 4/18/07	KH	.X	±.1		
02	096070.00 RPM WAS 58, TORQUE WAS 244 & RATIO WAS 30	RDW 12/14/05	SW	.XX	±.03		
01	ADDED PERFORMANCE ATTRIBUTES TABLE	RLW 7/7/05		.XXX	±.005		
				.XXXX	±.0005		

THIS DRAWING IN DESIGN AND DETAIL IS OUR PROPERTY AND MUST NOT BE USED EXCEPT IN CONNECTION WITH OUR WORK. ALL RIGHTS OF DESIGN AND INVENTION ARE RESERVED. THIS IS AN ELECTRONICALLY GENERATED DOCUMENT - DO NOT SCALE THIS PRINT		RFP	CAD FILE	027874	SIZE	DRAWING NO.	REV.
		DIST			B	027874	04

GASKETS THROUGHOUT



ELECTRIC MOTORS
GEARMOTORS
AND DRIVES

TITLE: OUTLINE - 42Y FRAME
TEFC - PE350 GEARMOTOR

005010-01

VIEW FROM OUTSIDE OF MOTOR AT SWITCH END.



VOLTAGE	L1	L2	L3	JOIN & INSULATE
HIGH	T1	T2	T3	(T4,T7) (T5,T8) (T6,T9)
LOW	T1,T7	T2,T8	T3,T9	T4,T5,T6

		TOLERANCES UNLESS SPECIFIED		REGAL™ Regal Beloit America, Inc.		DRAWN RDW 04/12/02	
						CHK	APPD
		DEC.	INCHES	TITLE EXTERNAL WIRING DIAGRAM 3 PHASE W/O PROTECTOR	SCALE 1=1		
		.X	±.1		REF FIG.2-51		
		.XX	±.01		FMF		
		.XXX	±.005		PREV		
A	UPDATED TO REGAL LOGO	SAJ 06/26/15	AJY .XXXX ±.0005	MAT'L.	DECAL - 004014		
NO.	REVISION	BY & DATE	CHK ANG ±1/2"	FINISH			
THIS DRAWING IN DESIGN AND DETAIL IS OUR PROPERTY AND MUST NOT BE USED EXCEPT IN CONNECTION WITH OUR WORK ALL RIGHTS OF DESIGN AND INVENTION ARE RESERVED THIS IS AN ELECTRONICALLY GENERATED DOCUMENT - DO NOT SCALE THIS PRINT				RFP 04/12/02	CAD FILE 00501001	SIZE A	DRAWING NO. 005010-01
				DIST BRF-NLV			REV. A