

# Hub City™ Worm Gear Drives

## Single Reduction

### PowerCubeX® Worm Speed Reducer Catalog Ratings

#### Series 130

SERIES	INPUT RPM	RATIO	OUTPUT RPM	CONVENTIONAL OIL				PAO SYNTHETIC OIL			PAG SYNTHETIC OIL		
				MECH. INPUT HP	EFF. %	MECH. OUTPUT TORQUE	THERMAL INPUT HP	THERMAL OUTPUT TORQUE	INPUT HP	EFF. %	OUTPUT TORQUE	INPUT HP	EFF. %
130	2500	5	500	1.65	85.9	178	THERMAL EQUALS MECHANICAL	1.65	91.1	189	1.65	93.9	195
		7.5	333	1.30	84.9	208		1.30	90.0	221	1.30	92.8	227
		10	250	1.05	82.8	218		1.05	87.8	231	1.05	90.5	238
		15	167	0.78	79.4	234		0.78	84.2	248	0.78	86.8	256
		20	125	0.62	76.9	240		0.62	81.5	254	0.62	84.0	262
		25	100	0.52	73.2	241		0.52	77.6	255	0.52	80.1	263
		30	83.3	0.45	70.5	241		0.45	74.7	256	0.45	77.0	263
		40	62.5	0.35	66.5	239		0.36	70.5	253	0.36	72.7	261
		50	50.0	0.29	63.4	231		0.29	67.3	245	0.29	69.3	253
		60	41.7	0.245	59.4	220		0.245	63.0	233	0.245	64.9	240
	80	31.3	0.163	55.0	181	0.163	58.3	192	0.163	60.1	198		
	100	25.0	0.111	50.6	142	0.111	53.6	150	0.111	55.2	155		
	1750	5	350	1.38	85.0	211	THERMAL EQUALS MECHANICAL	1.38	90.1	224	1.38	92.9	231
		7.5	233	1.06	83.9	240		1.06	88.9	254	1.06	91.7	262
		10	175	0.86	81.4	253		0.86	86.3	269	0.86	89.0	277
		15	117	0.65	77.6	271		0.65	82.3	287	0.65	84.8	296
		20	87.5	0.51	74.8	275		0.51	79.3	291	0.51	81.7	300
		25	70.0	0.44	70.8	278		0.44	75.0	295	0.44	77.3	304
		30	58.3	0.38	67.8	279		0.38	71.8	295	0.38	74.1	304
		40	43.8	0.30	63.5	274		0.30	67.3	290	0.30	69.4	299
		50	35.0	0.242	60.3	262		0.242	63.9	278	0.242	65.9	287
		60	29.2	0.207	56.0	250		0.207	59.4	265	0.207	61.2	274
	80	21.9	0.137	51.5	203	0.137	54.6	215	0.137	56.3	222		
	100	17.5	0.094	47.1	159	0.094	49.9	168	0.094	51.4	174		
	1170	5	234	1.06	83.9	240	THERMAL EQUALS MECHANICAL	1.06	88.9	255	1.06	91.7	263
		7.5	156	0.80	82.6	268		0.80	87.6	284	0.80	90.3	293
		10	117	0.66	79.8	285		0.66	84.6	302	0.66	87.2	311
		15	78.0	0.50	75.5	304		0.50	80.0	322	0.50	82.5	332
		20	58.5	0.39	72.4	306		0.39	76.8	324	0.39	79.1	334
		25	46.8	0.34	68.0	311		0.34	72.1	330	0.34	74.3	340
		30	39.0	0.30	64.7	311		0.30	68.6	330	0.30	70.7	340
		40	29.3	0.234	60.3	304		0.234	63.9	322	0.234	65.9	332
		50	23.4	0.189	56.9	289		0.189	60.4	307	0.189	62.2	316
		60	19.5	0.163	52.5	277		0.163	55.6	293	0.163	57.3	302
	80	14.6	0.108	48.0	222	0.108	50.9	236	0.108	52.4	243		
	100	11.7	0.074	43.5	173	0.074	46.1	184	0.074	47.6	190		
	100	5	20.0	0.125	77.7	305	THERMAL EQUALS MECHANICAL	0.125	82.3	324	0.125	84.9	334
		7.5	13.3	0.091	76.1	329		0.091	80.6	349	0.091	83.1	359
		10	10.0	0.078	71.5	353		0.078	75.8	374	0.078	78.1	385
		15	6.7	0.061	65.2	374		0.061	69.2	397	0.061	71.3	409
20		5.0	0.048	61.3	371	0.048		65.0	394	0.048	67.0	406	
25		4.0	0.044	55.3	383	0.044		58.6	406	0.044	60.4	418	
30		3.3	0.039	51.3	383	0.039		54.4	406	0.039	56.1	418	
40		2.5	0.031	46.5	369	0.031		49.3	391	0.031	50.8	403	
50		2.0	0.025	43.3	346	0.025		45.9	367	0.025	47.3	379	
60		1.7	0.023	38.6	333	0.023		40.9	353	0.023	42.2	363	
80	1.3	0.015	34.7	263	0.015	36.8	279	0.015	37.9	287			
100	1.0	0.011	30.8	204	0.011	32.6	216	0.011	33.6	223			

ADDITIONAL RATINGS FOR OTHER INPUT SPEEDS ARE AVAILABLE AT [WWW.REGALBELOIT.COM](http://WWW.REGALBELOIT.COM)

#### OVERHUNG LOAD AND THRUST LOAD INFORMATION

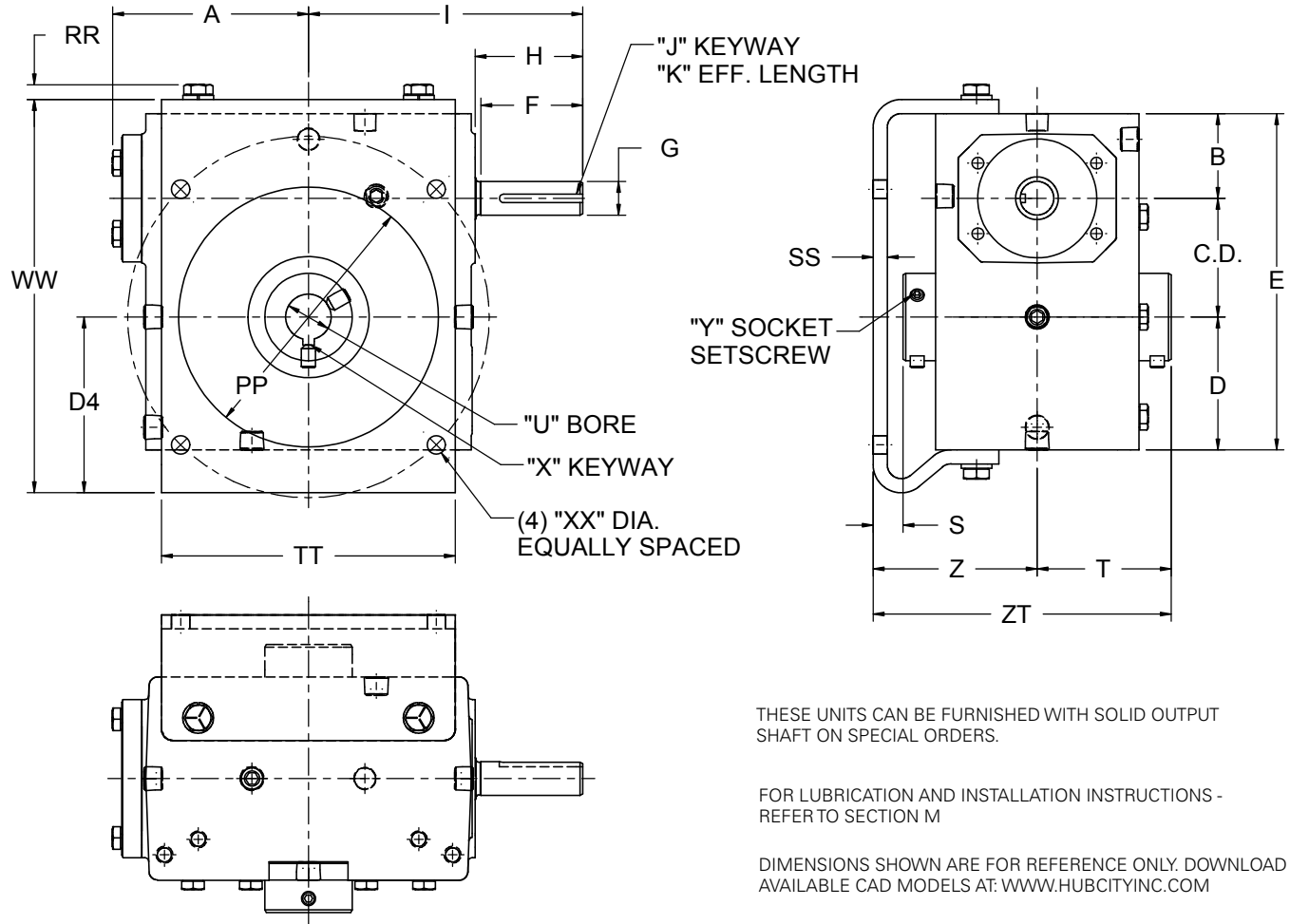
OVERHUNG LOAD - LOW SPEED SHAFT — MODELS 131 AND 134 225 LBS. AT CENTER POINT OF SHAFT EXTENSION.  
 †OHL AND THRUST VALUES SHOWN ARE INDEPENDENT FUNCTIONS AND CANNOT BE APPLIED SIMULTANEOUSLY.  
 REFER APPLICATIONS WITH COMBINED OHL AND THRUST TO REGAL CUSTOMER SERVICE DEPARTMENT.

OUTPUT TORQUE VALUES SHOWN ARE INCH-POUNDS (IN-LB).

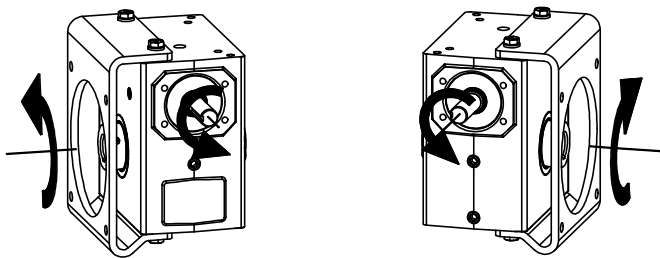
# Hub City™ Worm Gear Drives

## Single Reduction Models

133, 183, 213, 243, 263, 323, 383 (STEEL BRACKET)



### Standard Styles Available



STYLE "L"

STYLE "R"

CONSULT FACTORY FOR VERTICAL SHAFT LUBRICATION RECOMMENDATIONS. INPUT SHAFT CAN BE ROTATED IN EITHER DIRECTION.

# Hub City™ Worm Gear Drives

## Single Reduction Models

133, 183, 213, 243, 263, 323, 383 (STEEL BRACKET)

MODEL	C.D.	A	B	D	E	F	G	H	I	J	K
133	1.334	2.61	1.186	1.562	4.082	1.67	.500/.4985	1.76	3.82	1/8 X 1/16 P&W	1.44
183	1.751	3.23	1.374	1.875	5.000	N/A	.625/.6235	1.76	4.44	3/16 X 3/32 P&W	1.50
213	2.064	3.61	1.500	2.437	6.000	N/A	.625/.6235	1.76	4.82	3/16 X 3/32 P&W	1.50
243 *	2.376	3.77	2.061	2.500	6.937	2.38	.750/.7485	2.38	5.51	3/16 X 3/32 P&W	1.75
263	2.626	4.33	1.874	2.938	7.438	2.36	.750/.7485	2.38	6.07	3/16 X 3/32 P&W	1.75
323	3.251	5.28	2.124	3.250	8.625	N/A	.875/.8735	2.38	6.75	3/16 X 3/32 P&W	1.75
383	3.751	4.90	2.374	3.937	10.062	2.20	1.000/.999	2.48	7.38	1/4 X 1/8 P&W	1.91

\* Model 243 also available with cast F-flange as either an add-on kit (see page B-103) or as a special assembly (consult factory).

MODEL	D4	PP	RR	SS	TT	WW	XX	YY	Wt. Lbs.
133	2.50	3.62	0.22	0.19	4.25	5.22	11/32	5.000	18
183	3.13	4.25	0.22	0.25	4.88	6.50	11/32	5.875	18
213	3.75	4.75	0.33	0.31	5.75	7.63	13/32	7.000	29
243	3.61	5.00	0.33	0.25	6.00	8.30	13/32	7.500	43
263	3.89	5.75	0.33	0.31	6.75	8.70	13/32	8.000	43
323	4.45	6.88	0.44	0.31	7.50	10.14	13/32	9.000	74
383	5.09	7.50	0.44	0.31	8.25	11.53	9/16	10.000	92

### Stock Output Bores

MINIMUM AND MAXIMUM BORE DIMENSIONS SHOWN.  
FOR ADDITIONAL STOCK OUTPUT BORE SIZES  
AVAILABLE SEE PAGE B-96.

MODEL	U (MIN.)	U (MAX.)	S	T	Z	ZT
133	N/A	5/8	0.75	2.25	3.00	5.25
183	15/16	1	0.91	2.41	3.31	5.71
213	15/16	1-1/2	0.85	2.78	3.63	6.41
243	1	1-1/2	0.75	2.97	3.72	6.69
263	1	1-1/2	0.66	2.97	3.63	6.60
323	1-7/16	2-3/16	0.22	3.78	4.00	7.78
383	1-7/16	2-3/16	0.72	3.78	4.50	8.28

BORE TOLERANCE NOMINAL + .002



Select hollow output bore models in this product line are now available with the HubLoc® keyless bushing system. Refer to pages i and ii at front of this catalog for features, available sizes, and ordering information.