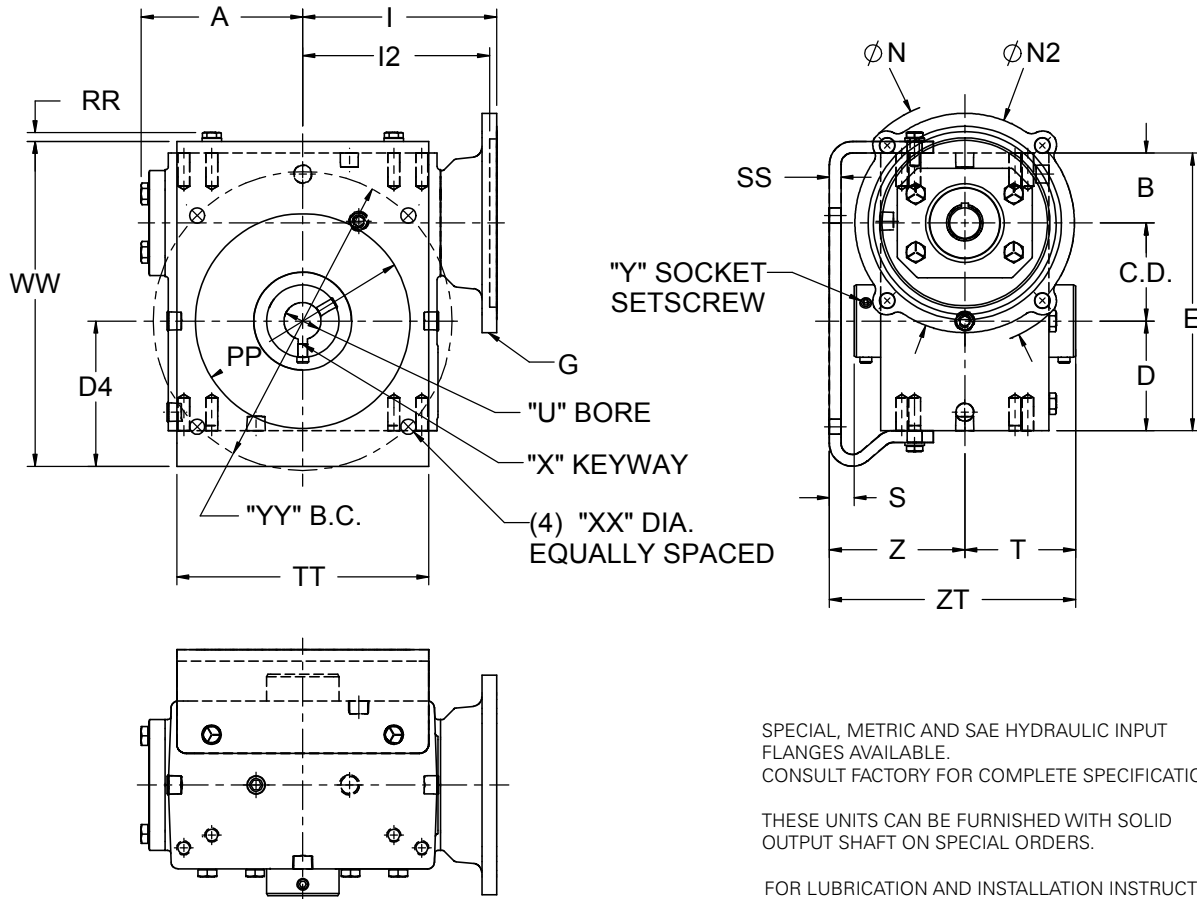


# Hub City™ Worm Gear Drives

## Single Reduction Models

136, 186, 216, 246, 266, 326, 386 (STEEL BRACKET)



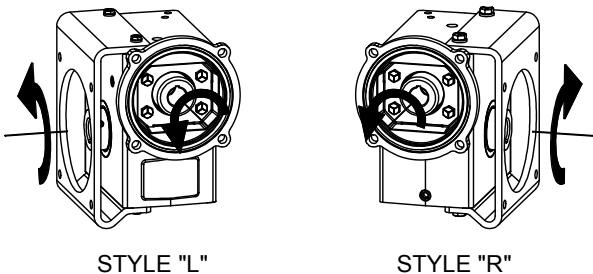
SPECIAL, METRIC AND SAE HYDRAULIC INPUT FLANGES AVAILABLE. CONSULT FACTORY FOR COMPLETE SPECIFICATIONS.

THESE UNITS CAN BE FURNISHED WITH SOLID OUTPUT SHAFT ON SPECIAL ORDERS.

FOR LUBRICATION AND INSTALLATION INSTRUCTIONS - REFER TO SECTION M

DIMENSIONS SHOWN ARE FOR REFERENCE ONLY. DOWNLOAD AVAILABLE CAD MODELS AT: [WWW.HUBCITYINC.COM](http://WWW.HUBCITYINC.COM)

### Standard Styles Available



CONSULT FACTORY FOR VERTICAL SHAFT LUBRICATION RECOMMENDATIONS. INPUT SHAFT CAN BE ROTATED IN EITHER DIRECTION.

# Hub City™ Worm Gear Drives

## Single Reduction Models

136, 186, 216, 246, 266, 326, 386 (STEEL BRACKET)

MODEL	C.D.	A	B	D	E	G	I	I2	N	N2		
136	1.334	2.61	1.186	1.562	4.082	48CZ	3.46	N/A	4.36	3.87		
						56C			6.63	6.50		
186	1.751	3.23	1.374	1.875	5.000	48CZ	4.09	N/A	4.36	3.87		
						56C			6.63	6.50		
						143TC			6.63	6.50		
216	2.064	3.61	1.500	2.437	6.000	48CZ	4.46	N/A	4.36	3.87		
						56C			6.63	6.50		
						143TC			6.63	6.50		
246 *	2.376	3.77	2.061	2.500	6.937	56C	4.63	N/A	6.50	6.50		
						143TC			6.50	6.50		
						182TC			N/A	5.06	9.00	9.00
266	2.626	4.33	1.874	2.938	7.438	56C	5.19	N/A	6.50	6.50		
						143TC			6.50	6.50		
						182TC			N/A	5.81	9.00	9.00
326	3.251	5.28	2.124	3.250	8.625	56C	6.14	N/A	6.50	6.50		
						143TC			6.50	6.50		
						182TC			N/A	6.34	9.00	9.00
						213TC			N/A	6.90	9.00	9.00
386	3.751	4.90	2.374	3.937	10.062	56C	6.50	N/A	6.50	6.50		
						143TC			6.50	6.50		
						182TC			N/A	6.88	9.00	9.00

\* Model 246 also available with cast F-flange as either an add-on kit (see page B-103) or as a special assembly (consult factory).

MODEL	G	D4	PP	RR	SS	TT	WW	XX	YY	Wt. Lbs.
136	48CZ	2,50	3,62	0,22	0,19	4,25	5,22	11/32	5,000	18
	56C									
186	48CZ	3,13	4,25	0,22	0,25	4,88	6,50	11/32	5,875	18
	56C									
	143TC									
216	48CZ	3,75	4,75	0,33	0,31	5,75	7,63	13/32	7,000	29
	56C									
	143TC									
246	56C	3,61	5,00	0,33	0,25	6,00	8,30	13/32	7,500	43
	143TC									
	182TC									
266	56C	3,89	5,75	0,33	0,31	6,50	8,70	13/32	8,000	43
	143TC									
	182TC									
326	56C	4,45	6,88	0,44	0,31	7,50	10,14	13/32	9,000	74
	143TC									
	182TC									
	213TC									
386	56C	5,09	7,50	0,44	0,31	8,25	11,53	9/16	10,000	92
	143TC									
	182TC									

### Stock Output Bores

MINIMUM AND MAXIMUM BORE DIMENSIONS SHOWN.FOR ADDITIONAL STOCK OUTPUT BORE SIZES AVAILABLE SEE PAGE B-96.

MODEL	G	U (MIN.)	U (MAX.)	S	T	Z	ZT
136	48CZ	N/A	5/8	0,75	2,25	3,00	5,25
	56C						
186	48CZ	15/16	1	0,91	2,41	3,31	5,71
	56C						
	143TC						
216	48CZ	15/16	1-1/2	0,85	2,78	3,63	6,41
	56C						
	143TC						
246	56C	1	1-1/2	0,75	2,97	3,72	6,69
	143TC						
	182TC						
266	56C	1	1-1/2	0,66	2,97	3,62	6,59
	143TC						
	182TC						
326	56C	1-7/16	2-3/16	0,22	3,78	4,00	7,78
	143TC						
	182TC						
	213TC						
386	56C	1-7/16	2-3/16	0,72	3,78	4,50	8,28
	143TC						
	182TC						



Select hollow output bore models in this product line are now available with the HubLoc® keyless bushing system. Refer to pages i and ii at front of this catalog for features, available sizes, and ordering information.

EMAIL: [hubsales@regalbelloit.com](mailto:hubsales@regalbelloit.com) • [www.regalbelloit.com](http://www.regalbelloit.com)

