

Hub City™ Worm Gear Drives

Single Reduction GW Series Catalog Ratings

Series GW60

SERIES	INPUT RPM	RATIO	OUTPUT RPM	MECH. INPUT HP	CONVENTIONAL OIL		PAO SYNTHETIC OIL		PAG SYNTHETIC OIL	
					EFF. %	MECH. OUTPUT TORQUE	EFF. %	MECH. OUTPUT TORQUE	EFF. %	MECH. OUTPUT TORQUE
GW60	1750	5	341.5	35.1	96.0	6068	96.9	6129	97.9	6189
		7.5	236.5	29.9	95.1	7704	96.5	7820	97.5	7897
		10	179.5	24.9	94.0	8467	96.4	8679	97.3	8763
		15	119.3	19.2	91.5	9515	93.8	9753	95.2	9896
		20	85.4	15.7	89.5	10127	91.7	10380	93.5	10583
		25	71.4	13.0	87.1	10245	89.3	10501	91.0	10706
		30	59.3	11.1	84.8	10249	86.9	10505	88.6	10710
		40	43.8	8.72	81.2	10203	83.2	10458	84.8	10662
		50	35	7.24	77.2	10079	79.2	10331	80.7	10533
		60	29.2	6.15	73.7	9808	75.6	10053	77.1	10249
	80	21.9	3.70	68.1	7264	69.8	7446	71.1	7591	
	100	17.5	2.57	63.5	5886	65.1	6033	66.4	6151	
	1170	5	228.3	29.9	95.8	7726	96.7	7803	97.7	7881
		7.5	158.1	25.4	94.8	9740	96.3	9886	97.2	9984
		10	120	21.1	93.7	10687	96.0	10954	97.0	11061
		15	79.8	16.3	91.1	11996	93.3	12296	94.7	12476
		20	57.1	13.3	88.8	12758	91.1	13077	92.8	13332
		25	47.8	11.0	86.3	12903	88.5	13226	90.2	13484
		30	39.7	9.50	84.0	12911	86.1	13234	87.8	13492
		40	29.3	7.43	80.2	12848	82.2	13169	83.8	13426
		50	23.4	6.18	76.1	12691	78.0	13008	79.5	13262
		60	19.5	5.26	72.5	12352	74.3	12661	75.8	12908
	80	14.6	3.31	64.0	9142	65.6	9371	66.8	9553	
	100	11.7	2.32	59.2	7408	60.7	7593	61.9	7741	
	100	5	19.5	6.20	89.9	17587	90.8	17763	91.7	17939
		7.5	13.5	5.01	87.1	20662	88.4	20972	89.2	21179
		10	10.3	4.19	84.3	22324	86.4	22882	87.3	23105
		15	6.8	3.33	78.6	24797	80.5	25417	81.7	25789
		20	4.9	2.80	74.0	26194	75.9	26849	77.4	27373
		25	4.1	2.41	69.4	26436	71.1	27097	72.5	27626
		30	3.4	2.14	65.3	26480	66.9	27142	68.2	27672
		40	2.5	1.76	59.1	26260	60.6	26917	61.8	27442
		50	2	1.54	53.3	25925	54.6	26573	55.7	27092
		60	1.7	1.37	48.6	25283	49.8	25915	50.8	26421
	80	1.3	0.95	40.2	19249	41.2	19730	42.0	20115	
	100	1	0.68	35.5	15389	36.4	15774	37.1	16082	

OVERHUNG LOAD AND THRUST LOAD INFORMATION

NOTE: ALL TORQUE VALUES LISTED IN INCH-POUNDS, ALL OVERHUNG LOAD VALUES LISTED IN POUNDS. THE POINT OF APPLICATION OF THE OVERHUNG LOAD IS CONSIDERED TO BE ONE SHAFT DIAMETER MEASURED OUTWARD FROM THE GEAR CASE HOUSING. AT SPEEDS ABOVE 1750 RPM, UNITS MAY BECOME THERMALLY LIMITED. FOR EXTENDED OPERATION, LIMIT INPUT HP TO 1750 RPM CATALOG RATING.

Thrust and Overhung Load Ratings (Lbs.)	GW60
Thrust Load Ratings (Low Speed Shaft, All Ratios)	3990
Overhung Load Capacity* (High Speed Shaft, All Ratios)	450
Overhung Load Capacity* (Low Speed Shaft, All Ratios)	3723
Overhung Load Capacity** (Extended Brg Design Output Shaft, All Ratios)	2245

* OHL AND THRUST VALUES SHOWN ARE INDEPENDENT FUNCTIONS AND CANNOT BE APPLIED SIMULTANEOUSLY. REFER APPLICATIONS WITH COMBINED OHL AND THRUST TO HUB CITY CUSTOMER SERVICE DEPARTMENT.

* THE POINT OF APPLICATION OF THE OVERHUNG LOAD IS CONSIDERED TO BE ONE SHAFT DIAMETER MEASURED OUTWARD FROM THE GEARCASE HOUSING.

** LOAD LOCATED AT END OF OUTPUT SHAFT.

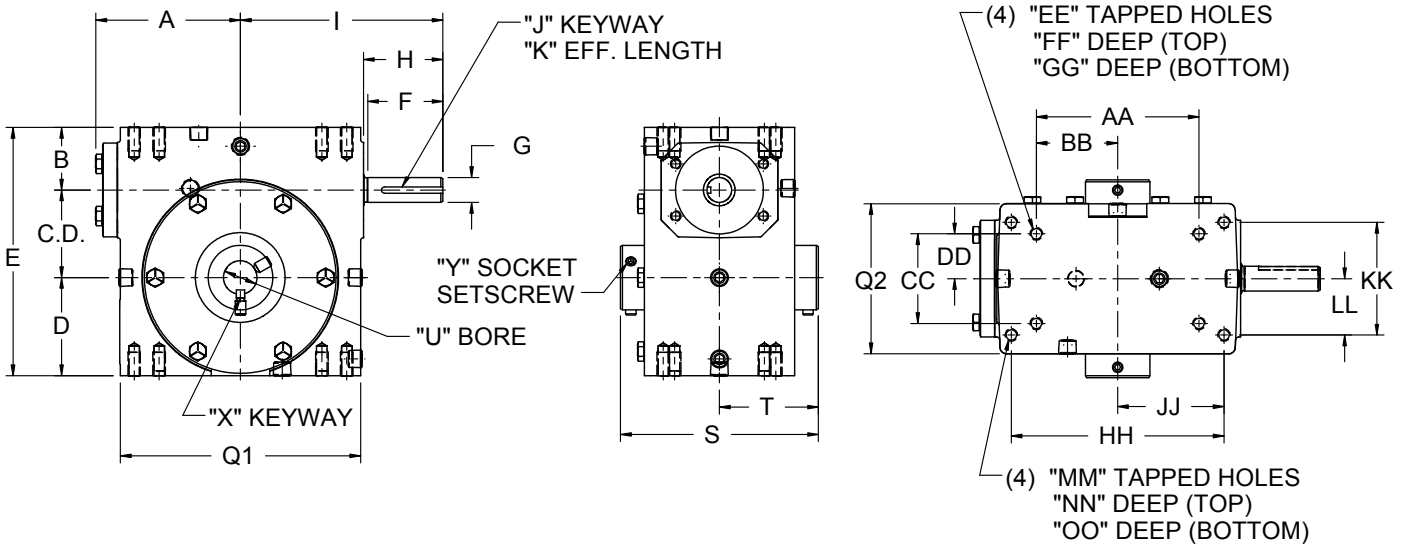
ADDITIONAL RATINGS FOR OTHER INPUT SPEEDS ARE AVAILABLE AT WWW.REGALBELOIT.COM

OUTPUT TORQUE VALUES SHOWN ARE INCH-POUNDS (IN-LB).

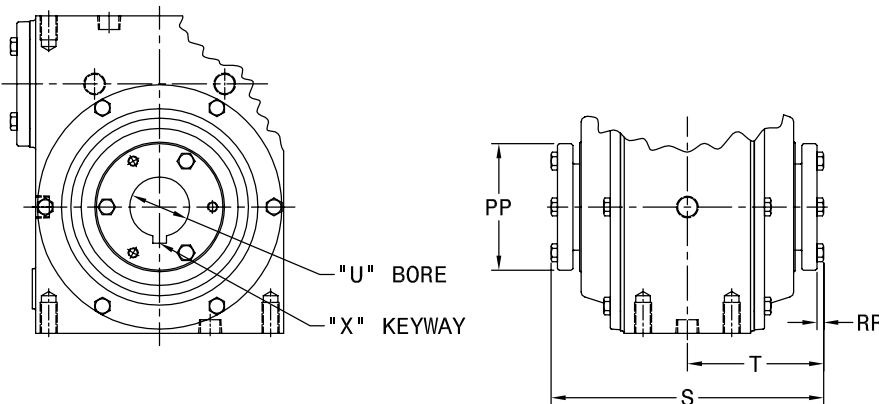
Hub City™ Worm Gear Drives

Single Reduction Models

132, 152, 182, 212, 242, 262, 302, 322, 382, 422, 452, 522, GW602, GW702, GW802, GW1002



QD™ Bushing Detail for Models 452, 522



THESE UNITS CAN BE FURNISHED WITH SOLID OUTPUT SHAFT ON SPECIAL ORDERS.

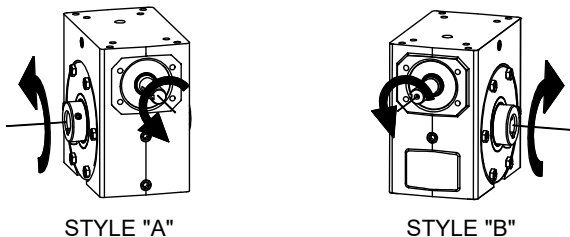
SHAFT MOUNTED UNITS REQUIRE TORQUE ARMS. TORQUE ARM KITS ARE AVAILABLE. SEE PAGE B-105.

ALL GW MODELS ARE FAN COOLED REFER TO FAN DETAILS ON NEXT PAGE.

FOR LUBRICATION AND INSTALLATION INSTRUCTIONS - REFER TO SECTION M

DIMENSIONS SHOWN ARE FOR REFERENCE ONLY. DOWNLOAD AVAILABLE CAD MODELS AT: WWW.HUBCITYINC.COM

Standard Styles Available



STYLE "A"

STYLE "B"

CONSULT FACTORY FOR VERTICAL SHAFT LUBRICATION RECOMMENDATIONS.

INPUT SHAFT CAN BE ROTATED IN EITHER DIRECTION.

NOTE: STYLE "A" SUPPLIED AS STANDARD UNLESS SPECIFIED OTHERWISE.

NOTE: STYLE B DOES NOT APPLY TO MODELS 452 AND LARGER. HOUSINGS HAVE A COVER ON BOTH SIDES OF OUTPUT.

Hub City™ Worm Gear Drives

Single Reduction Models

132, 152, 182, 212, 242, 262, 302, 322, 382, 422, 452, 522, GW602, GW702, GW802, GW1002

MODEL	C.D.	A	B	D	E	Q1	Q2	F	G	H	I	J	K
132	1.334	2.61	1.186	1.562	4.082	4.12	3.12	1.67	.500/.4985	1.76	3.82	1/8 X 1/16 P&W	1.44
152	1.541	3.14	1.928	1.906	5.375	4.88	3.44	1.76	.625/.6235	1.76	4.35	3/16 X 3/32 P&W	1.50
182	1.751	3.23	1.374	1.875	5.000	5.16	3.44	N/A	.625/.6235	1.76	4.44	3/16 X 3/32 P&W	1.50
212	2.064	3.61	1.500	2.437	6.000	5.88	4.12	N/A	.625/.6235	1.76	4.82	3/16 X 3/32 P&W	1.50
242	2.376	3.77	2.061	2.500	6.937	6.12	4.06	2.38	.750/.7485	2.38	5.51	3/16 X 3/32 P&W	1.75
262	2.626	4.33	1.874	2.938	7.438	7.20	4.50	2.36	.750/.7485	2.38	6.07	3/16 X 3/32 P&W	1.75
302	3.001	4.84	2.624	3.250	8.875	8.12	5.25	2.38	.875/.8735	2.38	6.57	3/16 X 3/32 P&W	1.75
322	3.251	5.28	2.124	3.250	8.625	8.62	5.20	N/A	.875/.8735	2.38	6.75	3/16 X 3/32 P&W	1.75
382	3.751	4.90	2.374	3.937	10.062	9.60	5.62	2.20	1.000/.999	2.48	7.38	1/4 X 1/8 P&W	1.91
422	4.251	6.10	2.686	4.438	11.375	10.25	6.13	3.47	1.250/1.2485	3.47	9.60	1/4 X 1/8 P&W	2.87
452	4.501	5.23	2.499	4.625	11.625	9.25	4.63	2.98	1.125/1.124	3.21	8.44	1/4 X 1/8	2.50
522	5.168	5.98	2.624	5.375	13.167	10.75	5.06	N/A	1.250/1.249	3.27	9.25	1/4 X 1/8	2.63
GW602	6.000	N/A	4.000	6.500	16.500	14.25	8.13	N/A	1.500	3.41	11.78	3/8 X 3/16	3.00
GW702	7.000	N/A	4.320	7.590	18.910	14.88	7.63	N/A	1.625	2.98	11.50	3/8 X 3/16 P&W	2.87
GW802	8.000	N/A	4.100	8.860	20.960	17.00	8.63	N/A	1.875	2.84	12.50	1/2 X 1/4 P&W	2.81
GW1002	10.000	N/A	5.110	10.360	25.470	20.88	9.53	N/A	2.250	3.76	15.50	1/2 X 1/4 P&W	3.69

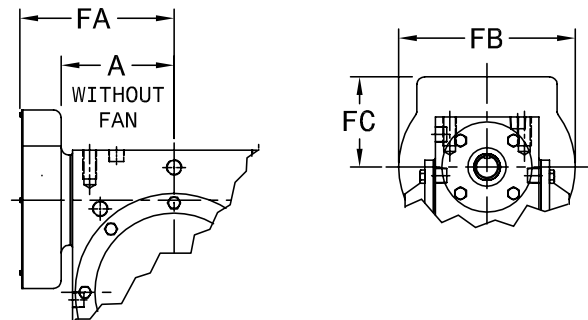
MODEL	AA	BB	CC	DD	EE	FF	GG	HH	JJ	KK	LL	MM	NN	OO	Wt. Lbs.
132	2.250	1.125	1.625	0.813	1/4 UNC	0.50	0.50	3.250	1.625	2.000	1.000	5/16 UNC	0.50	0.50	15
152	4.188	2.094	2.750	1.375	5/16 UNC	0.63	0.63	N/A	N/A	N/A	N/A	N/A	N/A	N/A	15
182	3.125	1.563	1.625	0.813	1/4 UNC	0.50	0.50	4.188	2.094	2.750	1.375	5/16 UNC	0.63	0.63	15
212	4.000	2.000	2.000	1.000	3/8 UNC	0.50	0.70	5.000	2.500	2.875	1.438	3/8 UNC	0.70	0.70	24
242	5.000	2.500	2.875	1.438	3/8 UNC	0.69	0.69	N/A	N/A	N/A	N/A	N/A	N/A	N/A	37
262	4.875	2.438	2.688	1.344	3/8 UNC	0.70	0.70	6.375	3.188	3.375	1.688	3/8 UNC	0.70	0.70	37
302	7.000	3.500	4.000	2.000	7/16 UNC	0.88	0.88	N/A	N/A	N/A	N/A	N/A	N/A	N/A	57
322	6.250	3.125	2.750	1.375	1/2 UNC	0.75	0.75	7.500	3.750	4.000	2.000	7/16 UNC	0.88	0.88	66
382	6.875	3.438	3.000	1.500	1/2 UNC	0.94	1.00	8.500	4.250	4.750	2.375	1/2 UNC	1.00	1.00	85
422	8.500	4.250	5.000	2.500	5/8 UNC	1.00	1.00	N/A	N/A	N/A	N/A	N/A	N/A	N/A	107
452	8.125	4.063	3.250	1.625	5/8 UNC	0.88	1.13	N/A	N/A	N/A	N/A	N/A	N/A	N/A	107
522	9.500	4.750	3.750	1.875	5/8 UNC	1.00	1.25	N/A	N/A	N/A	N/A	N/A	N/A	N/A	135
GW602	12.750	6.375	6.380	3.190	5/8 UNC	1.00	1.00	N/A	N/A	N/A	N/A	N/A	N/A	N/A	294
GW702	12.500	6.250	5.500	2.750	1 UNC	1.56	1.56	N/A	N/A	N/A	N/A	N/A	N/A	N/A	399
GW802	14.250	7.125	6.500	3.250	1 UNC	1.66	1.66	N/A	N/A	N/A	N/A	N/A	N/A	N/A	582
GW1002	17.750	8.875	6.875	3.438	1-1/4 UNC	2.04	2.04	N/A	N/A	N/A	N/A	N/A	N/A	N/A	905

Stock Output Bores

MINIMUM AND MAXIMUM BORE DIMENSIONS SHOWN. FOR ADDITIONAL STOCK OUTPUT BORE SIZES AND STOCK QD™ BUSHING KITS AVAILABLE SEE PAGE B-96.

MODEL	U (MIN.)	U (MAX.)	S	T
132	N/A	5/8	4.50	2.25
152	N/A	5/8	5.42	2.71
182	15/16	1	4.81	2.41
212	15/16	1-1/2	5.56	2.78
242	1	1-1/2	6.00	3.00
262	1	1-1/2	5.93	2.97
302	1-3/16	2-3/16	7.50	3.75
322	1-7/16	2-3/16	7.56	3.78
382	1-7/16	2-3/16	7.56	3.78
422	1-7/16	2-3/16	8.50	4.25
452	*QD BUSHING KIT REQUIRED*		10.00	5.00
522			11.13	5.56
GW602	2	3-7/16	11.50	5.75
GW702	2-7/16	3-15/16	13.50	6.75
GW802	3-7/16	4-7/16	14.50	7.25
GW1002	3-7/16	5-7/16	18.50	9.25

Fan Detail For Models GW602 Through GW1002



MODEL	A	FA	FB	FC
GW602	N/A	11.13	9.50	4.00
GW702	N/A	11.37	9.65	4.83
GW802	N/A	12.52	9.65	4.83
GW1002	N/A	14.69	11.28	5.62

ALL GW MODELS ARE FAN COOLED.



Select hollow output bore models in this product line are now available with the HubLoc® keyless bushing system. Refer to pages i and ii at front of this catalog for features, available sizes, and ordering information.