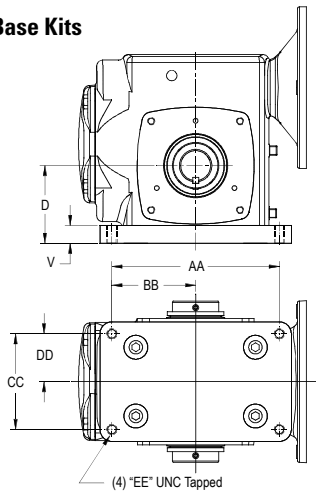


# Hub City™ CleanLine™ Gear Drives

## BASE KITS

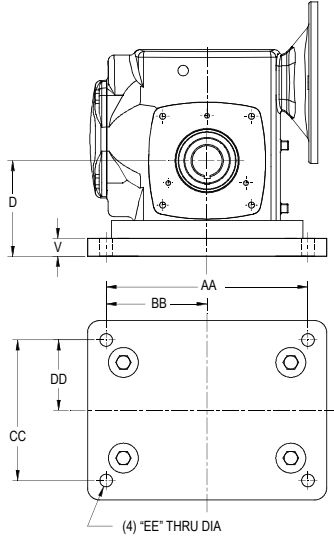
## SS HERA® GEAR DRIVE ACCESSORIES

### Base Kits



#### B-Base

SS HERA B-bases provide a drop-in mounting solution when replacing comparable rated worm gear reducers



#### T-Base

SS HERA T-bases provide a drop-in mounting solution when replacing comparable rated worm gear reducers that are also utilizing a horizontal mounting base.

- B - interchange base (required if interchanging to larger size worm gear reducer) provides appropriate "D" dimension and tapped mounting hole dimensions & pattern
- T - Base (includes B-base above) provides means to bolt unit from above mounting surface and matches competitor worm mounting base bolt patterns



### B - BASE KITS

Series	B-Base Kit No.	Shipping Wt. Lbs.	Size Ref.	D	V	AA	BB	CC	DD	EE
SSHERA35	0259-00213	1.7	21	2.281	0.22	5.00	2.50	2.88	1.44	3/8 UNC
	0259-00214	3.1	24	2.500	0.44	5.00	2.50	2.88	1.44	3/8 UNC
SSHERA45	0259-00215	4.0	26	2.938	0.44	6.38	3.19	3.38	1.69	3/8 UNC
	0259-00216	9.0	30	3.250	0.75	7.00	3.50	4.00	2.00	7/16 UNC
	0259-00217	12.0	32	3.500	1.00	7.50	3.75	4.00	2.00	7/16 UNC

### T - BASE KITS

Series	T-Base Kit No.	Shipping Wt. Lbs.	Size Ref.	D	V	AA	BB	CC	DD	EE
SSHERA35	0259-00218	8.5	18	2.750	0.69	5.75	2.88	4.5	2.25	0.41
	0259-00219	11.8	21	3.000	0.72	6.38	3.19	4.69	2.34	0.47
	0259-00220	14.9	24	3.250	0.75	7.06	3.53	4.88	2.44	0.47
SSHERA45	0229-00221	12.0	24	3.250	0.75	7.06	3.53	4.88	2.44	0.47
	0259-00222	17.6	26	3.688	0.75	8.00	4.00	5.25	2.63	0.53
	0259-00223	25.1	30	4.000	0.75	8.44	4.22	5.88	2.94	0.53
	0259-00224	35.5	32	4.375	0.88	9.50	4.75	6.13	3.06	0.53

### VERTICAL BASE KITS

SERIES	VERTICAL BASE KIT NO.	Shipping WT. LBS.	A	B	D	D1
SSHERA35	0259-00281	7.0	8.25	5.00	3.00	4.38
SSHERA45	0259-00282	10.0	9.94	6.00	3.38	5.25

SERIES	F	G	H	J	K	V
SSHERA35	7.37	4.50	0.44	4.00	2.00	0.25
SSHERA45	8.81	5.38	0.50	4.88	2.44	0.38

Note: Vertical base kit can only be attached to machined top version (Models SSMHERA35 and SSMHERA45)

