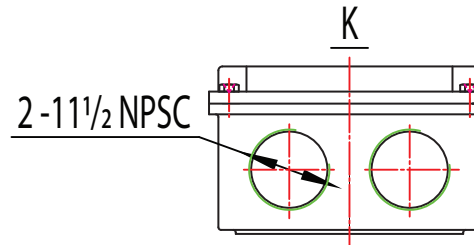
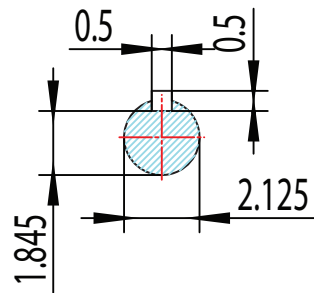
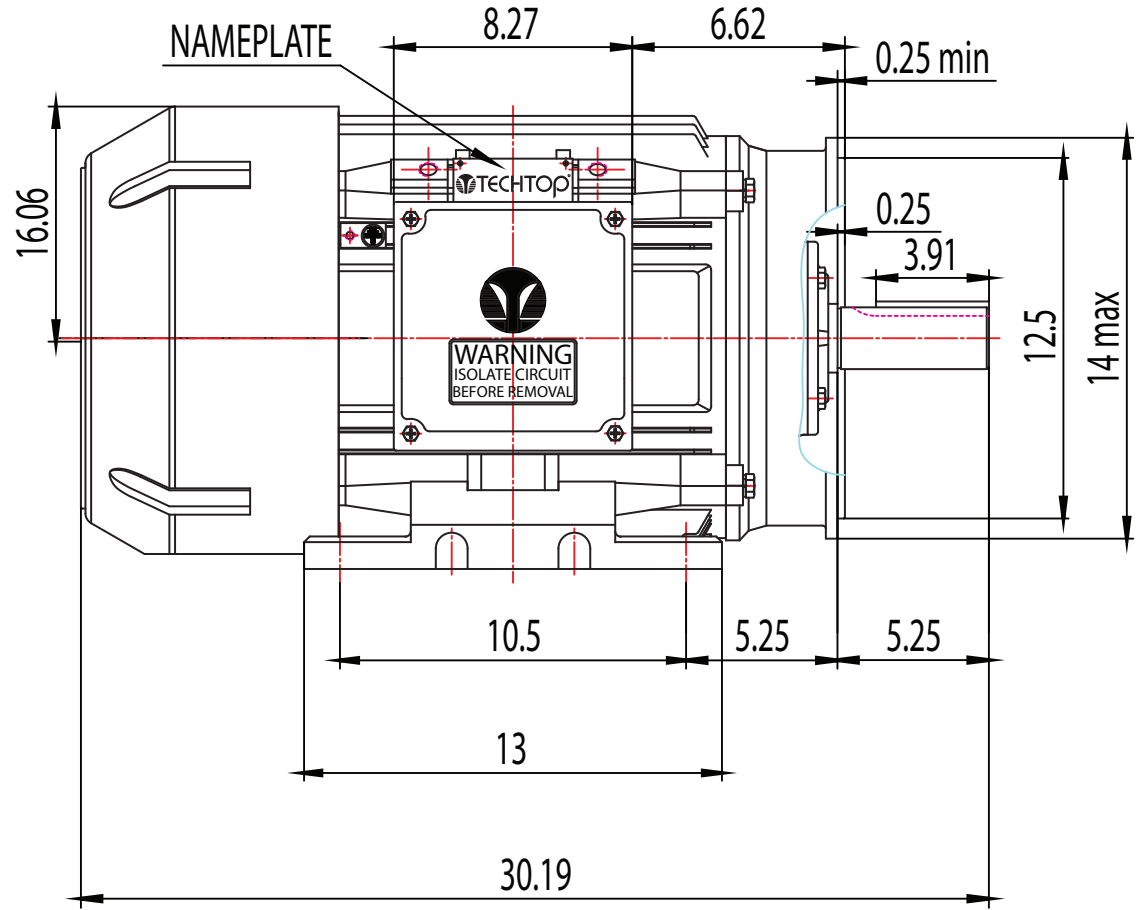
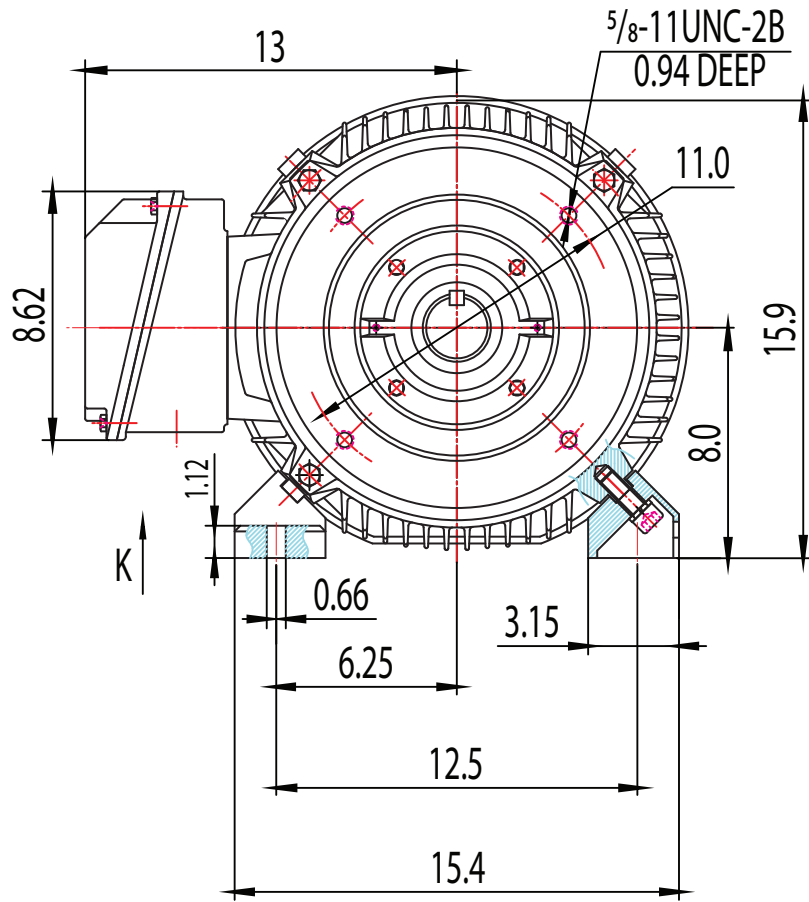


FRAME: 324TC | HP: | RPM: | PHASE: 3 | VOLT: 208 - 230/460V | ENCL: TEFC | FREQ: 60 Hz | FLA: | LRA:



MODEL NUMBER:  
GR3-CI-TF-324TC  
MFG PN:

REV.	BY	DATE
1		
2		
3		
4		
5		
6		
7		

CHANGES

MATERIAL:  
UNITS: INCH | BY: SSEE  
DRAWN: 10/1/2018  
WWW.TECHTOP.COM