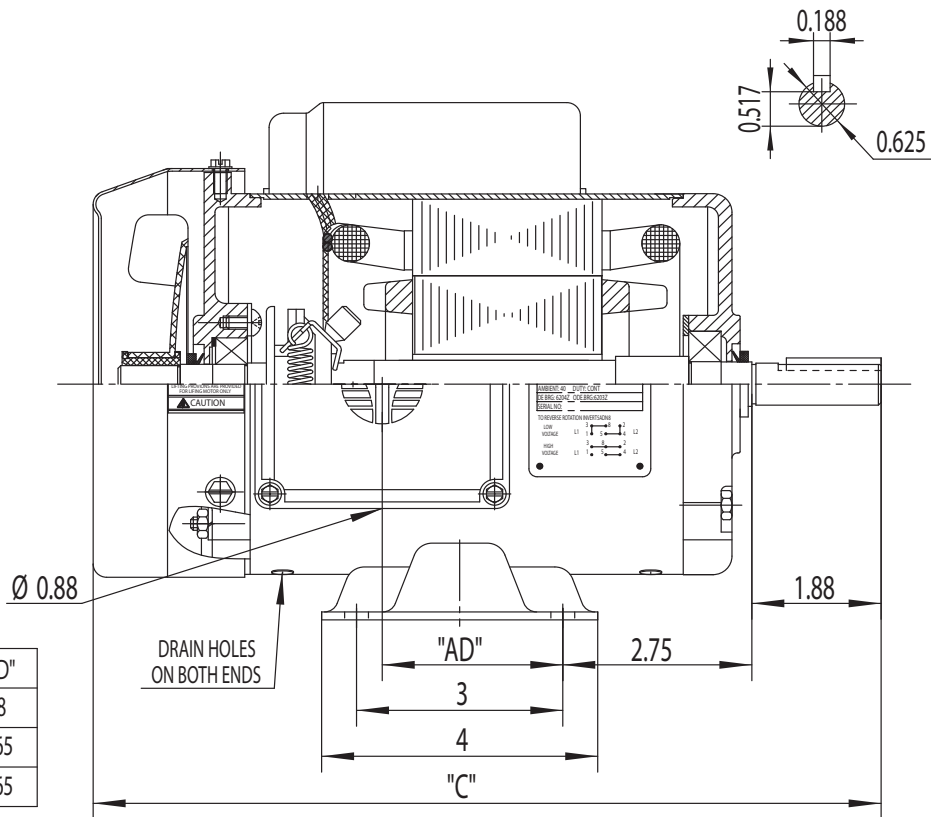


HP	"C"	"AD"
1/3	10.7	1.8
1/2	11.5	2.65
3/4	11.5	2.65



		NEMA TEFC 56	
Drawing Number:	RD1-RS-TF-56	Issued Date:	6/22/15
Dimensions:	Inches	TEFC - Red Line NEMA High Torque Farm Duty Series	
Mounting:	Rigid		
Casing Material:	Rolled Steel		