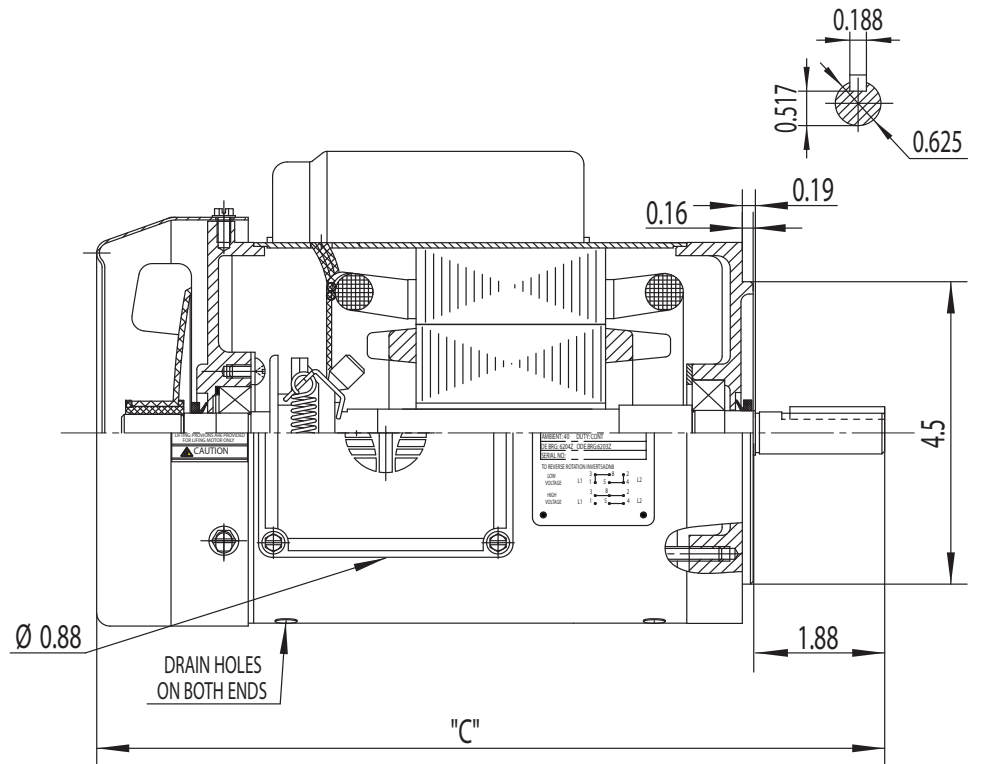


HP	"C"
1/3	10.7
1/2	11.5
3/4	11.5



NEMA TEFC 56C

Drawing Number:	RD1-RS-TF-56C-RND
Dimensions:	Inches
Mounting:	C-Flange
Casing Material:	Rolled Steel

Issued Date:	6/22/15
TEFC - Red Line NEMA High Torque Farm Duty Series	