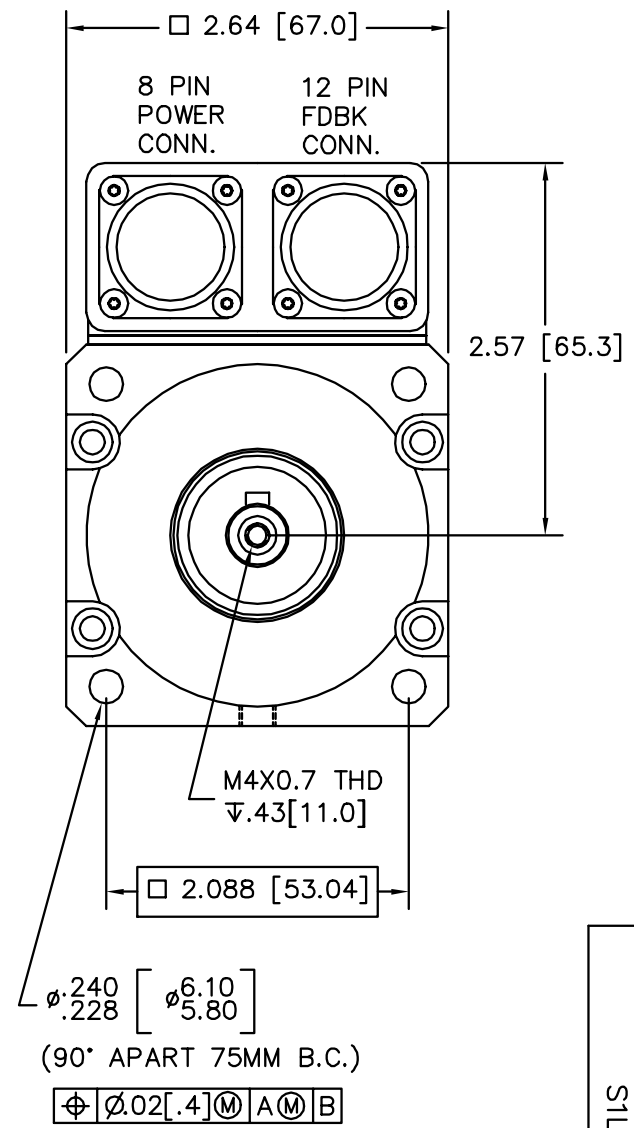
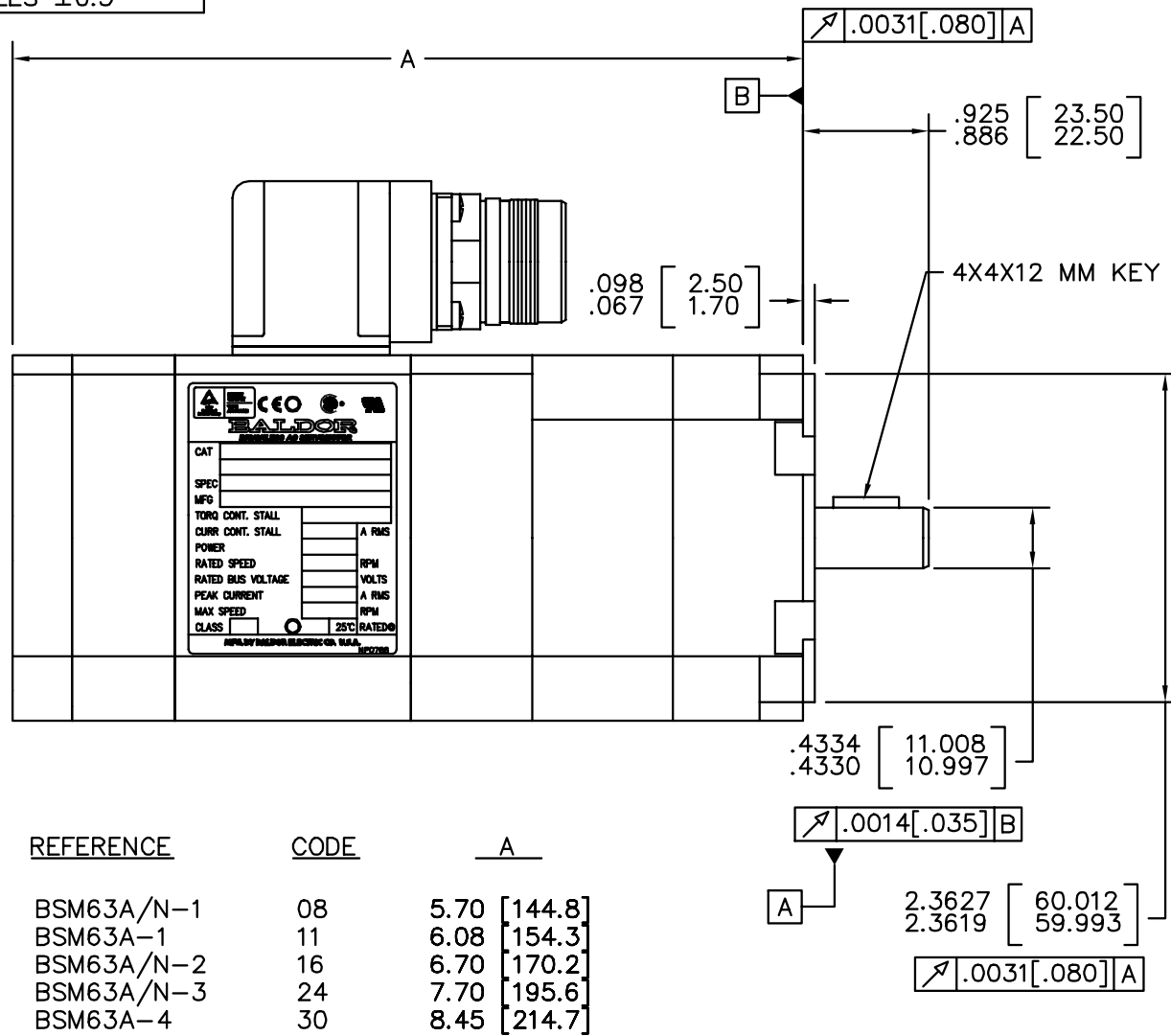


TOL UNLESS SPEC.

2 PLC INCH DEC. =
±.06" [1.5mm]
ANGLES ±0.5°

S1LYP106



| REFERENCE | CODE | A |
|------------|------|--------------|
| BSM63A/N-1 | 08 | 5.70 [144.8] |
| BSM63A-1 | 11 | 6.08 [154.3] |
| BSM63A/N-2 | 16 | 6.70 [170.2] |
| BSM63A/N-3 | 24 | 7.70 [195.6] |
| BSM63A-4 | 30 | 8.45 [214.7] |

CUSTOMER IS RESPONSIBLE FOR DETERMINING THAT BALDOR'S PRODUCT WILL PERFORM SUITABLY IN THE INTENDED APPLICATION.

| | | |
|------------------------------------|------------------------------|-------------------|
| REV. DESC: UPDATE TO CORRECT SHAFT | | |
| REV. LTR: F | VERSION: 02 | TDR: 000000463715 |
| FILE: \AAA\00073\555 | REVISED: 09:01:48 05/08/2008 | |
| MTL: - | BY: ENFRANO | |

BALDOR • DODGE • RELIANCE

BSM63, 11D75, BRAKE, RESOLVER, METRIC CONNECTORS

SH 1 of 1

S1LYP106