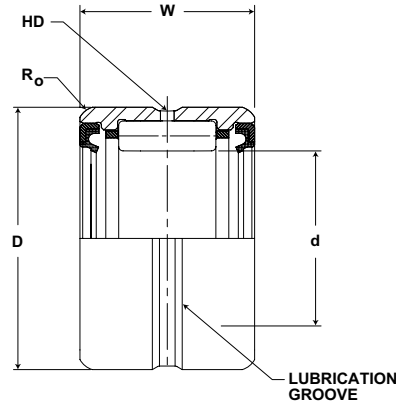




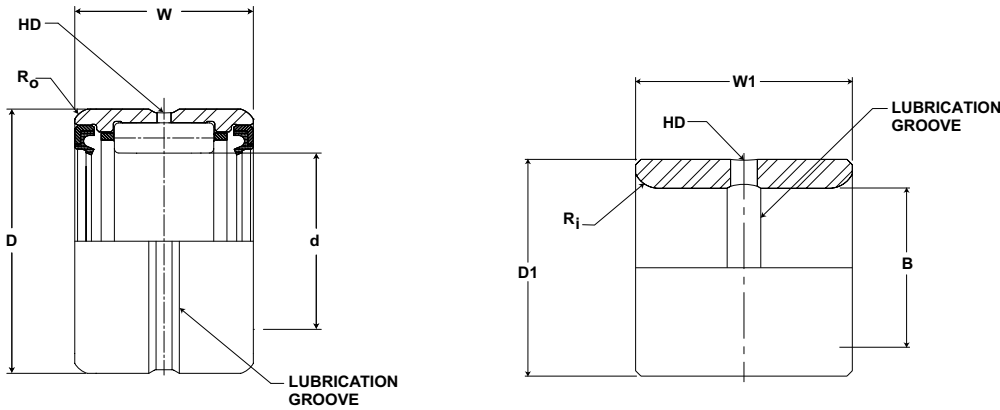
- Basic Construction Type:** Machined Race with Optional Separable Inner Ring
- Rolling Elements:** Cage Guided Precision Needles
- Bearing Material:** Bearing Quality Steel
- Seal Type:** Rubber Lip
- Lubrication:** Sealed Bearings: Lithium Soap Grease NLGI #1
Unsealed Bearings: Rust Preventative



MR SERIES

Part No.		d		D		W	Housing Bore Diameter			HD	Ro	Limiting Speed (In Oil)*	Basic Dynamic Rating	Basic Static Rating	Outer & Roller Assembly Weight
McGill Outer Ring & Roller Assembly	Military No.	Shaft Diameter		Outside Diameter		Width				Radial Lub. Hole Diameter	Max Hsg Radius to Clear				
		inch mm		inch mm		inch mm	inch mm			inch mm					
		Nom	Tol.	Nom	Tol.	+Tol +0/- .005 (+0/.13)	Rotating	Stationary	Tol.	(Ref)	(Ref)	RPM	lb/N	lb/N	lb kg
MR 10 N	MS 51961-1 MS 51961-1	.6250 +0/- .0005 15.9 +0/- .013	1.1250 +0/- .0005 28.6 +0/- .013	.750 19.05		1.1247 28.579	1.1257 28.604	+0/- .0007 +0/- .018	.08 2	0.03 1	19250	4,320 19,215	4,300 19,126	.12 .05	
						1.1247 28.579	1.1257 28.604	+0/- .0007 +0/- .018	.08 2	0.03 1	19250	4,320 19,215	4,300 19,126	.12 .05	
MR 10 SS, S, RS, SRS, RSS				1.000 25.40		1.1247 28.579	1.1257 28.604	+0/- .0007 +0/- .018	.08 2	0.03 1	6100	4,320 19,215	4,300 19,126	.15 .07	
MR 10						1.1247 28.579	1.1257 28.604	+0/- .0007 +0/- .018	.08 2	0.03 1	19250	5,930 26,377	6,500 28,912	.15 .07	
MR 12 N	MS 51961-2 MS 51961-2	.7500 +0/- .0005 19.1 +0/- .013	1.2500 +0/- .0005 31.8 +0/- .013	.750 19.05		1.2497 31.755	1.2507 31.780	+0/- .0007 +0/- .018	.08 2	0.04 1	16000	4,990 22,196	5,400 24,019	.14 .06	
						1.2497 31.755	1.2507 31.780	+0/- .0007 +0/- .018	.08 2	0.04 1	16000	4,990 22,196	5,400 24,019	.14 .06	
MR 12 SS, S, RS, SRS, RSS				1.000 25.40		1.2497 31.755	1.2507 31.780	+0/- .0007 +0/- .018	.08 2	0.04 1	5100	4,990 22,196	5,400 24,019	.17 .08	
MR 12	MS 51961-3					1.2497 31.755	1.2507 31.780	+0/- .0007 +0/- .018	.08 2	0.04 1	16000	6,830 30,380	8,100 36,029	.17 .08	
MR 14 N	MS 51961-5 MS 51961-5	.8750 +0/- .0005 22.2 +0/- .013	1.3750 +0/- .0005 34.9 +0/- .013	.750 19.05		1.3747 34.931	1.3757 34.957	+0/- .0007 +0/- .018	.08 2	0.04 1	13750	5,280 23,485	6,000 26,688	.16 .07	
						1.3747 34.931	1.3757 34.957	+0/- .0007 +0/- .018	.08 2	0.04 1	13750	5,280 23,485	6,000 26,688	.16 .07	
MR 14 SS, S, RS, SRS, RSS				1.000 25.40		1.3747 34.931	1.3757 34.957	+0/- .0007 +0/- .018	.08 2	0.04 1	4400	5,280 23,485	6,000 26,688	.21 .09	
MR 14	MS 51961-6					1.3747 34.931	1.3757 34.957	+0/- .0007 +0/- .018	.08 2	0.04 1	13750	7,240 32,204	9,000 40,032	.21 .09	
MR 16 N	MS 51961-8 MS 51961-8	1.0000 +0/- .0005 25.4 +0/- .013	1.5000 +0/- .0005 38.1 +0/- .013	.750 19.05		1.4997 38.107	1.5007 38.133	+0/- .0007 +0/- .018	.08 2	0.04 1	12000	5,840 25,976	7,100 31,581	.20 .09	
						1.4997 38.107	1.5007 38.133	+0/- .0007 +0/- .018	.08 2	0.04 1	12000	5,840 25,976	7,100 31,581	.20 .09	
MR 16 SS, S, RS, SRS, RSS				1.000 25.40		1.4997 38.107	1.5007 38.133	+0/- .0007 +0/- .018	.08 2	0.04 1	3800	5,840 25,976	7,100 31,581	.23 .10	
MR 16	MS 51961-9					1.4997 38.107	1.5007 38.133	+0/- .0007 +0/- .018	.08 2	0.04 1	12000	8,000 35,584	10,600 47,149	.23 .10	
MR 18 N	MS 51961-11 MS 51961-11	1.1250 +0/- .0005 28.6 +0/- .013	1.6250 +0/- .0005 41.3 +0/- .013	.750 19.05		1.6247 41.284	1.6257 41.309	+0/- .0007 +0/- .018	.09 2	0.04 1	10700	8,720 38,787	12,200 54,266	.24 .11	
						1.6247 41.284	1.6257 41.309	+0/- .0007 +0/- .018	.09 2	0.04 1	10700	8,720 38,787	12,200 54,266	.24 .11	
MR 18 SS, S, RS, SRS, RSS				1.000 25.40		1.6247 41.284	1.6257 41.309	+0/- .0007 +0/- .018	.09 2	0.04 1	3400	8,720 38,787	12,200 54,266	.32 .15	
MR 18	MS 51961-12					1.6247 41.284	1.6257 41.309	+0/- .0007 +0/- .018	.09 2	0.04 1	10700	10,900 48,483	16,300 72,502	.32 .15	
MR 20 N	MS 51961-14			1.000 25.40		1.7497 44.460	1.7507 44.485	+0/- .0007 +0/- .018	.09 2	0.04 1	9600	9,020 40,121	13,100 58,269	.27 .12	
MR 20 SS, S, RS, SRS, RSS		1.2500 +0/- .0005 31.8 +0/- .013	1.7500 +0/- .0005 44.5 +0/- .013	1.250 31.75		1.7497 44.460	1.7507 44.485	+0/- .0007 +0/- .018	.09 2	0.04 1	3050	9,020 40,121	13,100 58,269	.34 .15	
						1.7497 44.460	1.7507 44.485	+0/- .0007 +0/- .018	.09 2	0.04 1	9600	11,300 50,262	17,500 77,840	.34 .15	

Metric dimensions for reference only.
For sealed bearings, Outside diameter may be slightly oversize due to seal press fit.
For DS matching as DS suffix to part number
* For bearing properly filled with #1 grease reduce speed by 50%



MR SERIES

Part No.		Military No.	B		D1		W1	HD	Ri	Recommended Shaft Diameter with inner ring			Inner Weight
McGill Outer Ring & Roller Assembly	Separable Inner Ring Only		Bore Diameter		Outside Diameter		Width	Radial Lub. Hole Diameter	Max Shaft Radius to Clear				
			inch mm		inch mm		inch mm			inch mm			lb kg
			Nom	Tol.	Nom	Tol.	Tol +0/-0.005 (+0/-13)	(Ref)	(Ref)	Rotating	Stationary	Tol.	
MR 10 N	MI 6 N	MS 500072-1	.3750 9.529	+0/-0.004 +0/-0.10	.6245 15.9	+0/-0.004 +0/-0.10	.760 19.3	.09 2.4	.25 6.4	.3755 9.541	.3747 9.521	+0/-0.005 +0/-0.13	.05 .02
	MI 7 N		.4375 11.117	+0/-0.004 +0/-0.10	.6245 15.9	+0/-0.004 +0/-0.10	.760 19.3	.09 2.4	.25 6.4	.4380 11.130	.4372 11.109	+0/-0.005 +0/-0.13	.04 .02
MR 10 SS, S, RS, SRS, RSS	MI 6		.3750 9.529	+0/-0.004 +0/-0.10	.6245 15.9	+0/-0.004 +0/-0.10	1.010 25.7	.09 2.4	.25 6.4	.3755 9.541	.3747 9.521	+0/-0.005 +0/-0.13	.05 .02
MR 10			.3750 9.529	+0/-0.004 +0/-0.10	.6245 15.9	+0/-0.004 +0/-0.10	1.010 25.7	.09 2.4	.25 6.4	.3755 9.541	.3747 9.521	+0/-0.005 +0/-0.13	.05 .02
MR 12 N	MI 8 N	MS 500072-2	.5000 12.705	+0/-0.004 +0/-0.10	.7493 19.0	+0/-0.005 +0/-0.13	.760 19.3	.13 3.2	.40 10.2	.5005 12.718	.4997 12.697	+0/-0.005 +0/-0.13	.04 .02
	MI 9 N		.5625 14.293	+0/-0.004 +0/-0.10	.7493 19.0	+0/-0.005 +0/-0.13	.760 19.3	.13 3.2	.40 10.2	.5630 14.306	.5623 14.286	+0/-0.005 +0/-0.13	.04 .02
MR 12 SS, S, RS, SRS, RSS	MI 8	MS 500072-3	.5000 12.705	+0/-0.004 +0/-0.10	.7493 19.0	+0/-0.005 +0/-0.13	1.010 25.7	.13 3.2	.40 10.2	.5005 12.718	.4997 12.697	+0/-0.005 +0/-0.13	.06 .03
MR 12			.5000 12.705	+0/-0.004 +0/-0.10	.7493 19.0	+0/-0.005 +0/-0.13	1.010 25.7	.13 3.2	.40 10.2	.5005 12.718	.4997 12.697	+0/-0.005 +0/-0.13	.06 .03
MR 14 N	MI 10 N	MS 500072-4	.6250 15.881	+0/-0.004 +0/-0.10	.8743 22.2	+0/-0.005 +0/-0.13	.760 19.3	.13 3.2	.40 10.2	.6255 15.894	.6247 15.874	+0/-0.005 +0/-0.13	.06 .03
	MI 11 N		.6875 17.469	+0/-0.004 +0/-0.10	.8743 22.2	+0/-0.005 +0/-0.13	.760 19.3	.13 3.2	.40 10.2	.6880 17.482	.6872 17.462	+0/-0.005 +0/-0.13	.05 .02
MR 14 SS, S, RS, SRS, RSS	MI 10		.6250 15.881	+0/-0.004 +0/-0.10	.8743 22.2	+0/-0.005 +0/-0.13	1.010 25.7	.13 3.2	.40 10.2	.6255 15.894	.6247 15.874	+0/-0.005 +0/-0.13	.08 .04
MR 14			.6250 15.881	+0/-0.004 +0/-0.10	.8743 22.2	+0/-0.005 +0/-0.13	1.010 25.7	.13 3.2	.40 10.2	.6255 15.894	.6247 15.874	+0/-0.005 +0/-0.13	.08 .04
MR 16 N	MI 12 N	MS 500072-5	.7500 19.058	+0/-0.004 +0/-0.10	.9993 25.4	+0/-0.005 +0/-0.13	.760 19.3	.13 3.2	.40 10.2	.7505 19.070	.7497 19.050	+0/-0.005 +0/-0.13	.07 .03
	MI 13 N	MS 500072-6	.8125 20.646	+0/-0.005 +0/-0.13	.9993 25.4	+0/-0.005 +0/-0.13	.760 19.3	.13 3.2	.40 10.2	.8130 20.658	.8121 20.638	+0/-0.005 +0/-0.13	.07 .03
MR 16 SS, S, RS, SRS, RSS	MI 12		.7500 19.058	+0/-0.004 +0/-0.10	.9993 25.4	+0/-0.005 +0/-0.13	1.010 25.7	.13 3.2	.40 10.2	.7505 19.070	.7497 19.050	+0/-0.005 +0/-0.13	.10 .05
MR 16	MI 13	MS 500072-7	.8125 20.646	+0/-0.005 +0/-0.13	.9993 25.4	+0/-0.005 +0/-0.13	1.010 25.7	.13 3.2	.40 10.2	.8130 20.658	.8121 20.638	+0/-0.005 +0/-0.13	.11 .05
MR 18 N	MI 14 N	MS 500072-8	.8750 22.234	+0/-0.005 +0/-0.13	1.124 28.6	+0/-0.005 +0/-0.13	1.010 25.7	.13 3.2	.40 10.2	.8755 22.246	.8746 22.226	+0/-0.005 +0/-0.13	.11 .05
	MI 15 N	MS 500072-9	.9375 23.822	+0/-0.005 +0/-0.13	1.124 28.6	+0/-0.005 +0/-0.13	1.010 25.7	.13 3.2	.40 10.2	.9380 23.835	.9371 23.814	+0/-0.005 +0/-0.13	.11 .05
MR 18 SS, S, RS, SRS, RSS	MI 14		.8750 22.234	+0/-0.005 +0/-0.13	1.124 28.6	+0/-0.005 +0/-0.13	1.260 32.0	.13 3.2	.40 10.2	.8755 22.246	.8746 22.226	+0/-0.005 +0/-0.13	.13 .06
MR 18			.8750 22.234	+0/-0.005 +0/-0.13	1.124 28.6	+0/-0.005 +0/-0.13	1.260 32.0	.13 3.2	.40 10.2	.8755 22.246	.8746 22.226	+0/-0.005 +0/-0.13	.13 .06
MR 20 N	MI 16 N	MS 500072-10	1.0000 25.410	+0/-0.005 +0/-0.13	1.249 31.7	+0/-0.006 +0/-0.15	1.010 25.7	.13 3.2	.40 10.2	1.0005 25.423	0.9996 25.402	+0/-0.005 +0/-0.13	.13 .06
MR 20 SS, S, RS, SRS, RSS	MI 16		1.0000 25.410	+0/-0.005 +0/-0.13	1.249 31.7	+0/-0.006 +0/-0.15	1.260 32.0	0.13 3	0.40 10	1.001 25.4	1.000 25.4	+0/-0.005 +0/-0.13	.16 .07
MR 20			MS 500072-11	1.0000 25.410	+0/-0.005 +0/-0.13	1.249 31.7	+0/-0.006 +0/-0.15	1.260 32.0	0.13 3	0.40 10	1.001 25.4	1.000 25.4	+0/-0.005 +0/-0.13

Not all parts are available from stock. Please contact customer service for availability (800) 626-2120.
For more information on bearing capabilities outside of our standard offering, please contact Application Engineering (800) 626-2093.