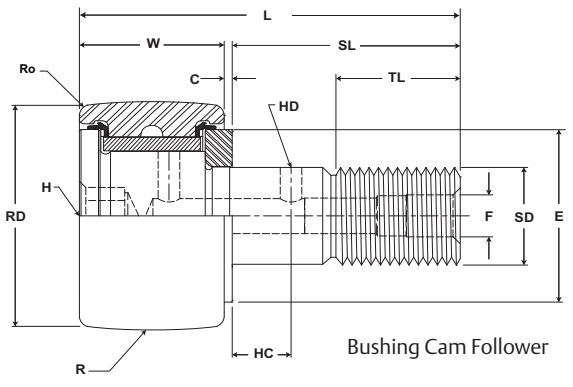


MCGILL® Inch Cam Follower Bearings



- Basic Construction Type:** Stud Type Crowned / Cylindrical Outside Diameter
- Rolling Elements:** Non-Metallic Bushing
- Bearing Material:** Bearing Quality Steel
- Seal Type:** LUBRI-DISC®
- Lubrication:** None - Self Lubricating Bushing
- System Configuration:** Concentric / Eccentric
- Mounting Feature:** Slot / Hex Hole

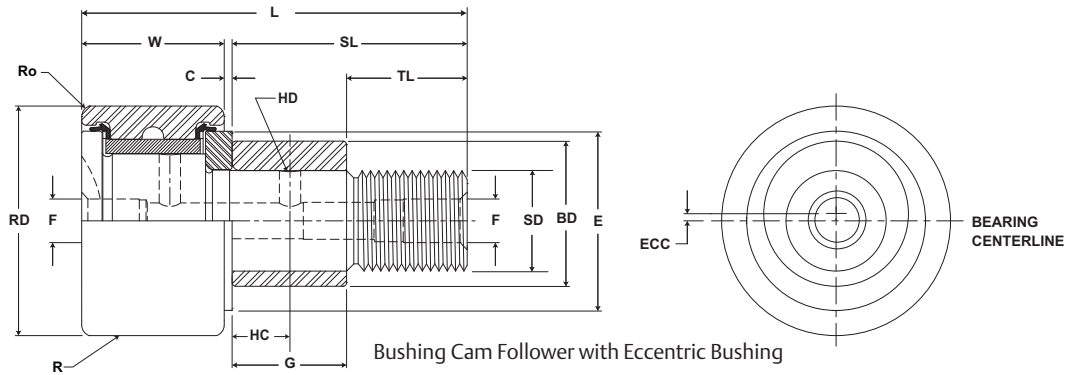


BCF, BCFE

Part No.	RD		W		SD		SL	C	TL	L	R	ECC	G	BD	Track Roller Dynamic Rating	Track Roller Static Rating
	Roller Diameter		Roller Width		Stud Diameter		Stud Length	Endplate Extension	Minimum Thread Length	Length Overall	Crown Prefix BCCF-XX	Eccentric Base Modifier BCCE-XX				
	inch mm		inch mm		inch mm		inch mm	inch mm	inch mm	inch mm	inch mm	inch mm				
	Nom.	Tol.	Nom.	Tol.	Nom.	Tol.	(Ref)	(Ref)	(Ref)	(Ref)	Radius	(Ref)	+0/- .001 (+0/- .03)	± .001 (± .03)		
BCF 1/2 S	.500 12.70	+0/- .001 +0/- .03	.375 9.53	+0 / - .005 +0 / - .13	.190 4.83	+ .001/-0 + .03/-0	.625 15.9	.03 .8	.25 6.4	1.03 26.2	Cylindrical	N/A	N/A	N/A	See Load-Speed Chart	
BCF 1/2 SB																
BCCF 1/2 S											7 178					
BCCF 1/2 SB																
BCFE 1/2 S	.500 12.70	+0/- .001 +0/- .03	.375 9.53	+0 / - .005 +0 / - .13	.190 4.83	+ .001/-0 + .03/-0	.625 15.9	.03 .8	.25 6.4	1.03 26.2	Cylindrical	.010 .25	.38 9.5	.25 6.4	See Load-Speed Chart	
BCFE 1/2 SB																
BCCFE 1/2 S											7 178					
BCCFE 1/2 SB																
BCF 9/16 S	.5625 14.29	+0/- .001 +0/- .03	.375 9.53	+0 / - .005 +0 / - .13	.190 4.83	+ .001/-0 + .03/-0	.625 15.9	.03 .8	.25 6.4	1.03 26.2	Cylindrical	N/A	N/A	N/A	See Load-Speed Chart	
BCF 9/16 SB																
BCCF 9/16 S											7 178					
BCCF 9/16 SB																
BCFE 9/16 S	.5625 14.29	+0/- .001 +0/- .03	.375 9.53	+0 / - .005 +0 / - .13	.190 4.83	+ .001/-0 + .03/-0	.625 15.9	.03 .8	.25 6.4	1.03 26.2	Cylindrical	.010 .25	.38 9.5	.25 6.4	See Load-Speed Chart	
BCFE 9/16 SB																
BCCFE 9/16 S											7 178					
BCCFE 9/16 SB																
BCF 5/8 S	.625 15.88	+0/- .001 +0/- .03	.4375 11.11	+0 / - .005 +0 / - .13	.250 6.35	+ .001/-0 + .03/-0	.75 19.1	.03 .8	.31 7.9	1.22 31.0	Cylindrical	N/A	N/A	N/A	See Load-Speed Chart	
BCF 5/8 SB																
BCCF 5/8 S											8 203					
BCCF 5/8 SB																
BCFE 5/8 S	.625 15.88	+0/- .001 +0/- .03	.4375 11.11	+0 / - .005 +0 / - .13	.250 6.35	+ .001/-0 + .03/-0	.75 19.1	.03 .8	.31 7.9	1.22 31.0	Cylindrical	.015 .38	.44 11.1	.38 9.5	See Load-Speed Chart	
BCFE 5/8 SB																
BCCFE 5/8 S											8 203					
BCCFE 5/8 SB																
BCF 11/16 S	.6875 17.46	+0/- .001 +0/- .03	.4375 11.11	+0 / - .005 +0 / - .13	.250 6.35	+ .001/-0 + .03/-0	.75 19.1	.03 .8	.31 7.9	1.22 31.0	Cylindrical	N/A	N/A	N/A	See Load-Speed Chart	
BCF 11/16 SB																
BCCF 11/16 S											8 203					
BCCF 11/16 SB																
BCFE 11/16 S	.6875 17.46	+0/- .001 +0/- .03	.4375 11.11	+0 / - .005 +0 / - .13	.250 6.35	+ .001/-0 + .03/-0	.75 19.1	.03 .8	.31 7.9	1.22 31.0	Cylindrical	.015 .38	.44 11.1	.38 9.5	See Load-Speed Chart	
BCFE 11/16 SB																
BCCFE 11/16 S											8 203					
BCCFE 11/16 SB																

Metric dimensions for reference only.
 Not all parts are available from stock. Please contact customer service for availability (800) 626-2120.
 For more information on bearing capabilities outside of our standard offering, please contact Application Engineering (800) 626-2093.

Inch Cam Follower Bearings **McGILL**



BCF, BCFE

Part No.	HC	HD	F	H	E	Ro	Housing Bore Diameter		Thread Type	Clamping Torque	Limiting Speed	WT
	Hole Center	Radial Hole Diameter	Axial Hole Dia or Fitting	Hex Hole	Min Boss Diameter	Outer Corner Radius	inch mm			in-lb Nm	RPM	Bearing Weight
	(Ref)	(Ref)	(Ref)	(Ref)	(Ref)	(Ref)	Nom.	Tol.				lb kg
BCF 1/2 S						.02						
BCF 1/2 SB			.125	.125	.41	.4	.1903	+0.002/-0.003	10-32	15	See Load-Speed Chart	.04
BCCF 1/2 S	-	-	3.17	3.17	10.4		4.834	+0.005/-0.008		2		.02
BCCF 1/2 SB						N/A						
BCFE 1/2 S						.02						
BCFE 1/2 SB			.125	.125	.41	.4	.253	+0.001/-0.001	10-32	15	See Load-Speed Chart	.04
BCCFE 1/2 S	-	-	3.17	3.17	10.4		6.426	+0.025/-0.025		2		.02
BCCFE 1/2 SB						N/A						
BCF 9/16 S						.02						
BCF 9/16 SB			.125	.125	.41	.4	.1903	+0.002/-0.003	10-32	15	See Load-Speed Chart	.04
BCCF 9/16 S	-	-	3.17	3.17	10.4		4.834	+0.005/-0.008		2		.02
BCCF 9/16 SB						N/A						
BCFE 9/16 S						.02						
BCFE 9/16 SB			.125	.125	.41	.4	.253	+0.001/-0.001	10-32	15	See Load-Speed Chart	.04
BCCFE 9/16 S	-	-	3.17	3.17	10.4		6.426	+0.025/-0.025		2		.02
BCCFE 9/16 SB						N/A						
BCF 5/8 S						.02						
BCF 5/8 SB			.125	.125	.46	.4	.2503	+0.002/-0.003	1/4-28	35	See Load-Speed Chart	.05
BCCF 5/8 S	-	-	3.17	3.17	11.7		6.358	+0.005/-0.008		4		.02
BCCF 5/8 SB						N/A						
BCFE 5/8 S						.02						
BCFE 5/8 SB			.125	.125	.46	.4	.378	+0.001/-0.001	1/4-28	35	See Load-Speed Chart	.05
BCCFE 5/8 S	-	-	3.17	3.17	11.7		9.60	+0.025/-0.025		4		.02
BCCFE 5/8 SB						N/A						
BCF 11/16 S						.02						
BCF 11/16 SB			.125	.125	.46	.4	.2503	+0.002/-0.003	1/4-28	35	See Load-Speed Chart	.06
BCCF 11/16 S	-	-	3.17	3.17	11.7		6.358	+0.005/-0.008		4		.03
BCCF 11/16 SB						N/A						
BCFE 11/16 S						.02						
BCFE 11/16 SB			.125	.125	.46	.4	.378	+0.001/-0.001	1/4-28	35	See Load-Speed Chart	.06
BCCFE 11/16 S	-	-	3.17	3.17	11.7		9.60	+0.025/-0.025		4		.03
BCCFE 11/16 SB						N/A						