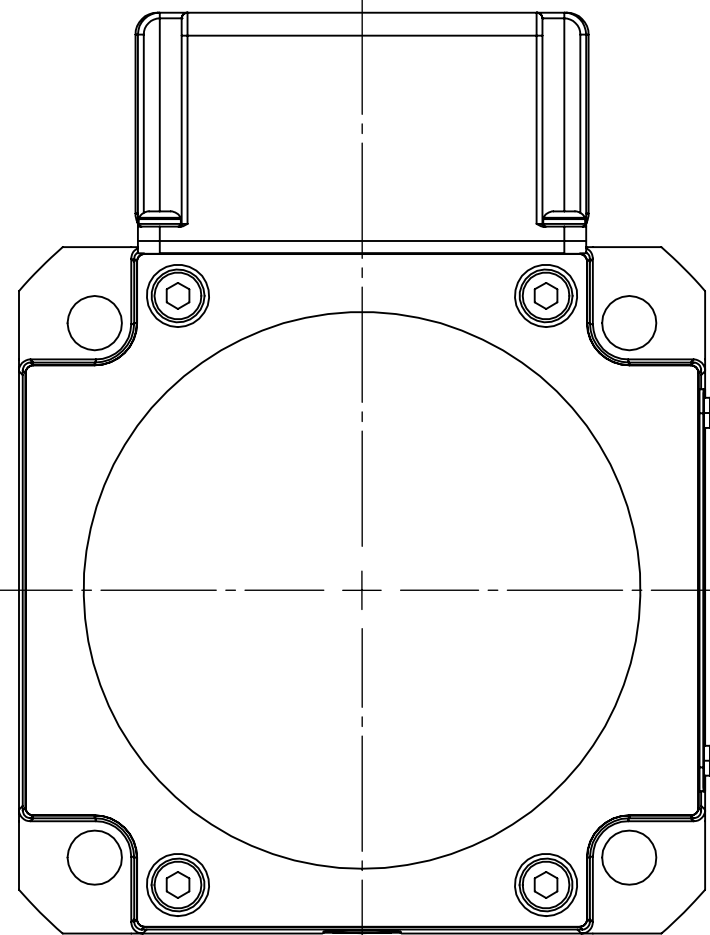
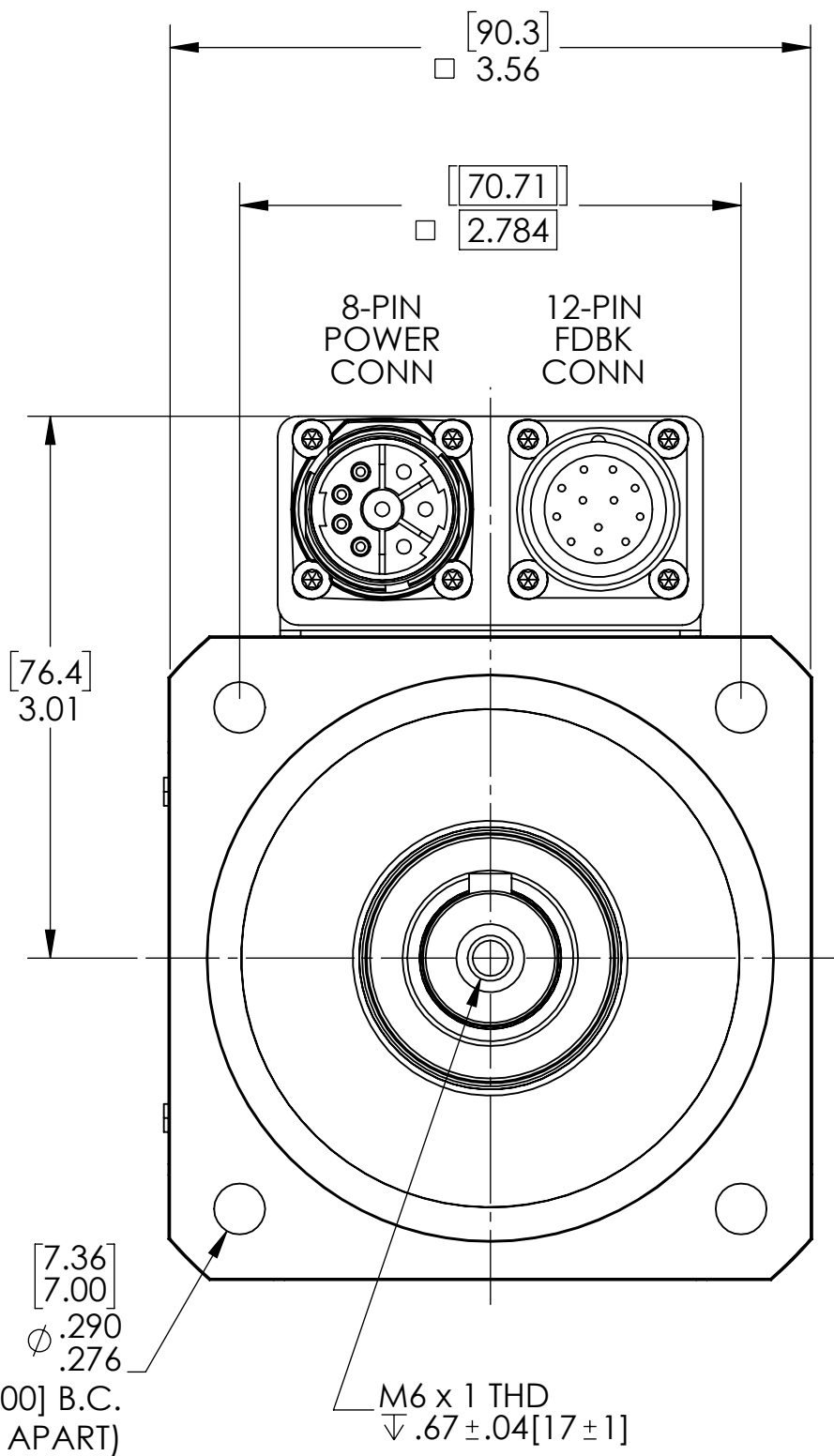
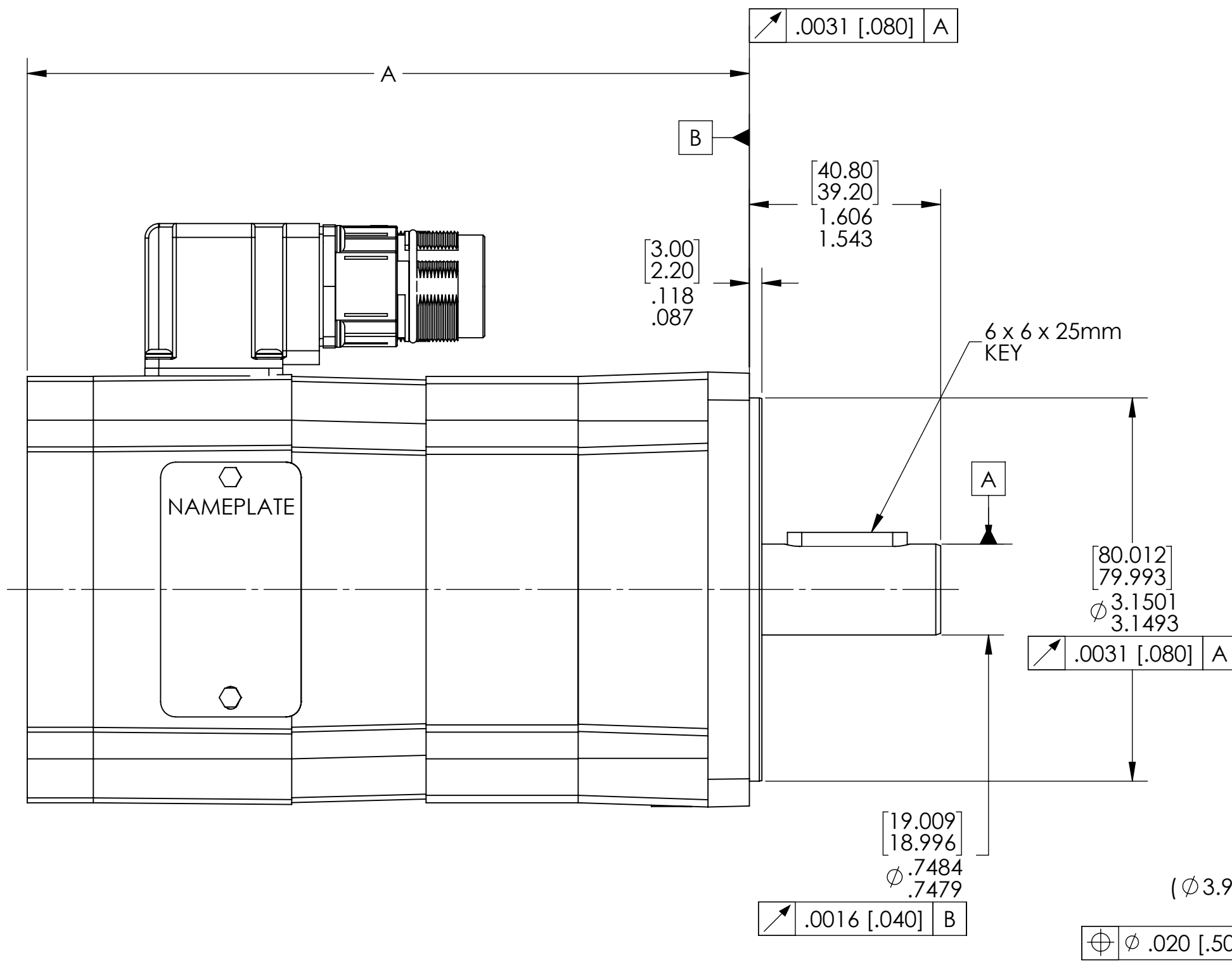


REFERENCE	CODE	A
BSM80N-1 & BSM80B-0	10	5.93 [150.7]
BSM80N-2 & BSM80B-1	20	7.18 [182.5]
BSM80N-3	30	8.43 [214.2]
BSM80B-2	32	8.68 [220.6]
BSM80B-3	44	10.18 [258.7]



TOL UNLESS SPEC.  
2 PLC INCH DEC. =  
± .06" [1.5mm]  
ANGLES ± 0.5°



CUSTOMER IS RESPONSIBLE FOR DETERMINING THAT BALDOR'S PRODUCT WILL PERFORM SUITABLY IN THE INTENDED APPLICATION

REV. DESC: UPDATE LAYOUT GRAPHICS			
REV: J	VERSION: 05	REVISED:04:19:09 01/30/2018	TDR: 000001059004
MODEL NO. S2LYP100		REF: -	
BY:ENJFDO			

**BALDOR**

BSM80, 19D100, RESOLVER, M23 CONNECTORS