

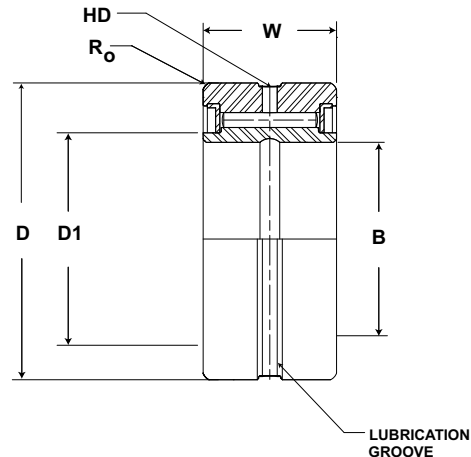
## McGill MULTI-ROL Needle Bearings

Full complement needle bearing provides high radial load rating with good shaft support, angular rigidity, and is dimensionally equivalent to most plain bearings with bronze or babbitt bushing. Available in both single and two row designs with non separable inner race and metallic shields for pure radial load applications. The angular lube groove provides a circumferential path to direct lubricant to the oil hole.

Needle/Journal Bearings



- Basic Construction Type:** Full Complement Machined Race Needle Bearing and Non Separable Inner Ring
- Rolling Elements:** Single Row Precision Ground Needle
- Bearing Material:** Bearing Quality Steel
- Seal Type:** Metallic Shield



### RS Series

Part No.	B		D		W	Housing Bore Diameter			HD	Ro	Limiting Speed (In Oil)*	Basic Dynamic Rating	Basic Static Rating	Weight
	Bore Diameter		Outside Diameter		Width				Radial Lub. Hole Diameter	Max Hsg Radius to Clear				
	inch	mm	inch	mm	inch	inch	mm	mm	inch	mm	RPM	lb/N	lb/N	lb
RS 6	.7500	+0/-.0004	1.5000	+0/-.0005	.8750	1.5000	1.5005	.0007	.1250	.0313	5,000	3850	11500	.26
	19.058	+0/-.010	38.115	+0/-.013	22.234	38.115	38.128	0.018	3.176	0.794				
RS 7	.8750	+0/-.0005	1.6250	+0/-.0005	1.0000	1.6250	1.6255	.0007	.1250	.0313	4,400	5560	15550	.34
	22.234	+0/-.013	41.291	+0/-.013	25.410	41.291	41.304	0.018	3.176	0.794				
RS 8	1.0000	+0/-.0005	1.8125	+0/-.0005	1.0625	1.8125	1.8130	.0007	.1250	.0313	4,000	6170	18700	.42
	25.410	+0/-.013	46.056	+0/-.013	26.998	46.056	46.068	0.018	3.176	0.794				
RS 9	1.1250	+0/-.0005	1.9375	+0/-.0005	1.0625	1.9375	1.9875	.0007	.1250	.0313	3,600	6500	20500	.46
	28.586	+0/-.013	49.232	+0/-.013	26.998	49.232	50.502	0.018	3.176	0.794				
RS 10	1.2500	+0/-.0005	2.0625	+0/-.0006	1.0625	2.0625	2.0630	.0007	.1250	.0313	3,300	6830	22400	.49
	31.763	+0/-.013	52.408	+0/-.015	26.998	52.408	52.421	0.018	3.176	0.794				
RS 12	1.5000	+0/-.0005	2.5000	+0/-.0006	1.1250	2.5000	2.5005	.0007	.1250	.0625	2,900	7740	27500	.83
	38.115	+0/-.013	63.525	+0/-.015	28.586	63.525	63.538	0.018	3.176	1.588				
RS 14	1.7500	+0/-.0005	2.7500	+0/-.0006	1.1250	2.7500	2.7505	.0007	.1250	.0625	2,500	8330	31400	.93
	44.468	+0/-.013	69.878	+0/-.015	28.586	69.878	69.890	0.018	3.176	1.588				
RS 16	2.0000	+0/-.0005	3.2500	+0/-.0006	1.1875	3.2499	3.2505	.0007	.1250	.0625	2,000	9820	42200	1.45
	50.820	+0/-.013	82.583	+0/-.015	30.174	82.580	82.595	0.018	3.176	1.588				
RS 20	2.5000	+0/-.0006	3.7500	+0/-.0008	1.2500	3.7498	3.7507	.0010	.1875	.0938	1,700	11200	52900	1.79
	63.525	+0/-.015	95.288	+0/-.020	31.763	95.282	95.305	0.025	4.764	2.382				
RS 22	2.7500	+0/-.0006	4.0000	+0/-.0008	1.2500	3.9998	4.0007	.0010	.1875	.0938	1,500	9920	46700	2.00
	69.878	+0/-.015	101.640	+0/-.020	31.763	101.635	101.658	0.025	4.764	2.382				
RS 24	3.0000	+0/-.0006	4.5000	+0/-.0008	1.3750	4.4998	4.5007	.0010	.1875	.0938	1,400	14500	58100	2.88
	76.230	+0/-.015	114.345	+0/-.020	34.939	114.340	114.363	0.025	4.764	2.382				

\* For bearing properly filled with #1 grease reduce speed by 50%

Metric dimensions for reference only.

Not all parts are available from stock. Please contact customer service for availability (800) 626-2120.

For more information on bearing capabilities outside of our standard offering, please contact Application Engineering (800) 626-2093.