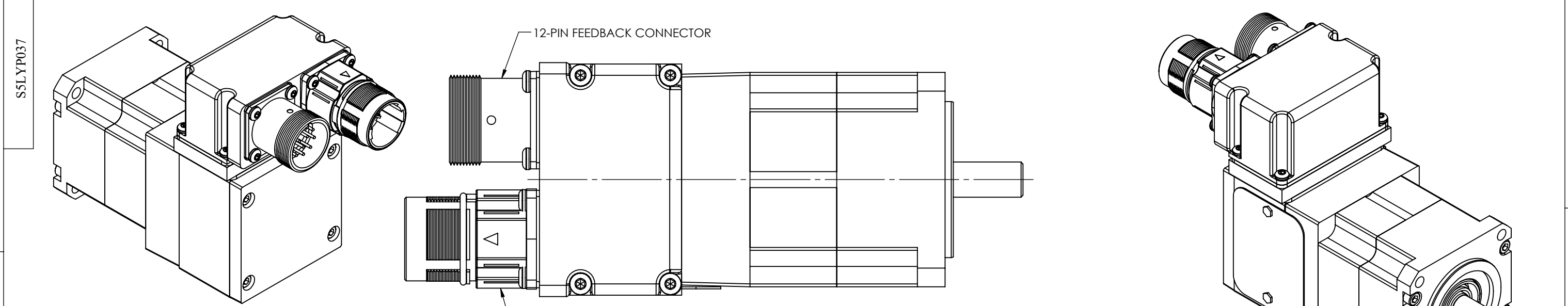
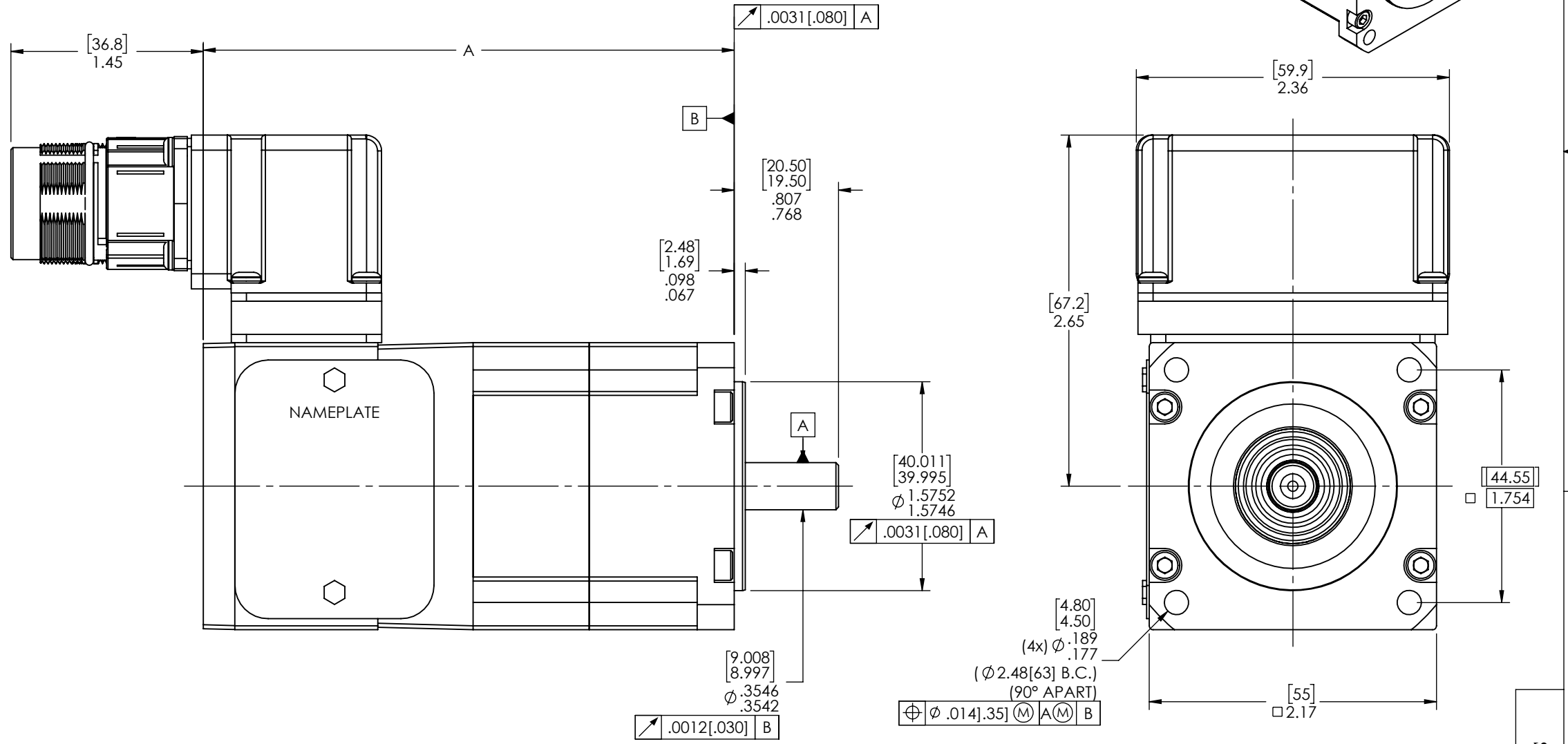
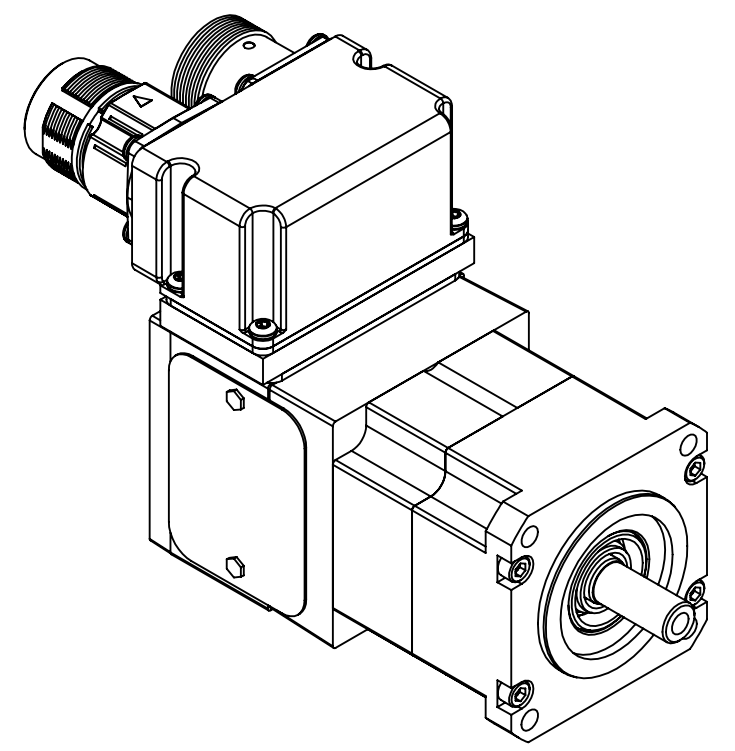
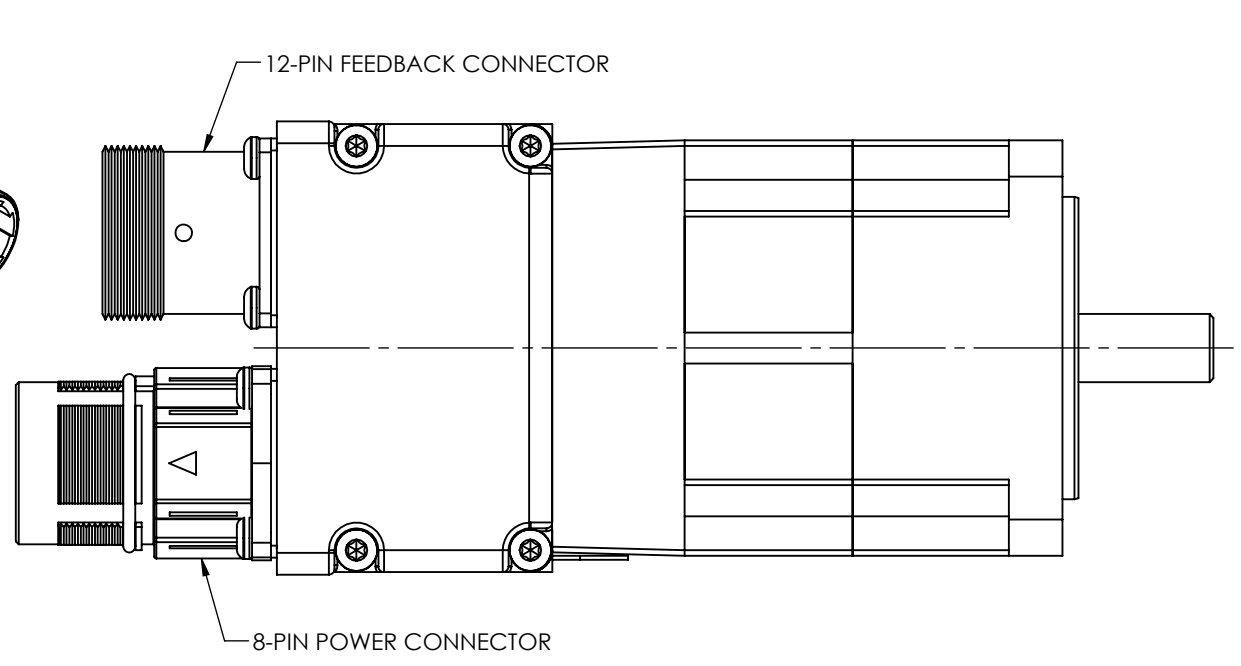
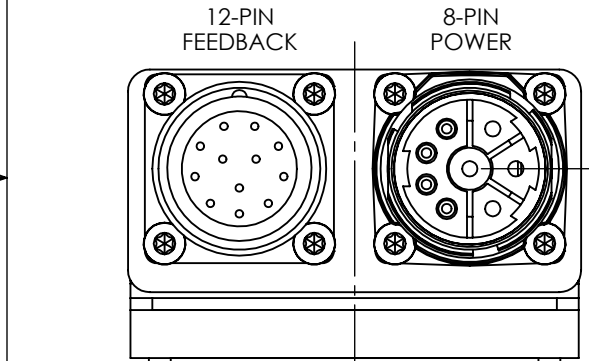


8 7 6 5 4 3 2 1



REF	CODE	A
BSM50A/N-1	07	4.00 [101.7]
BSM50A/N-2	15	5.00 [127.1]
BSM50A/N-3	23	6.00 [152.5]



TOL UNLESS SPEC.
 2 PLC INCH DEC. =
 $\pm .06''$ [1.5mm]
 ANGLES $\pm 0.5^\circ$

CUSTOMER IS RESPONSIBLE FOR DETERMINING THAT BALDOR'S PRODUCT WILL PERFORM SUITABLY IN THE INTENDED APPLICATION

REV. DESC: UPDATE LAYOUT GRAPHICS			
REV: E	VERSION: 04	REVISED: 04:39:56 01/30/2018	TDR: 000001059004
MODEL NO. S5LYP037		REF: -	
BY: ENJEFD0			B

BALDOR

BSM50, RESOLVER & METRIC CONNECTORS FACING ODE

8 7 6 5 4 3 2 1

S5LYP037