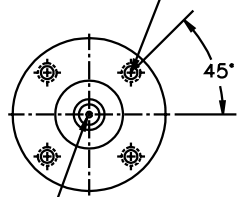


CUSTOMER NAME		MODEL NO.			MTG.		REMARKS:			
CUSTOMER P.O.		FRAME	R.P.M.	VOLTS		PHASE	INSUL			
CERTIFIED BY		H.P.	TYPE	ENCL		FREQ.	AMB.	SHEET 2 OF 3		

UNITS: INCH	SCALE: NONE	PROPORTION: NONE	PART NUMBER 877	DWG. SIZE A
----------------	----------------	---------------------	--------------------	----------------

1/2-13UNC-2B THD X 1.00 DEEP
4-HOLES EQUALLY SPACED
ON A 7.250 DIA. B.C.

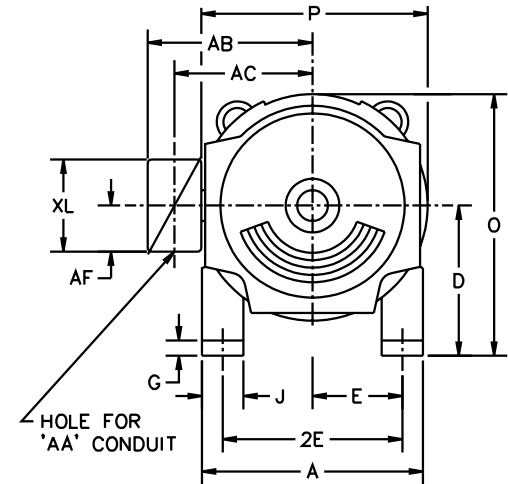
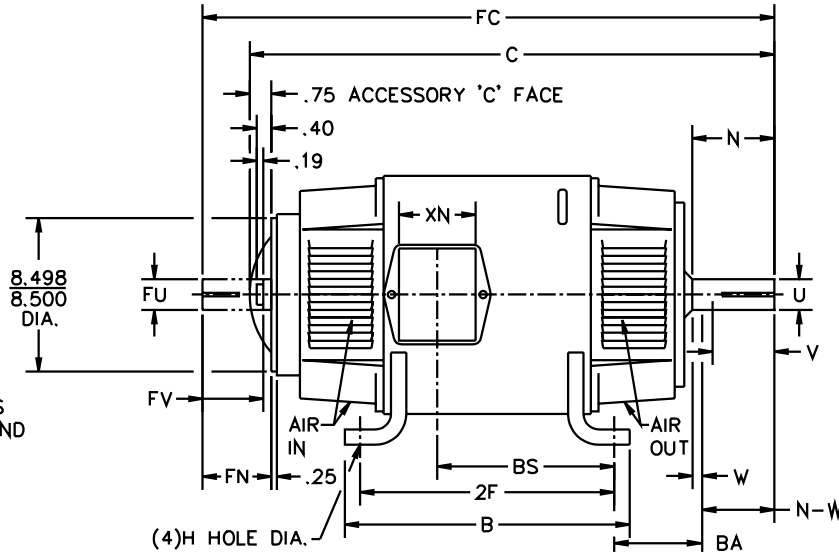


1/2-13 UNC-2B THD'S
1.00 DEEP IN SHAFT END

.40 ACCESSORY 'C' FACE
.19

1.1245
1.1250
DIA.

STANDARD COMM END
FOR SINGLE SHAFT EXTENSION



FRAME	FOOT MOUNTING					D.E. SHAFT EXTENSION					DRIVE KEY		ACC SHAFT EXTENSION			ACC KEY		FRAME							
	BA	E	2F	G	H	J	N	N-Ψ	U	V	Ψ	KEY-SQ.	KEY-LONG	FN	FU	FV	KEY-SQ.	KEY-LONG	A	B	C	FC	D	O	P
407AT	6.63	8.00	18.00	.81	.938	4.00	5.44	5.25	2.625	5.00 ³	.19	.625	4.00	4.95	2.375	4.70	.625	3.50	20.00	20.00	40.13	44.34	10.00 ²	20.19	20.38
L407AT	6.63	8.00	18.00	.81	.938	4.00	5.44	5.25	2.625	5.00 ³	.19	.625	4.00	4.95	2.375	4.70	.625	3.50	20.00	20.00	41.25	45.46	10.00 ²	20.19	20.38
409AT	6.63	8.00	22.00	.81	.938	4.00	5.44	5.25	2.625	5.00 ³	.19	.625	4.00	4.95	2.375	4.70	.625	3.50	20.00	24.00	44.63	48.84	10.00 ²	20.19	20.38
L409AT	6.63	8.00	22.00	.81	.938	4.00	5.44	5.25	2.625	5.00 ³	.19	.625	4.00	4.95	2.375	4.70	.625	3.50	20.00	24.00	45.75	49.96	10.00 ²	20.19	20.38
L4011AT	6.63	8.00	28.00	.81	.938	4.00	5.44	5.25	2.625	5.00 ³	.19	.625	4.00	4.95	2.375	4.70	.625	3.50	20.00	30.00	52.75	56.96	10.00 ²	20.19	20.38

- 1) SHAFT DIAMETERS TO 1.500 TOLERANCE +.0000 -.0005
SHAFT DIAMETERS ABOVE 1.500 TOLERANCE +.0000 -.0010
SHAFT DIAMETERS TO 1.625 RUNOUT .002 T.I.R. MAX.
SHAFT DIAMETERS ABOVE 1.625 RUNOUT .003 T.I.R. MAX.
- 2) 'D' DIMENSION TOLERANCE +.000 -.060
- 3) 'Y' DIMENSION IS MAX. HUB LENGTH ON SHAFT
- 4) CONDUIT BOX CAN BE ROTATED IN 90° STEPS ON ITS OWN AXIS.
- 5) TOTAL WEIGHT OF MOTOR.
- 6) ALL DIMENSIONS NOT NOTED ARE NOMINAL DIMENSIONS CONSULT FACTORY FOR TOLERANCES.

FRAME	CONDUIT BOX							ARM APPROX. WK ² LBS.FT. ²	APPROXIMATE WEIGHT
	AA	AB	AC	AF	BS	XL	XN		
407AT	3	18.28	14.45	3.34	14.50	11.63	7.76	35.47	1317 ⁵
L407AT	3	18.28	14.45	3.34	15.62	11.63	7.76	35.47	1367 ⁵
409AT	3	18.28	14.45	3.34	19.00	11.63	7.76	43.81	1613 ⁵
L409AT	3	18.28	14.45	3.34	20.12	11.63	7.76	43.81	1663 ⁵
L4011AT	4	19.28	14.63	3.50	27.70	13.40	13.50	55.64	2260 ⁵

FOR F1 OR F2 CONDUIT BOX
LOCATION SEE SALES ORDER

DESIGNER CSL 7-19-91	TITLE: DIMENSION SHEET DPFG, STD AT SHEET 2 OF 3		
ENGINEER RFL 7-19-91			
ENGINEER DAG 7-19-91			
MANUF. RWT 7-19-91	PART NUMBER 877	DWG. SIZE A	REV. B

B	54100	ADD L4011AT FRAME	CSL	3-16-1994
REV.	ECO.	DESCRIPTION	BY	DATE