

# PRODUCT INFORMATION PACKET



Model No: LM24355  
Catalog No: LM24355  
0.50 HP Special Voltage Motor, 3 phase, 1800 RPM, 575 V, 56C Frame, TEFC  
575 Volts Motors



Regal and Leeson are trademarks of Regal Beloit Corporation or one of its affiliated companies.  
©2019 Regal Beloit Corporation, All Rights Reserved. MC017097E





### Nameplate Specifications

Output HP	<b>0.50 Hp</b>	Output KW	<b>0.37 kW</b>
Frequency	<b>60 Hz</b>	Voltage	<b>575 V</b>
Current	<b>0.88 A</b>	Speed	<b>1725 rpm</b>
Service Factor	<b>1.15</b>	Phase	<b>3</b>
Efficiency	<b>70 %</b>	Power Factor	<b>64.2</b>
Duty	<b>Continuous</b>	Insulation Class	<b>B</b>
Design Code	<b>B</b>	KVA Code	<b>M</b>
Frame	<b>56C</b>	Enclosure	<b>Totally Enclosed Fan Cooled</b>
Thermal Protection	<b>No</b>	Ambient Temperature	<b>40 °C</b>
Drive End Bearing Size	<b>203</b>	Opp Drive End Bearing Size	<b>203</b>
UL	<b>Recognized</b>	CSA	<b>Y</b>
CE	<b>N</b>	IP Code	<b>43</b>

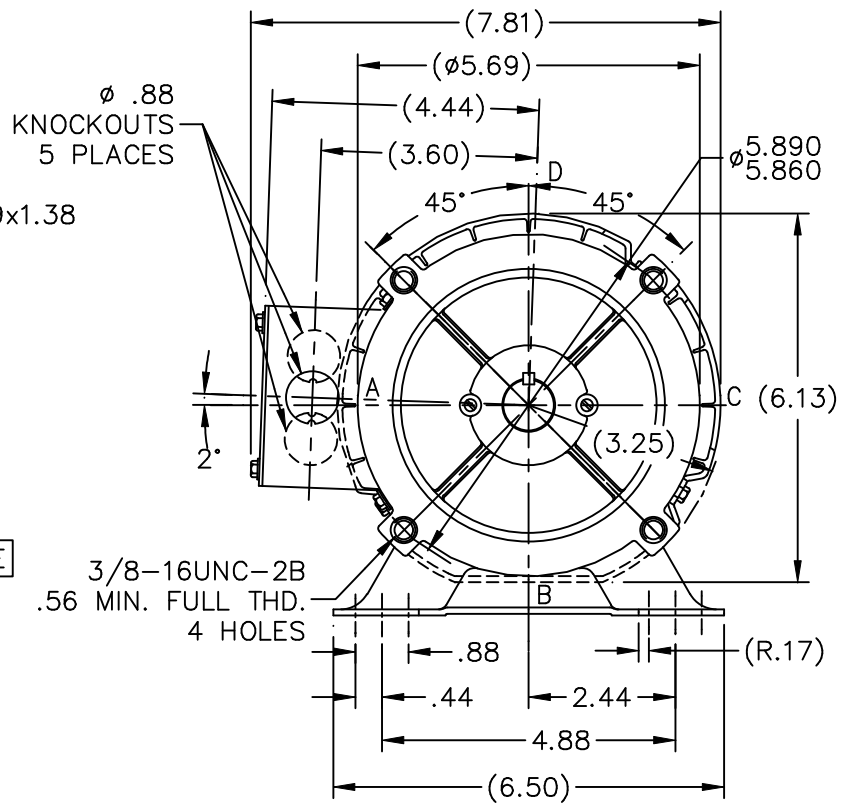
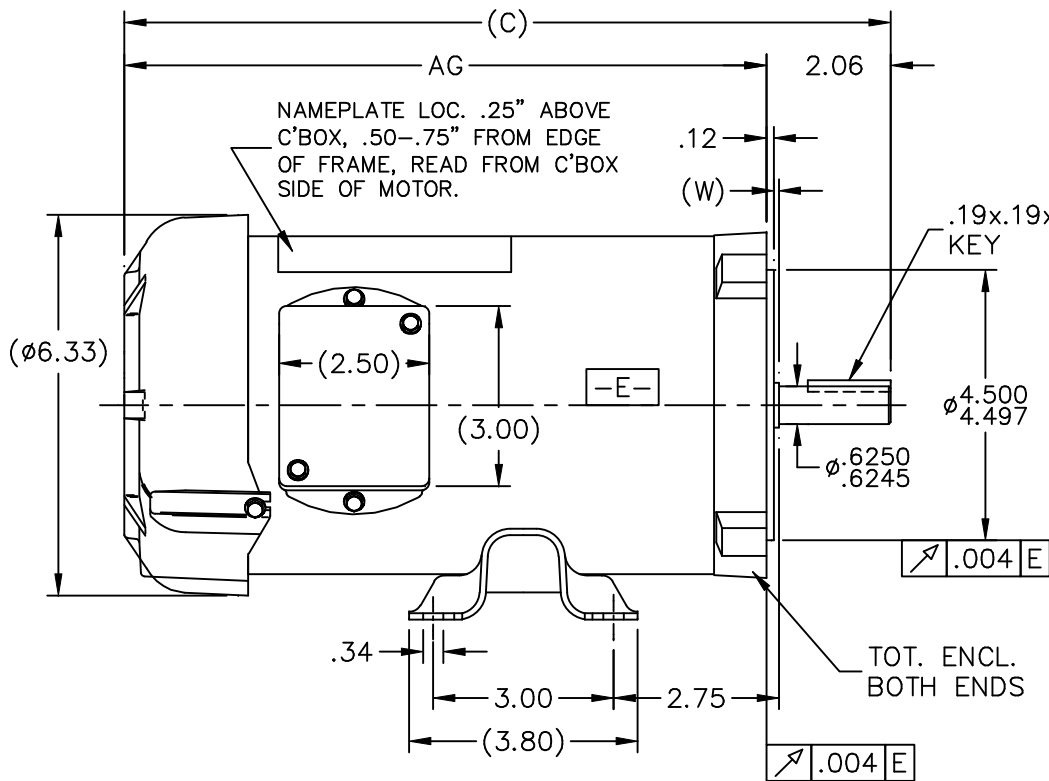
### Technical Specifications

Electrical Type	<b>Squirrel Cage Induction Run</b>	Starting Method	<b>Across The Line</b>
Poles	<b>4</b>	Rotation	<b>Reversible</b>
Resistance Main	<b>59.79 Ohms</b>	Mounting	<b>Rigid base</b>
Motor Orientation	<b>Horizontal</b>	Drive End Bearing	<b>Ball</b>
Opp Drive End Bearing	<b>Ball</b>	Frame Material	<b>Rolled Steel</b>
Shaft Type	<b>Single Special Extension</b>	Overall Length	<b>10.69 in</b>
Frame Length	<b>5.88 in</b>	Shaft Diameter	<b>0.625 in</b>
Shaft Extension	<b>2.06 in</b>	Assembly/Box Mounting	<b>F1 Only</b>

This is an uncontrolled document once printed or downloaded and is subject to change without notice. Date Created:01/11/2019

'W' = CLEARANCE ALLOWED FOR ALL VARIANCES  
IN MANUFACTURING & ASSEMBLY

SS75180LN



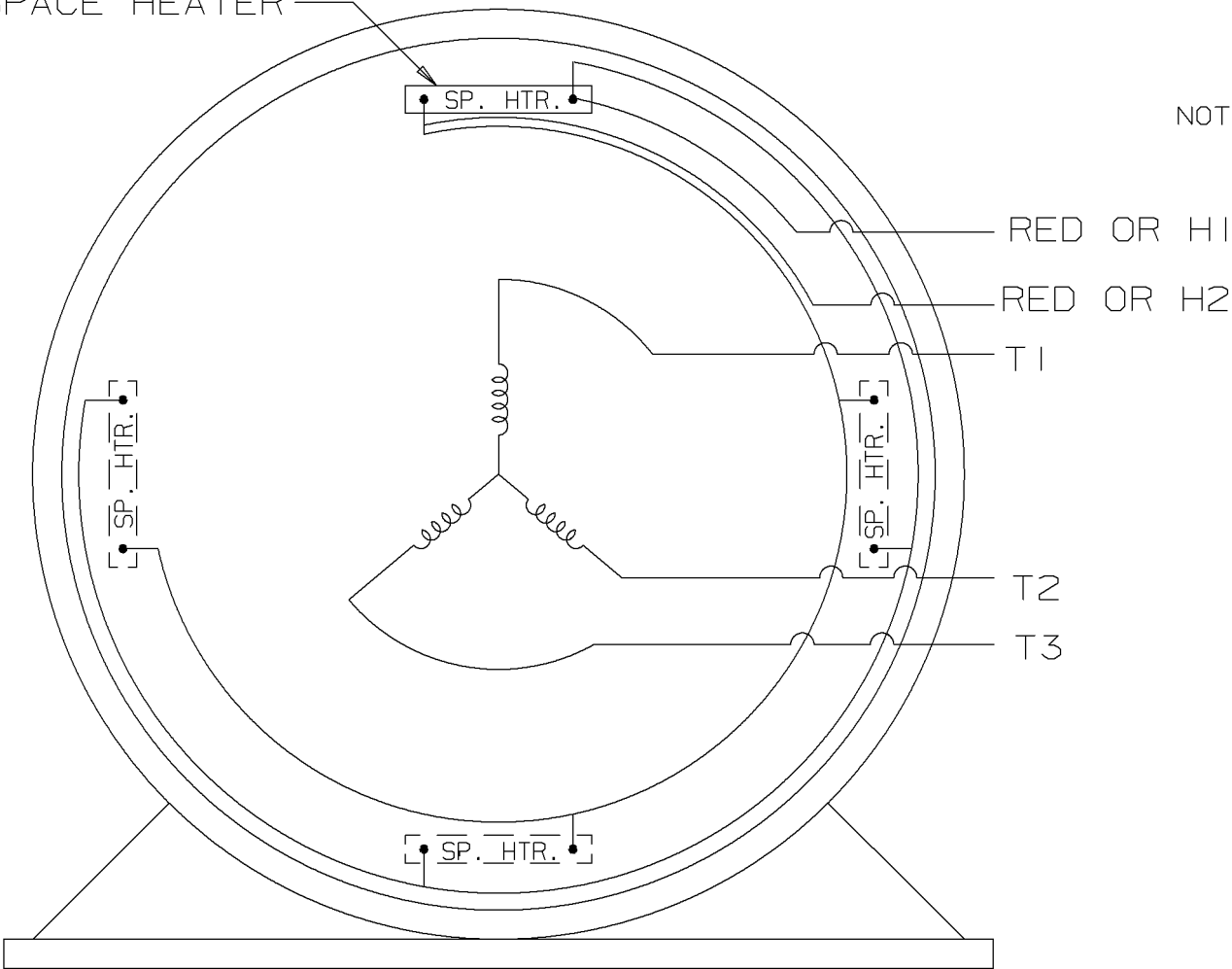
DASH	C	AG	DASH	C	AG
500	9.94	7.88	625	11.19	9.13
525	10.19	8.13	550	10.44	8.38
575	10.69	8.63			

			TOLERANCES UNLESS SPECIFIED		Lincoln MOTORS	DRAWN BLR 06-11-1999					
			DEC.	INCHES		CHK	ML 06-17-1999				
			.X	±.1		APPD	GK 06-17-1999	SCALE	5=16		
			.XX	±.03		TITLE OUTLINE					
			.XXX	±.005	REF						
1	NEW DRAWING	BLR 06-17-1999	.XXXX	±.0005	MAT'L.						
NO.	REVISION	BY & DATE	CHK	ANG	FINISH	PREV					
			RFP	06-17-1999	CAD FILE	ss75180ln	SIZE	DRAWING NO.	PAGE	OF	REV.
			DIST	WP			A	SS75180LN			1

THIS DRAWING IN DESIGN AND DETAIL IS OUR PROPERTY AND MUST NOT BE USED EXCEPT  
IN CONNECTION WITH OUR WORK ALL RIGHTS OF DESIGN AND INVENTION ARE RESERVED  
THIS IS AN ELECTRONICALLY GENERATED DOCUMENT - DO NOT SCALE THIS PRINT

7/26/2007 2:30:56 PM -

SPACE HEATER

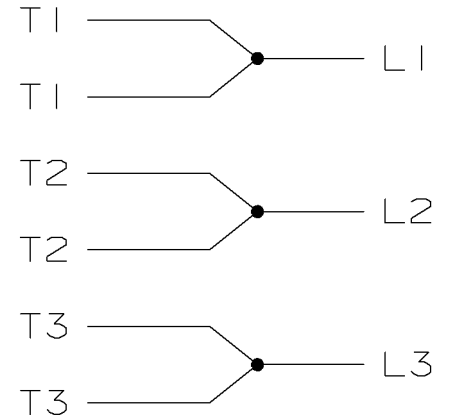


NOTES:


1. WHEN MORE THAN ONE HEATER IS USED, HEATERS MUST BE CONNECTED IN PARALLEL.
2. RED LEADS CONNECTED TO SPACE HEATER CIRCUIT.
3. THREE PHASE MOTOR CONDUIT BOX AT "A" SINGLE VOLTAGE.

VIEW OF TERMINAL END

IF MOTOR HAS 6 LEADS



A-9806 DECAL

						✓ UNLESS OTHERWISE SPECIFIED DIMENSIONS ARE IN INCHES TOL. ON XX± .02    XXX± .005    XXXX± .0005    ANGLES± 7'30"	
						MAX. SURFACE ROUGHNESS UNLESS OTHERWISE NOTED	DRAWN BY DRS
				FINISH	CHKD BY ML	02-10-2000	
				MATERIAL	APPD BY RJM	02-10-2000	
REV	DATE	CHANGE	NAME	PART NAME CONNECTION DIAGRAM 3Ø - SINGLE VOLTAGE			DRWG NO A- EE7300X-LN
				PURCHASED		CADD FILE NO.	EE7300X-LN



1051 CHEYENNE AVE.  
 GRAFTON, WI 53024  
 PH. 262-277-8810

DATA VOLTS: 460

**CERTIFICATION DATA SHEET**

CONN. DIAGRAM: A-EE7300-LN  
 OUTLINE: A-SS75180LN-575  
 WINDING: TE48415

CAT #: LM24355

FR 5

**TYPICAL MOTOR PERFORMANCE DATA**

HP	KW	SYNC RPM	FL RPM	FRAME	ENCLOSURE	TYPE	KVA CODE	DESIGN	
0.5	0.37	1800	1725	56Z	TEFC	TFR	M	B	
PH	HZ	VOLTS	AMPS	START TYPE	DUTY	INSL	S.F.	AMB	ELEV.
3	60	575	.84	ACROSS THE LINE	CONT	B	1.15	40	3300

F.L. EFF	70.0	3/4 LD EFF	68.5	1/2 LD EFF	58.0	GTD EFF	66.0	ELECT. TYPE	SQ CAGE IND RUN
F.L. PF	64.0	3/4 LD PF	55.5	1/2 LD PF	44.5				

F.L. TORQUE	1.52	LB-FT	5.1	L.R. TORQUE	6.6	LB-FT	434%	B.D. TORQUE	7.0	LB-FT	461%	F.L. RISE (° C)	55
-------------	------	-------	-----	-------------	-----	-------	------	-------------	-----	-------	------	-----------------	----

PRESSURE @ 3	60	dbA	69	dbA	69	ROTOR WK <sup>2</sup>	0.05	LB-FT <sup>2</sup>	0	MAX. LOAD WK <sup>2</sup>	0	LB-FT <sup>2</sup>	10	SAFE STALL TIME	0	SEC.	0	STARTS/HOUR	0	MOTOR WGT	23	LB.
--------------	----	-----	----	-----	----	-----------------------	------	--------------------	---	---------------------------	---	--------------------	----	-----------------	---	------	---	-------------	---	-----------	----	-----

\*\*\* SUPPLEMENTAL INFORMATION \*\*\*

DE BRACKET TYPE	ODE BRACKET TYPE	MOUNT TYPE	MOTOR ORIENTATION	SEVERE DUTY	HAZARDOUS LOCATION	DRIP COVER	SCREENS	PAINT
#VALUE!	#VALUE!	RIGID	HORIZONTAL	NO	NONE	NO	NONE	WATTS/SAVER

BEARINGS	GREASE	SHAFT TYPE	SPECIAL DE	SPECIAL ODE	SHAFT MATERIAL	FRAME MATERIAL
DE ODE						
BALL VERIFY	POLYREX EM	SGL SPL EXT	SEE SPL INST	NONE	1144 STRESSPROOF (C-223)	ROLLED STEEL

THERMOSTATS	PROTECTORS	WDG RTD's	BRG RTD's	THERMISTORS	CONTROL	SPACE HEATERS
NONE	NOT	NONE	NONE	NONE	FALSE	NA

R1 (ohms/ph)	0	R2 (ohms/ph)	0	X1 (ohms/ph)	0	X2 (ohms/ph)	0	Xm (ohms/ph)	0	VIBRATION (in/sec)	0.150	FLOAT ODE	
--------------	---	--------------	---	--------------	---	--------------	---	--------------	---	--------------------	-------	-----------	--

* N O T E S *		INVERTER TORQUE: NONE	
		INV. HP SPEED RANGE: NONE	
		ENCODER: NONE	
		BRAKE: NONE	
		FT-LB: N/A	
		VOLTAGE: NONE	
		UL: V-INS, CONST UL REC	
		10 PPR	

DATE: 9/5/2018	
----------------	--

Data Sheet

Date: 9/4/2018

LM24355



Data @ 575 V

Motor Load Data

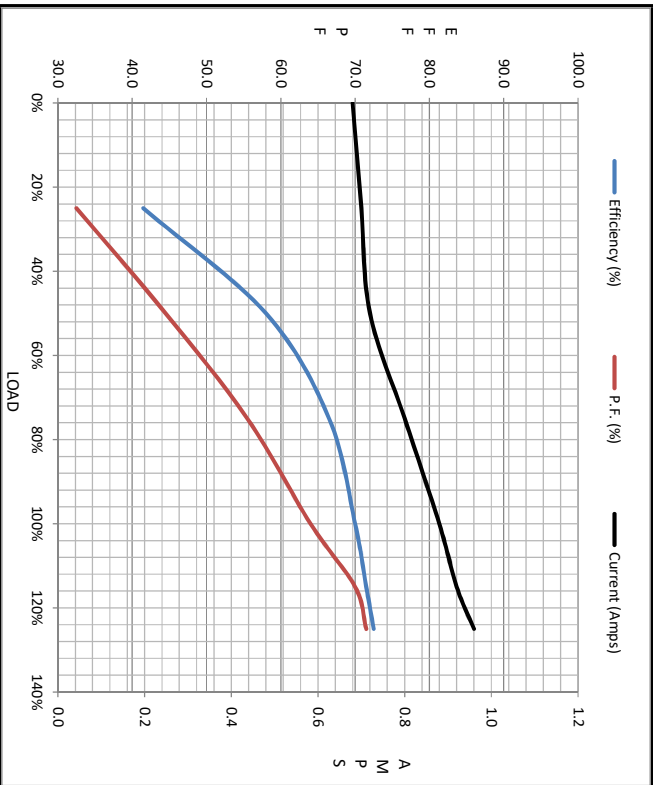
Load	0%	25%	50%	75%	100%	115%	125%	LR
Current (Amps)	0.68	0.70	0.72	0.80	0.88	0.92	0.96	5.1
Torque (ft-lb)	0.00	0.37	0.75	1.10	1.52	1.80	2.00	6.6
RPM	1800	1780	1765	1750	1725	1720	1710	0
Efficiency (%)		41.5	58.0	66.5	70.0	71.5	72.5	
P.F. (%)	20.0	32.5	44.5	55.5	64.0	70.0	71.5	79.5

Motor Speed Data

	LR	Pull-Up	BD	Rated	Idle
Speed (RPM)	0	600	970	1725	1800
Current (Amps)	5.1	4.3	3.8	0.88	0.68
Torque (ft-lb)	6.6	6.3	7.0	1.52	0.00

Information Block

HP	0.5
Sync. RPM	1800
Frame	56
Enclosure	TEFC
Construction	TFR
Voltage	575 V
Frequency	60 Hz
Design	B
LR Code letter	M
Service Factor	1.15
Temp Rise @ FL	55 °C
Duty	CONT
Ambient	40 °C
Elevation	1,000 feet
Rotor/Shaft wk <sup>2</sup>	0.05 Lb-Ft <sup>2</sup>
Ref Wdg	TE#8415 FR
Sound Pressure @ 1M	60 dBA
VFD Rating	NONE
Outline Dwg	A-SS75180L-N-575
Conn. Diag	A-EE7300-1N
Additional Specifications:	
0	
0	
EQUIV CKT (OHMS / PHASE)	
R1	R2
0.0000	0.0000
X1	X2
0.0000	0.0000
Xm	
0.0000	



Speed - Torque Curve

