

PRODUCT INFORMATION PACKET



Model No: SRF4S0.5TLC1C6028

Catalog No: LM24628

..1/2..1800.S56C.TEFC.115/208-230.1.60...1.15..SRF4S0.5TLC1C6028.....

Totally Enclosed Fan Cooled (TEFC)



Regal and Leeson are trademarks of Regal Beloit Corporation or one of its affiliated companies.

©2018 Regal Beloit Corporation, All Rights Reserved. MC017097E





Nameplate Specifications

Output HP	0.50 Hp	Output KW	0.37 kW
Frequency	60 Hz	Voltage	115/208-230 V
Current	8.0/4.0-4.0 A	Speed	1725 rpm
Service Factor	1.15	Phase	1
Efficiency	66 %	Duty	Continuous
Insulation Class	B	Design Code	NO DESIGN CODE
KVA Code	M	Frame	56Z
Enclosure	Totally Enclosed Fan Cooled	Overload Protector	No
Ambient Temperature	40 °C	Drive End Bearing Size	6203
Opp Drive End Bearing Size	6203	UL	Recognized
CSA	Y	CE	N
IP Code	43		

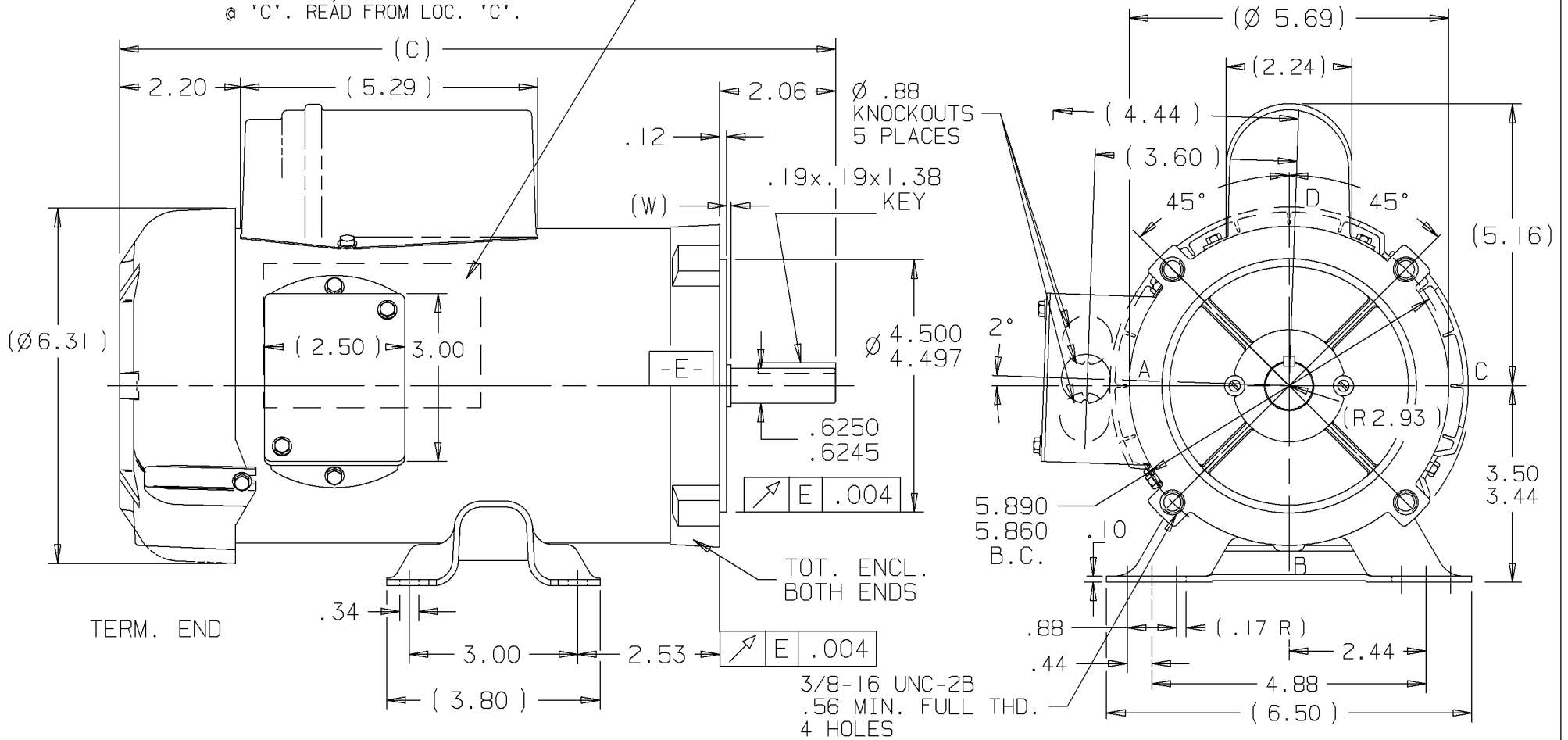
Technical Specifications

Electrical Type	Capacitor Start Induction Run	Starting Method	Across The Line
Poles	4	Rotation	Selective Counterclockwise
Mounting	Rigid base	Motor Orientation	HORIZONTAL
Drive End Bearing	BALL	Opp Drive End Bearing	BALL
Frame Material	Rolled Steel	Shaft Type	Single Special Extension
Overall Length	11.19 in	Frame Length	6.25 in
Shaft Diameter	0.625 in	Shaft Extension	2.06 in
Assembly/Box Mounting	F1 ONLY		
Outline Drawing	A-SS75183LN-625	Connection Diagram	A-EE9023D-LN

NAMEPLATE LOC. .25" BELOW
CAPACITOR, .50" FROM EDGE OF FRAME
@ 'C'. READ FROM LOC. 'C'.

'W' = CLEARANCE ALLOWED FOR ALL VARIANCES
IN MANUFACTURING & ASSEMBLY

A-SS75183LN



DASH	C	DASH	C	DASH	C
525	10.19	625	11.19	700	11.94
575	10.69	650	11.44	725	12.19
600	10.94	675	11.69		

				Lincoln MOTORS		UNLESS OTHERWISE SPECIFIED DIMENSIONS ARE IN INCHES TOL. ON XX±.03 XXX±.005 XXXX±.0005 ANGLES± 7'30"	
				MAX. SURFACE ROUGHNESS UNLESS OTHERWISE NOTED		DRAWN BY DRS 11-24-1999	
				FINISH		CHKD BY ML 11-24-1999	
				MATERIAL		APPD BY GK 11-24-1999	
I 11-24-1999		NEW DRAWING		DRS		PART NAME OUTLINE	
REV DATE		CHANGE		NAME		DRWG NO A-SS75183LN	

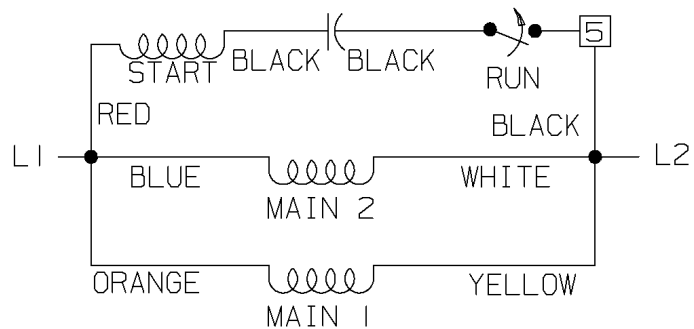
L | PURCHASED

CADD FILE NO.

SS75183LN

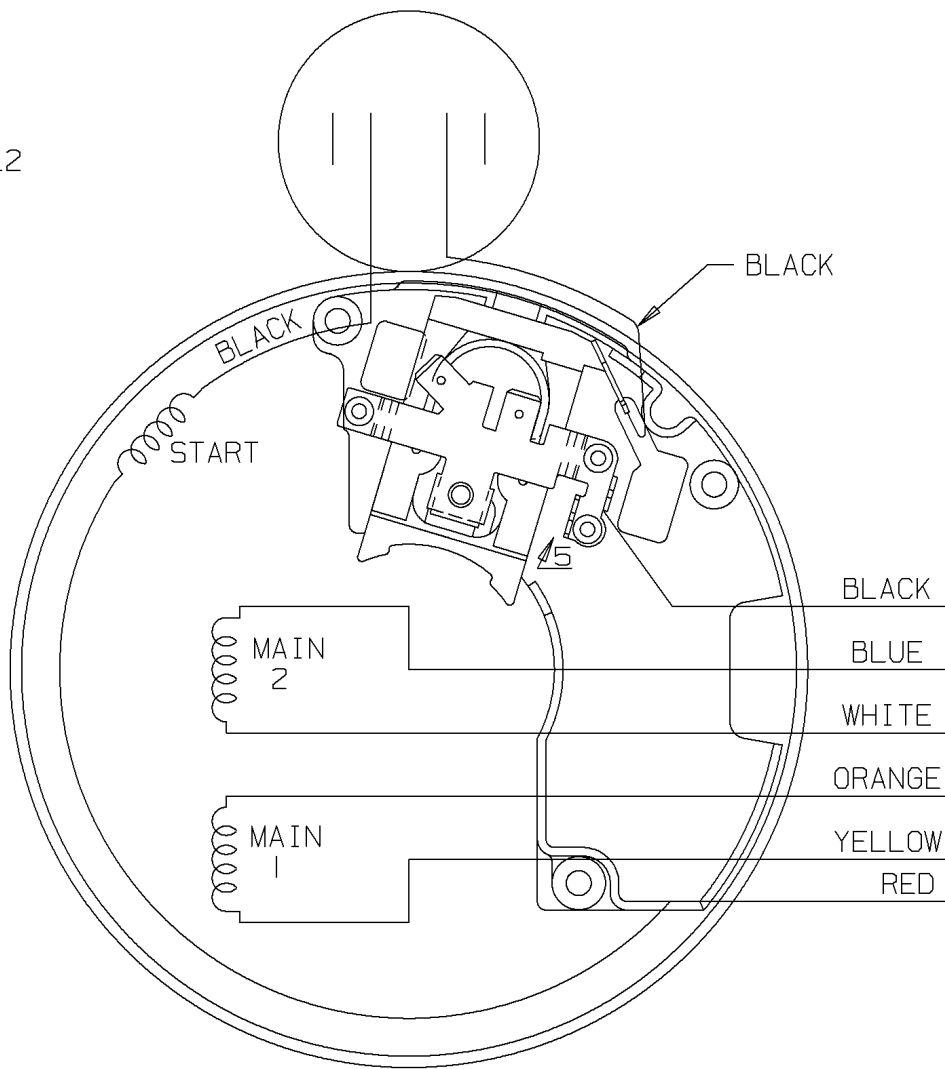
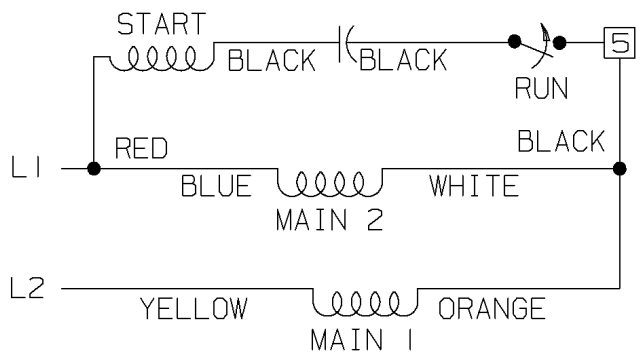
A- EE9023D

LOW VOLTAGE C.C.W.



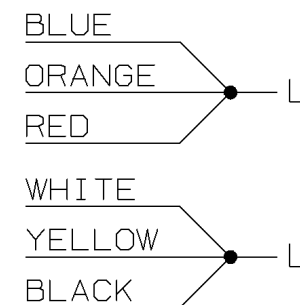
START

HIGH VOLTAGE C.C.W.

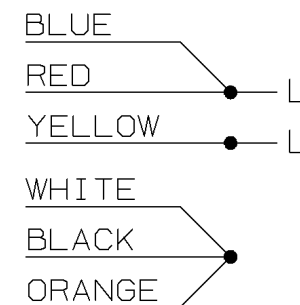


DUAL VOLTAGE
CAPACITOR ST.
NO OVERLOAD
SELECT ROTAT

LOW VOLT. CCW



HIGH VOLT. CCW



FOR CW ROT. EIT
VOLTAGE INTERCH
RED WITH BLACK

A-S4AF4

1	11-24-1999	NEW DRAWING	TJB



UNLESS OTHERWISE SPECIFIED DIMENSIONS ARE IN INCHES TOL. ON XX± .02 XXX± .005 XXXX± .0005 ANGLES±		
✓ MAX. SURFACE ROUGHNESS UNLESS OTHERWISE NOTED		DRAWN BY TJB 11-
FINISH		CHKD BY ML 11-
MATERIAL		APPD BY GK 11-
4 of 5		
PART NAME CONNECTION DIAGRAM		DRWG NO

