

HKKChain

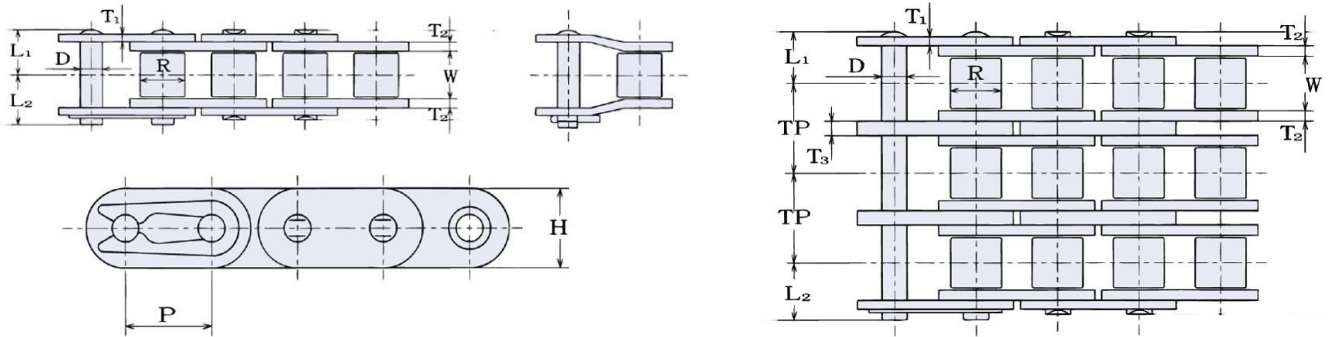


06B

British Standard

Superior Capacity Plus

HKK's precision British Standard roller chains are technologically advanced for high strength and low elongation. HKK Superior Capacity Plus® cold-forged solid rollers and solid bushings, is of the highest quality roller chain available. Meets or exceeds ISO standard R606B. The most suitable selection for most any metric application.



HKK 06B Specifications

HKK Chain Number	Pitch	Roller		Pin Dia.	Plate				Overall Width		Transverse Pitch	Maximum Allowable Load (Lbs)	Average Ultimate Strength (Lbs)	Average Weight Per Foot (Lbs)
		Dia.	Width		Height	P/L Thickness	R/L Thickness	Inner Plate	L1	L2				
		A	B		W	D	H	T1	T2	T3				
HKK 06B									.240	.276		380	2,300	.29
HKK 06B-2	3/8	.250	.225	.129	.457	.039	.049	.063	.449	.480	.403	650	4,100	.55
HKK 06B-3									.650	.677		940	5,950	.84

FEATURES

- Straight Side-Bar
- Solid Bushings & Solid Rollers
- Many other engineered advantages
- Made in Japan

Other Variations

Stainless Steel

Made in Japan

www.HKKChain.com