

# HKKChain

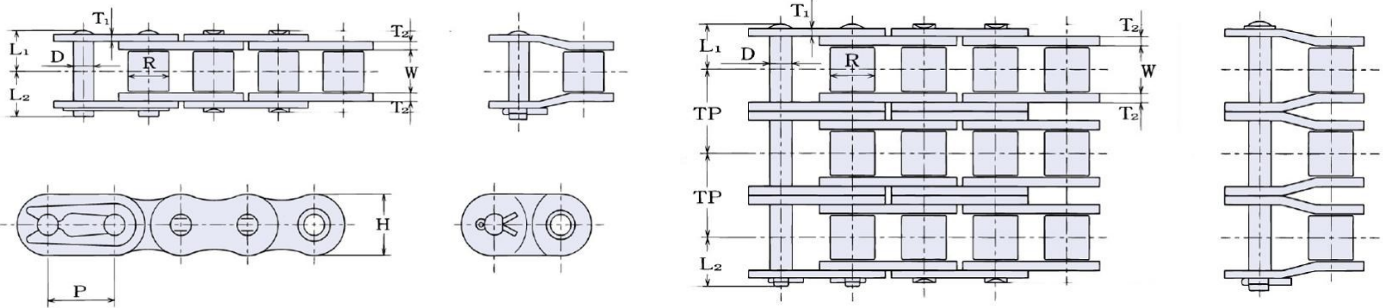


# 32B

## British Standard

### Superior Capacity Plus

HKK's precision British Standard roller chains are technologically advanced for high strength and low elongation. HKK Superior Capacity Plus® cold-forged solid rollers and solid bushings, is of the highest quality roller chain available. Meets or exceeds ISO standard R606B. The most suitable selection for most any metric application.



### HKK 32B Specifications

HKK Chain Number	Pitch	Roller		Pin Dia.	Plate			Overall Width		Transverse Pitch	Maximum Allowable Load (Lbs)	Average Ultimate Strength (Lbs)	Average Weight Per Foot (Lbs)
		Dia.	Width		Height	P/L Thickness	R/L Thickness	L1	L2				
		B	W		H	T1	T2	G					
HKK 32B								1.284	1.550	2.305	11,450	62,500	6.68
HKK 32B-2	2	1.150	1.220	.701	1.642	.250	.272	2.441	2.776		14,945	118,700	13.28
HKK 32B-3								3.594	3.941		21,900	178,100	19.90

#### FEATURES

- Superior Capacity Plus®
- Cold-Forged Solid Bushings
- Wide waist side plates
- Full strength connecting links
- Special alloy pins
- All parts shot peened
- Many other engineered advantages

Other Variations

Aqua-Series II

## Made in Japan

www.HKKChain.com