

PRODUCT INFORMATION PACKET



Model No: SRF6S0.33TCN61
Catalog No: LM24858
1/3,1140,TEFC,56C,3/60/230/460
Totally Enclosed Fan Cooled (TEFC)



Regal and Leeson are trademarks of Regal Beloit Corporation or one of its affiliated companies.
©2018 Regal Beloit Corporation, All Rights Reserved. MC017097E



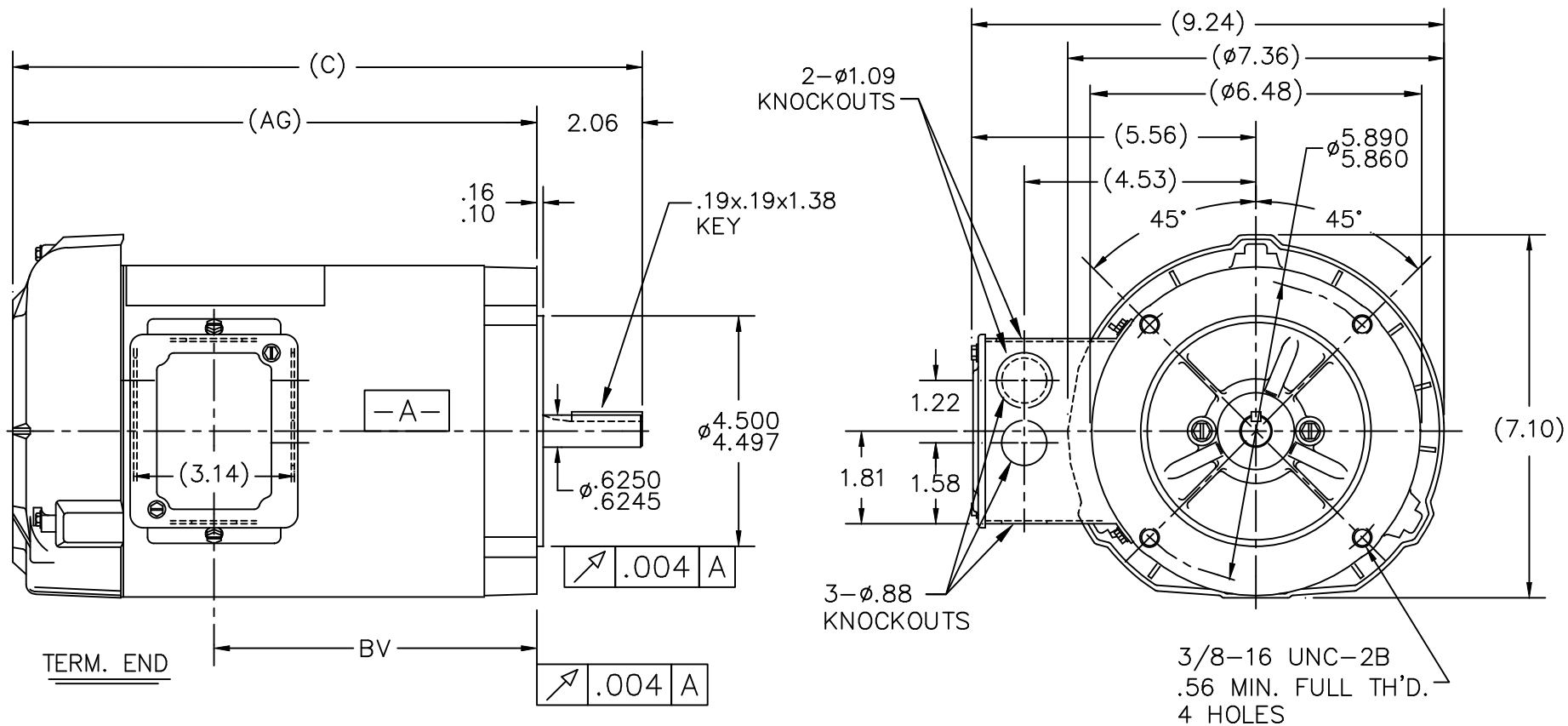


Nameplate Specifications

Output HP	0.33 Hp	Output KW	0.25 kW
Frequency	60 Hz	Voltage	230/460 V
Current	2.2/1.1 A	Speed	1140 rpm
Service Factor	1.15	Phase	3
Efficiency	62 %	Duty	Continuous
Insulation Class	F	Design Code	B
KVA Code	M	Frame	56C
Enclosure	Totally Enclosed Fan Cooled	Overload Protector	No
Ambient Temperature	40 °C	Drive End Bearing Size	203
Opp Drive End Bearing Size	203	UL	Recognized
CSA	Y	CE	N
IP Code	43		

Technical Specifications

Electrical Type	Squirrel Cage Induction Run	Starting Method	Across The Line
Poles	6	Rotation	Reversible
Mounting	Round	Motor Orientation	HORIZONTAL
Drive End Bearing	BALL	Opp Drive End Bearing	BALL
Frame Material	Rolled Steel	Shaft Type	NEMA 56
Overall Length	11.32 in	Frame Length	6.06 in
Shaft Diameter	0.625 in	Shaft Extension	1.88 in
Assembly/Box Mounting	F1 ONLY		
Outline Drawing	A-100103LN-606	Connection Diagram	A-EE7308-LN



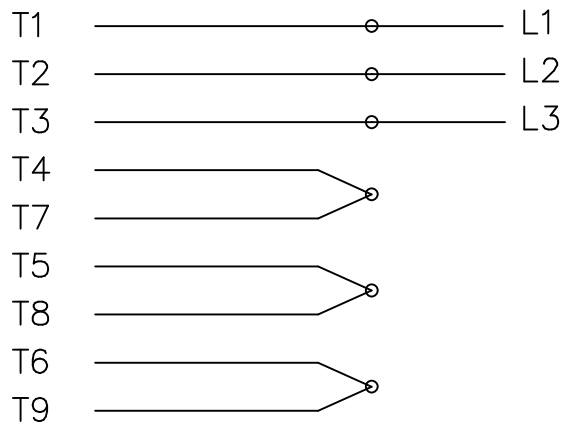
NOTE:
 1. NAMEPLATE READ FROM CONDUIT BOX SIDE.
 2. METAL NP READ FROM TERM END.

DASH	FR.	C	AG	BV	DASH	FR.	C	AG	BV
606	56-60	11.32	9.25	5.31	806	56-80	13.32	11.25	7.31
656	"-65	11.82	9.75	5.81	856	"-85	13.82	11.75	7.81
706	"-70	12.32	10.25	6.31	906	"-90	14.32	12.25	8.31
756	"-75	12.82	10.75	6.81	956	"-95	14.82	12.75	8.81

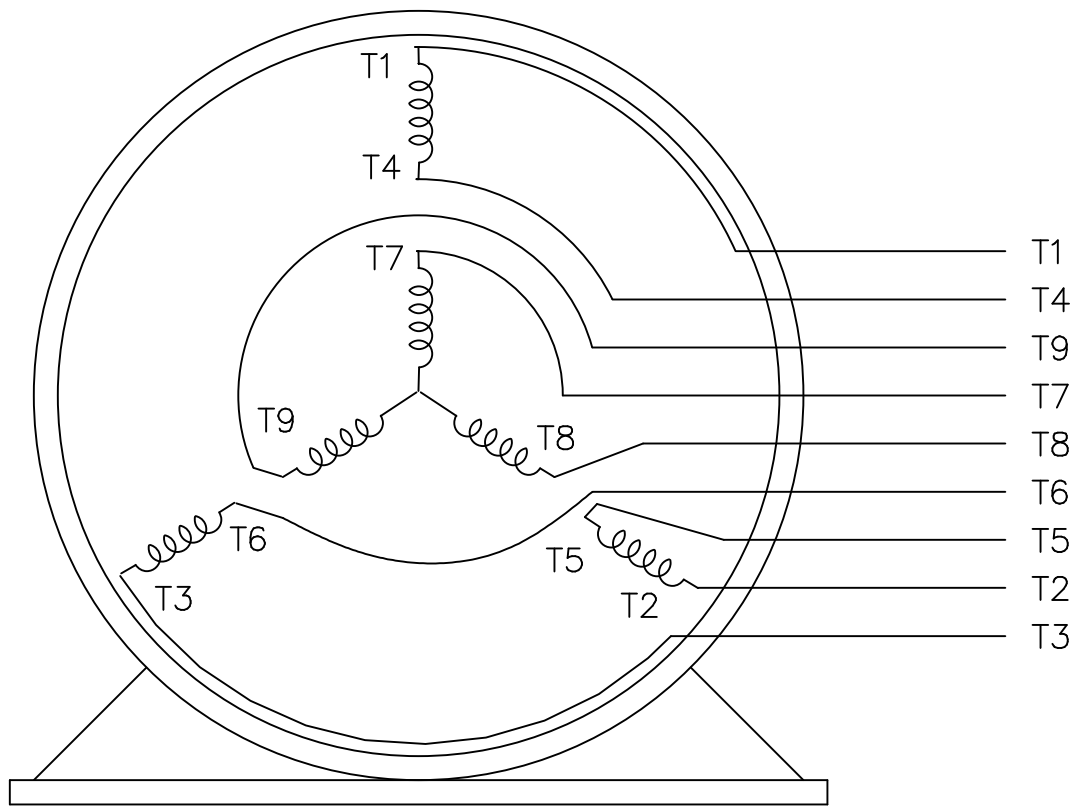
				TOLERANCES UNLESS SPECIFIED		Lincoln MOTORS		DRAWN RWR 03/11/2004		
				DEC.	INCHES			CHK	ML 03/12/2004	
				.X	±.1			APPD	GK 03/12/2004	
3	ADDED NOTE & 2	CN29200-3978	RJW 01-13-2005	.XX	±.03	TITLE OUTLINE		SCALE	5=16	
2	DELETED NOTES 2 & 3		RJW 10-18-2004	.XXX	±.005	56 FR. -TEFC -'C'FACE		REF	CN32620	
1	REVISED NAMEPLATE NOTE.	MU50676	NJS 05-11-2004	ML .XXXX	±.0005	MAT'L.		FMF		
NO.	REVISION	BY & DATE	CHK	ANG	±1/2'	FINISH	PREV			
THIS DRAWING IN DESIGN AND DETAIL IS OUR PROPERTY AND MUST NOT BE USED EXCEPT IN CONNECTION WITH OUR WORK ALL RIGHTS OF DESIGN AND INVENTION ARE RESERVED THIS IS AN ELECTRONICALLY GENERATED DOCUMENT - DO NOT SCALE THIS PRINT			RFP	CAD FILE 100103ln			SIZE	DRAWING NO.	PAGE 1 OF 1	REV.
			DIST	WP			A	100103LN	3	

THREE PHASE
DUAL VOLTAGE MOTOR

HIGH VOLTAGE



LOW VOLTAGE



VIEW OF TERMINAL END

REF.
WINDING DIAGRAM

T8Y, T2Y, T2BL, T4BX, T2EC, T2G
T6BZ, T2B, T6BL, T4AV, T6B, T4B

OPTIONAL CORD
CONNECTION

L1 — WHITE
L2 — RED
L3 — BLACK

NO.	REVISION	BY & DATE	CHK	TOLERANCES UNLESS SPECIFIED		FINISH	DRAWN	ML	GK	SCALE	REF	FMF	PREV
				DEC.	INCHES								
				.X	±.1		BLR	ML	GK	1=1			
3	ADDED THE OPTIONAL CORD CONNECTION MU46318	RDH 04/24/2003	DRS	.XX	±.02	TITLE CONNECTION DIAGRAM							
2	RE-ISSUE, ADDED '-' TO PART NUMBER	BLR 08/09/1999	GK	.XXX	±.005	3∅ - DUAL VOLTAGE MOTOR							
1	NEW DRAWING	BLR 06/18/1999	GK	.XXXX	±.0005	MAT'L.							
				ANG	±7'30"								
			RFP			CAD FILE EE7308LN	SIZE	DRAWING NO.	PAGE	OF	REV.		
			DIST	WP			A	EE7308-LN			3		



DRAWN BLR 06/11/1999

CHK ML 06/18/1999

APPD GK 06/18/1999

THIS DRAWING IN DESIGN AND DETAIL IS OUR PROPERTY AND MUST NOT BE USED EXCEPT IN CONNECTION WITH OUR WORK ALL RIGHTS OF DESIGN AND INVENTION ARE RESERVED THIS IS AN ELECTRONICALLY GENERATED DOCUMENT - DO NOT SCALE THIS PRINT



Motor Load Data

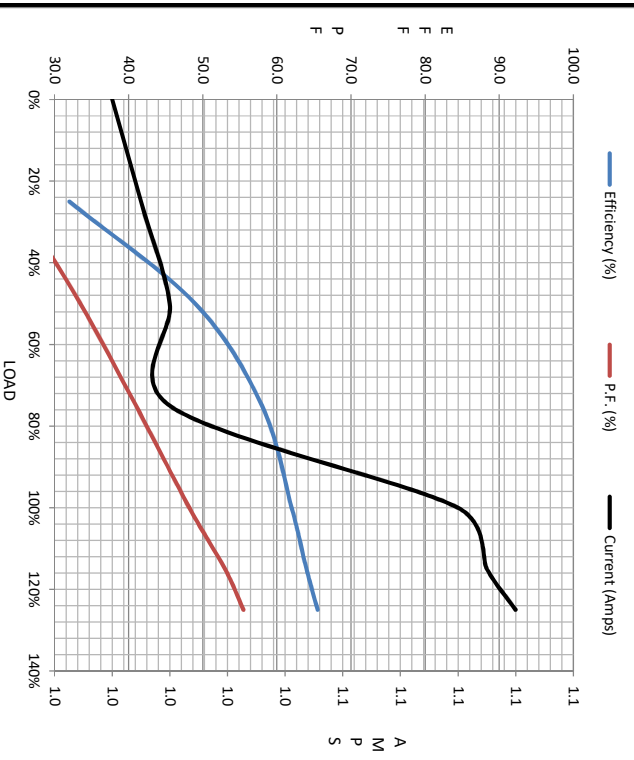
Load	0%	25%	50%	75%	100%	115%	125%	LR
Current (Amps)	0.98	0.99	1.00	1.00	1.10	1.11	1.12	4.6
Torque (ft-lb)	0.00	0.35	0.76	1.10	1.50	1.70	2.00	5.0
RPM	1200	1195	1180	1160	1140	1.137	1.135	0
Efficiency (%)						64.0	65.5	
P.F. (%)	0.0	25.0	33.5	41.0	48.2	53.0	55.5	71.0

Motor Speed Data

	LR	Pull-Up	BD	Rated	Idle
Speed (RPM)	0	400	920	1140	1200
Current (Amps)	4.6	4.1	3.1	1.10	0.98
Torque (ft-lb)	5.0	4.5	6.4	1.50	0.00

Information Block

HP	0.3			
Sync. RPM	1200			
Frame	56			
Enclosure	TEFC			
Construction	TFR			
Voltage	230/460 V			
Frequency	60 Hz			
Design	B			
LR Code letter	M			
Service Factor	1.15			
Temp Rise @ FL	60 °C			
Duty	CONT			
Ambient	40 °C			
Elevation	1,000 feet			
Rotor/Shaft wk²	0.04 LB-Ft²			
Ref Wdg	Z1605 NONE			
Sound Pressure @ 1M	62 dBA			
VFD Rating	NONE			
Outline Dwg	A-100103LN-606			
Conn. Diag	A-EE7308-1N			
Additional Specifications:				
0				
EQUIV CKT (OHMS / PHASE)				
R1	R2	X1	X2	Xm
0.0000	0.0000	0.0000	0.0000	0.0000



Speed - Torque Curve

