

HKKChain

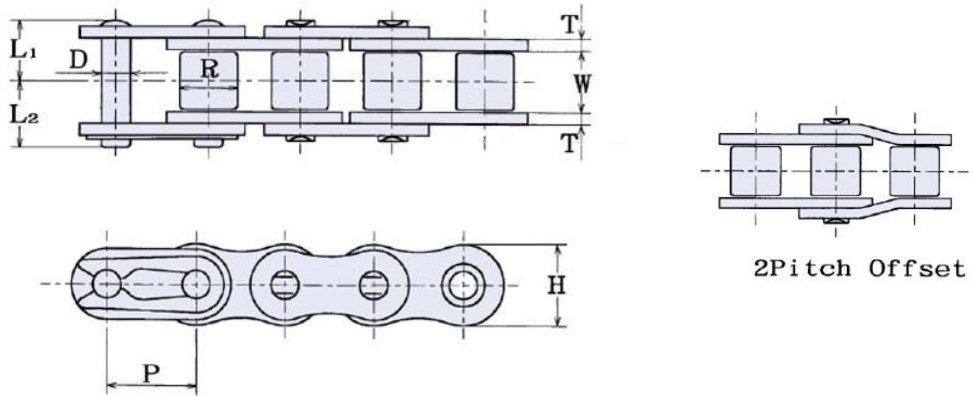


25 Roller Chain

Superior Capacity Plus

HKK's precision power transmission roller chains are technologically advanced for high strength and low elongation. Meets or exceeds ANSI standard B29.1. Manufactured in Japan.

Number 25 chain has spring clip connecting links and requires 2-pitch offset links



HKK ANSI #25 Specifications

HKK Chain Number	Pitch	Roller		Pin	Plate		Overall Width		Transverse	Maximum Allowable Load (Lbs)	Average Ultimate Strength (Lbs)	Average Weight Per Foot (Lbs)
		Dia.	Width	Dia.	Height	Thickness						
	A	B	W	D	H	T	L1	L2	G			
HKK 25	1/4	0.130	1/8	0.0905	.236	.030	0.150	0.185	-	140	1,050	0.09

FEATURES

- Rollerless
- Special alloy pins
- Uses 2-Pitch Offset Links

Other Variations

- Stainless Steel
- Nickel Plated

Made in Japan

www.HKKChain.com