

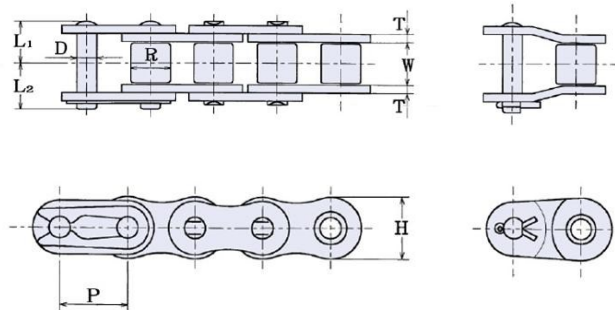
HKKChain



41 Roller Chain

Superior Capacity Plus

HKK's precision power transmission roller chains are technologically advanced for high strength and low elongation. Meets or exceeds ANSI standard B29.1. The most suitable selection for most any application. Made in Japan.



HKK ANSI #41 Specifications

HKK Chain Number	Pitch A	Roller		Pin	Plate		Overall Width		Transverse G	Maximum Allowable Load (Lbs)	Average Ultimate Strength (Lbs)	Average Weight Per Foot (Lbs)
		Dia.	Width	Dia.	Height	Thickness	L1	L2				
		B	W	D	H	T						
HKK 41	1/2	0.306	1/4	0.141	.386	.050	0.266	0.312	-	500	2,600	0.27

FEATURES

- Solid Bushings
- Special alloy pins
- All parts shot peened
- Many other engineered advantages

Other Variations

- Stainless Steel
- Nickel Plated

Made in Japan

www.HKKChain.com