

HKKChain

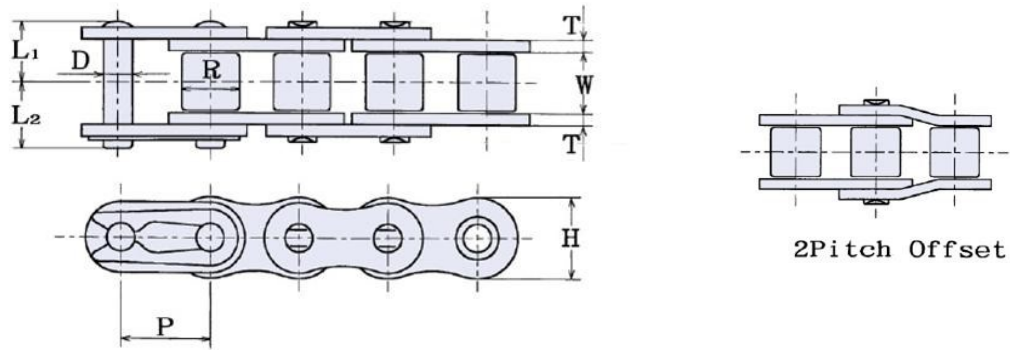


25SS Roller Chain

Stainless Steel

HKK's precision stainless steel roller chains are manufactured from 300 series stainless steel, to achieve the utmost corrosion and temperature resistance. Manufactured in accordance with ANSI B29.1 dimensional standards. Manufactured in Japan.

Number 25 chain has spring clip connecting links and requires 2-pitch offset links



HKK #25 Stainless Steel Specifications

HKK Chain Number	Pitch	Roller		Pin	Plate		Overall Width		Transverse	Maximum Allowable Load (Lbs)	Average Ultimate Strength (Lbs)	Average Weight Per Foot (Lbs)
		Dia.	Width	Dia.	Height	Thickness						
		A	B	W	D	H	T	L1				
HKK 25 SS	1/4	0.130	1/8	0.0905	.236	.030	0.150	0.185	-	22	880	0.09

FEATURES

- Made from highly corrosion resistant 304 Stainless Steel
- Recommended for -40°F to 800°F
- Uses 2-Pitch Offset Links
- Supplied lubrication free

Other Variations

- Carbon Steel
- Nickel Plated

Made in Japan

www.HKKChain.com