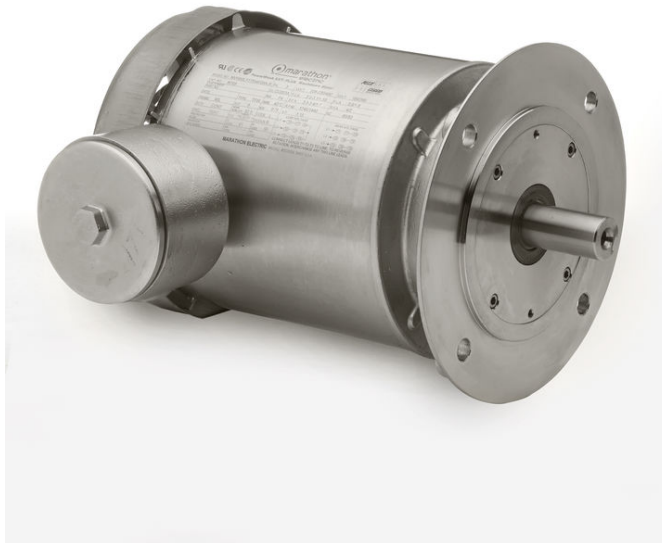


# PRODUCT INFORMATION PACKET

Model No: 080T17V5331  
Catalog No: R703  
1/2, 1800, TENV, 80, 3/60/208-230/460  
Washdown Duty



Regal and Marathon are trademarks of Regal Beloit Corporation or one of its affiliated companies.  
©2018 Regal Beloit Corporation, All Rights Reserved. MC017097E





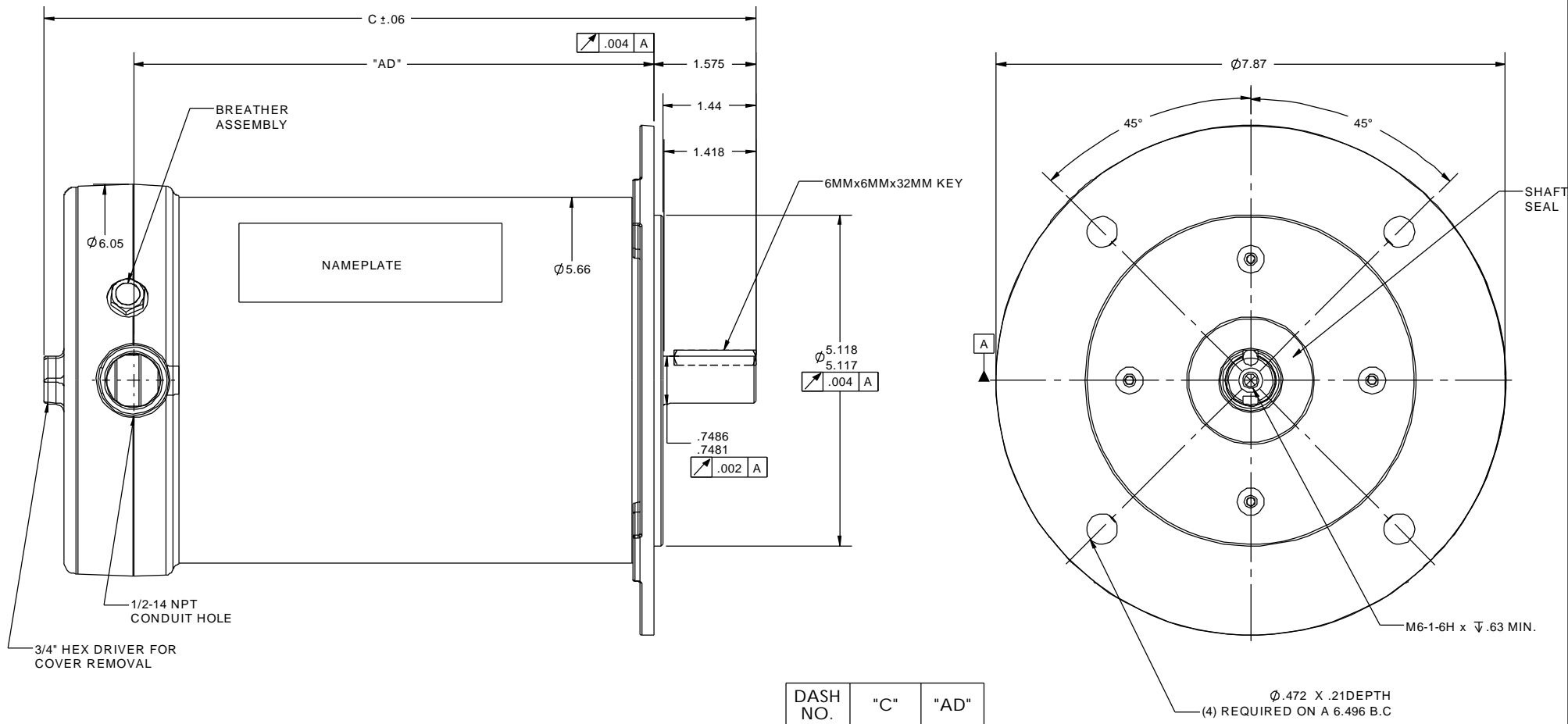
### Nameplate Specifications

Output HP	<b>0.5 Hp</b>	Output KW	<b>0.37 kW</b>
Frequency	<b>60 Hz</b>	Voltage	<b>208-230/460 V</b>
Current	<b>1.9-1.8/0.9 A</b>	Speed	<b>1725 rpm</b>
Service Factor	<b>1.15</b>	Phase	<b>3</b>
Efficiency	<b>76 %</b>	Duty	<b>CONTINUOUS</b>
Insulation Class	<b>F</b>	Design Code	<b>B</b>
KVA Code	<b>K</b>	Frame	<b>80</b>
Enclosure	<b>TENV</b>	Overload Protector	<b>NOT</b>
Ambient Temperature	<b>40 °C</b>	Drive End Bearing Size	<b>6204</b>
Opp Drive End Bearing Size	<b>6204</b>	UL	<b>Recognized</b>
CSA	<b>Y</b>	CE	<b>Y</b>
IP Code	<b>56</b>		

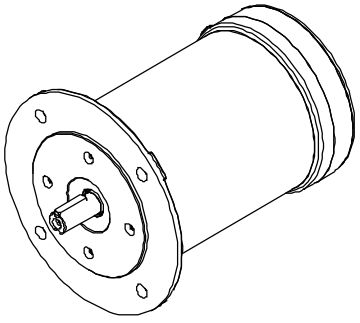
### Technical Specifications

Electrical Type	<b>SQ CAGE IND RUN</b>	Starting Method	<b>ACROSS THE LINE</b>
Poles	<b>4</b>	Rotation	<b>REV</b>
Mounting	<b>ROUND</b>	Motor Orientation	<b>HORIZONTAL</b>
Drive End Bearing	<b>BALL</b>	Opp Drive End Bearing	<b>BALL</b>
Frame Material	<b>STAINLESS STEEL</b>	Shaft Type	<b>STANDARD IEC</b>
Overall Length	<b>11.47 in</b>	Shaft Diameter	<b>0.75 in</b>
Shaft Extension	<b>1.57 in</b>	Assembly/Box Mounting	<b>F1 ONLY</b>
Outline Drawing	<b>031996ME-725</b>	Connection Diagram	<b>005010.01ME</b>

This is an uncontrolled document once printed or downloaded and is subject to change without notice. Date Created: 04/05/2018



DASH NO.	"C"	"AD"
550	9.72	6.75
600	10.22	7.25
650	10.72	7.75
700	11.22	8.25
725	11.47	8.50
750	11.72	8.75



NO		REVISION	BY & DATE	CHK	LANG	±1/2°	FINISH			DRAWN PVR 10/09/13 CHK JD 10/09/13 APPR SCALE 1:4 REF 031996 FMF 080117V5326 PAGE 1 OF 1	
THIRD ANGLE PROJECTION				RFP	PREV	SIZE	DRAWING NO	REV			
				NETWORK FILE NAME 031996ME				B	031996ME		

VIEW FROM OUTSIDE OF MOTOR AT SWITCH END.



VOLTAGE	L1	L2	L3	JOIN & INSULATE
HIGH	T1	T2	T3	(T4,T7) (T5,T8) (T6,T9)
LOW	T1,T7	T2,T8	T3,T9	T4,T5,T6

		TOLERANCES UNLESS SPECIFIED		DRAWN RDW 04/12/02					
		DEC.	INCHES	CHK					
		.X	±.1	APPD					
		.XX	±.01	SCALE 1=1					
		.XXX	±.005	REF FIG.2-51					
		.XXXX	±.0005	FMF					
NO.	REVISION	BY & DATE	CHK	ANG	FINISH	PREV			
				±1/2"					
THIS DRAWING IN DESIGN AND DETAIL IS OUR PROPERTY AND MUST NOT BE USED EXCEPT IN CONNECTION WITH OUR WORK ALL RIGHTS OF DESIGN AND INVENTION ARE RESERVED THIS IS AN ELECTRONICALLY GENERATED DOCUMENT - DO NOT SCALE THIS PRINT			RFP	04/12/02	CAD FILE	00501001ME	SIZE	DRAWING NO.	REV.
			DIST				A	005010-01ME	



TITLE EXTERNAL WIRING DIAGRAM  
3 PHASE W/O PROTECTOR  
MAT'L. DECAL - 004014

