

PRODUCT INFORMATION PACKET

Model No: 184TTDR7230
Catalog No: Y468
3,1800/900,DP,184T,3/60/460
Other Purpose



Regal and Marathon are trademarks of Regal Beloit Corporation or one of its affiliated companies.
©2018 Regal Beloit Corporation, All Rights Reserved. MC017097E



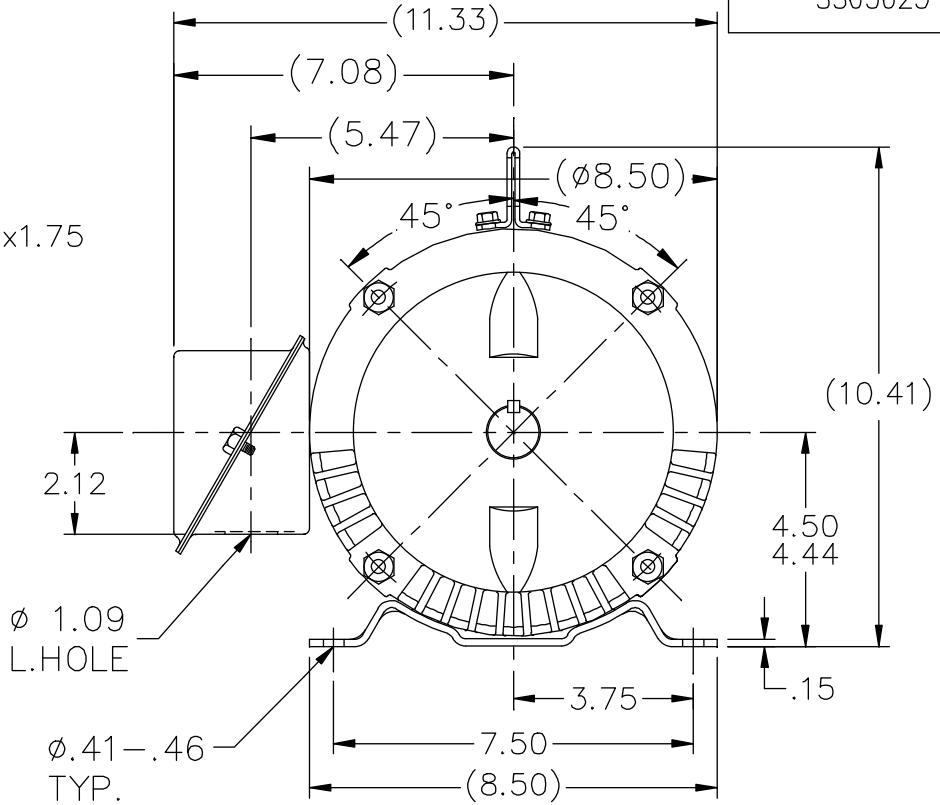
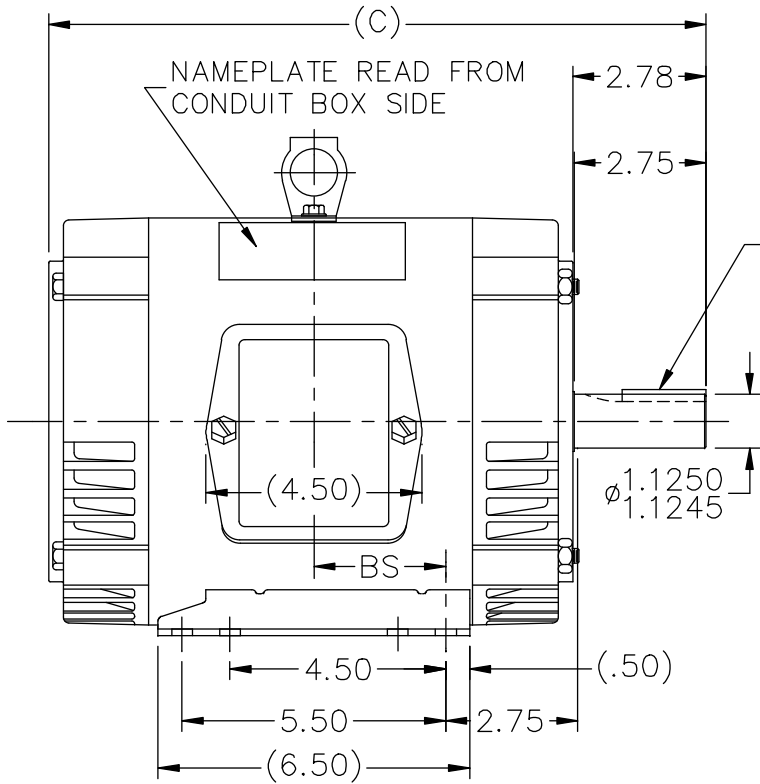
Nameplate Specifications

Output HP	3,.75 Hp	Output KW	2.24 kW
Frequency	60 Hz	Voltage	460 V
Current	4.3,1.8 A	Speed	1755,870 rpm
Service Factor	1.15	Phase	3
Efficiency	82.5 %	Duty	CONTINUOUS
Insulation Class	B	Design Code	2VT
KVA Code	K	Frame	184T
Enclosure	DP	Overload Protector	NOT
Ambient Temperature	40 °C	Drive End Bearing Size	6206
Opp Drive End Bearing Size	6203	UL	Recognized
CSA	Y	CE	Y
IP Code	22		

Technical Specifications

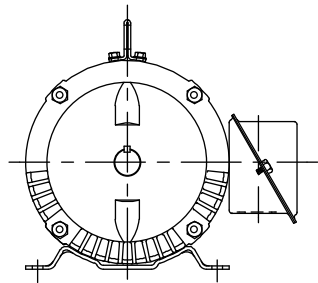
Electrical Type	SQ CAGE IND RUN	Starting Method	ACROSS THE LINE
Poles	4//8	Rotation	REV
Mounting	RIGID	Motor Orientation	HORIZONTAL
Drive End Bearing	BALL	Opp Drive End Bearing	BALL
Frame Material	ROLLED STEEL	Shaft Type	T
Overall Length	13.72 in	Frame Length	6.75 in
Shaft Diameter	1.13 in	Shaft Extension	2.75 in
Assembly/Box Mounting	F1/F2 CAPABLE		
Outline Drawing	A-SS65625-675	Connection Diagram	A-EE7317

SS65625



BOX CAN BE ROTATED IN 90° STEPS.

DASH	FR.	C	BS	MOUNTING	DASH	FR.	C	BS	MOUNTING
575	182T	12.72	2.25	F1 OR F2	775	182T	14.72	3.25	F1 ONLY
625	182T	13.22	2.50	F1 OR F2	775	184T	14.72	3.25	F1 ONLY
675	182T	13.72	2.75	F1 OR F2	825	184T	15.22	3.50	F1 ONLY
675	184T	13.72	2.75	F1 OR F2	875	184T	15.72	3.75	F1 ONLY
725	182T	14.22	3.00	F1 ONLY	925	184T	16.22	4.00	F1 ONLY
725	184T	14.22	3.00	F1 ONLY					



F2 VIEW (WHEN APPLICABLE)

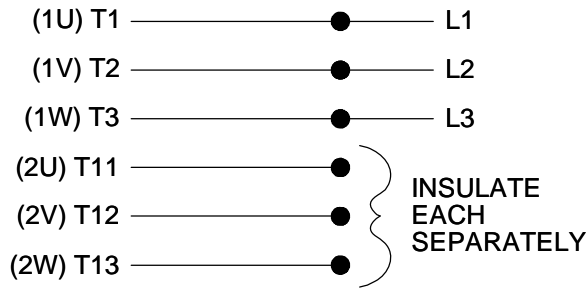
NO.		REVISION		BY & DATE		CHK		ANG		±'30"		FINISH		PREV		
14	UPDATED DRAWING			RJW	04-20-2007											
13	REDRAWN IN AUTOCAD			TAT	06-29-2004	ML	.X		±.1							
12	ADDED LIFT LUG		CN 34025	DRS	07-06-2001		.XX		±.03							
11	ADDED MOUNTING TYPE		CN 27451	DRS	02-17-2000		.XXX		±.005							
10	CORRECTED DASH 725 & 775		CN 21725-50	BLR	01-15-1996		.XXXX		±.0005							
NO.		REVISION		BY & DATE		CHK		ANG		±'30"		FINISH		PREV		
THIS DRAWING IN DESIGN AND DETAIL IS OUR PROPERTY AND MUST NOT BE USED EXCEPT IN CONNECTION WITH OUR WORK ALL RIGHTS OF DESIGN AND INVENTION ARE RESERVED THIS IS AN ELECTRONICALLY GENERATED DOCUMENT - DO NOT SCALE THIS PRINT						RFP		CAD FILE		ss65625		SIZE	DRAWING NO.	PAGE	OF	REV.
						DIST		LB				A	SS65625			14



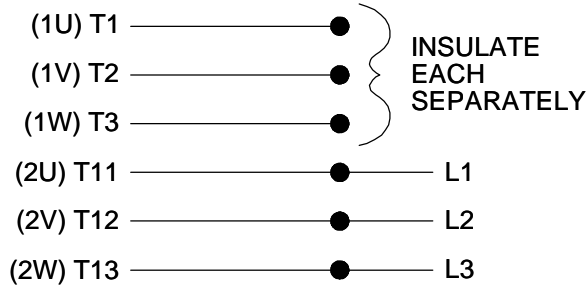
TITLE OUTLINE
180T FR. - BB - TS - DR. PR.

DRAWN ML 12-28-1987
CHK GK 12-28-1987
APPD FG 12-28-1987
SCALE 1=4
REF
FMF
PREV

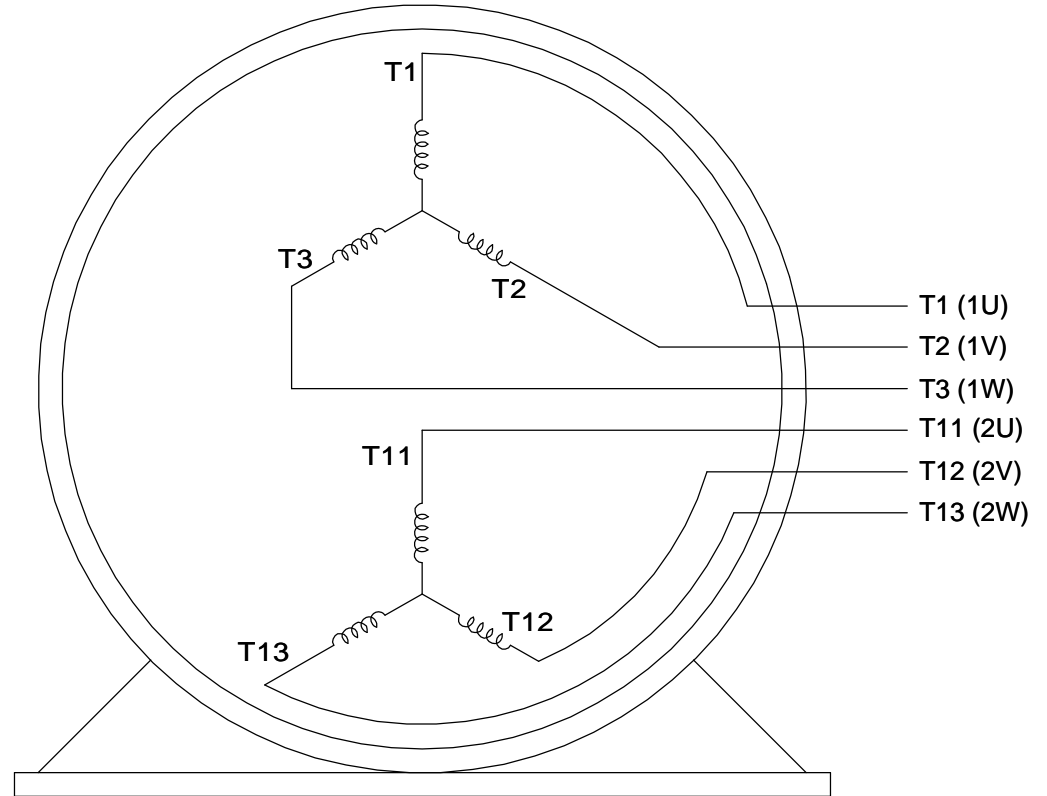
LOW SPEED



HIGHSPEED



**THREE PHASE, SINGLE VOLT, 6 LEAD
2 SPEED REVERSIBLE MOTOR**



VIEW OF TERMINAL END

TO REVERSE ROTATION ON
EITHER SPEED: INTERCHANGE
ANY 2 LEADS ON THE
WINDING IN USE.

DRAWING REVISION C	REVISION BY JJB	DATE 10-25-2017		DRAWN BY LZ	Regal Beloit America, Inc.
ECO ECO-0132917	APPROVED BY TLB	DATE 10-30-2017		DATE 01-05-1994	
ECO DESCRIPTION REVISED PER ECO & UPDATED TO STANDARDS				APPROVED BY GK	DESCRIPTION CONN DIAGRAM-INTERNAL
<small>COPYRIGHT REGAL BELOIT AMERICA, INC. ALL RIGHTS RESERVED. PROPRIETARY AND CONFIDENTIAL INFORMATION - THIS DOCUMENT IS THE PROPERTY OF REGAL BELOIT AMERICA, INC. ("OWNER") AND CONTAINS OWNER'S PROPRIETARY INFORMATION. ANY PERSON, CORPORATION OR OTHER FIRM RECEIVING IT IS DEEMED, BY RECEIVING IT, TO AGREE THAT IT, AND/OR ANY PART OF IT, SHALL NOT BE DISCLOSED TO ANY PERSON, CORPORATION OR OTHER ENTITY, DUPLICATED, AND/OR USED, EXCEPT AS EXPRESSLY APPROVED IN WRITING IN ADVANCE BY OWNER. THIS DOCUMENT SHALL BE RETURNED TO OWNER UPON REQUEST. IT MAY BE SUBJECT TO CERTAIN RESTRICTIONS UNDER APPLICABLE EXPORT CONTROL LAWS AND REGULATIONS.</small>				DATE 01-17-1994	3 PHASE - SINGLE - 2 SPEED REVERSIBLE
			REFERENCE	MATERIAL	PROCESS/FINISH
			THIRD ANGLE PROJECTION	SIZE A	DRAWING NUMBER EE7317