

PRODUCT INFORMATION PACKET

Model No: 056T17V5336
Catalog No: N567
1/2,1725,TENV,56C,3/60/208-230/460
Washdown Duty



Regal and Marathon are trademarks of Regal Beloit Corporation or one of its affiliated companies.
©2018 Regal Beloit Corporation, All Rights Reserved. MC017097E





Nameplate Specifications

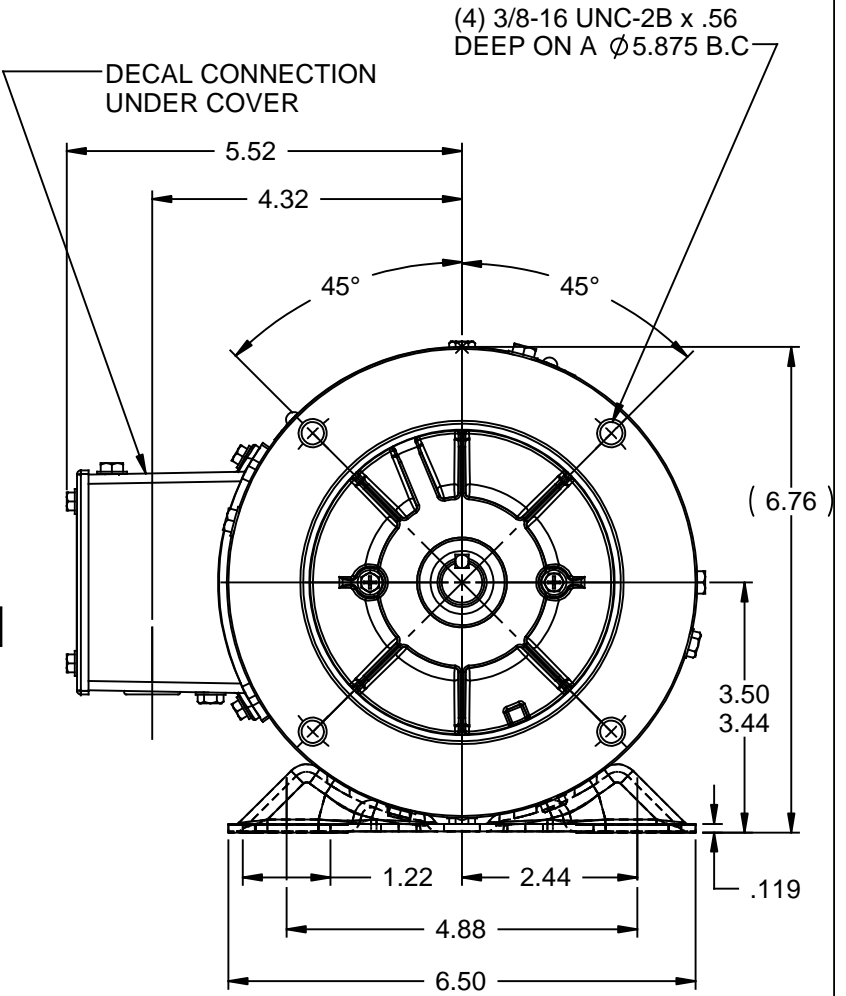
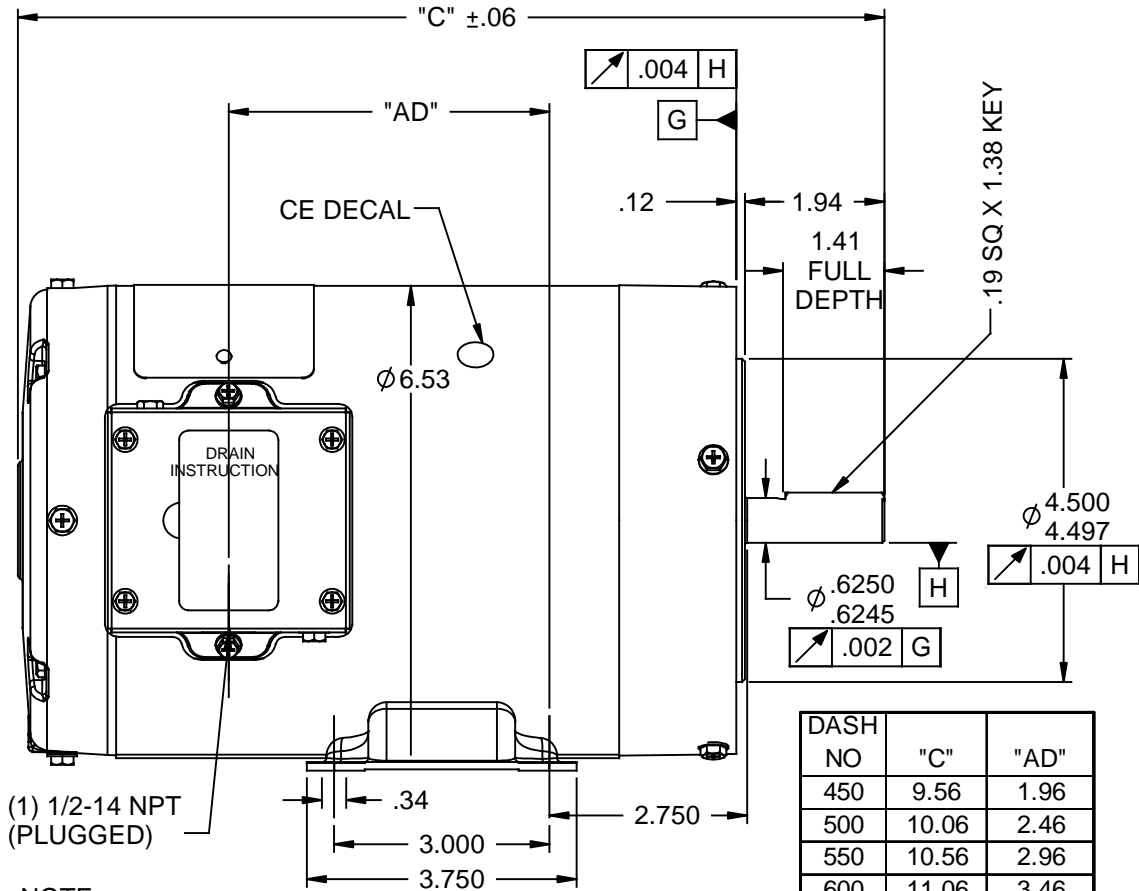
| | | | |
|----------------------------|----------------------|------------------------|----------------------|
| Output HP | 0.5 Hp | Output KW | 0.37 kW |
| Frequency | 60 Hz | Voltage | 208-230/460 V |
| Current | 2.0-1.8/0.9 A | Speed | 1725 rpm |
| Service Factor | 1.15 | Phase | 3 |
| Efficiency | 78.5 % | Duty | CONTINUOUS |
| Insulation Class | F | Design Code | B |
| KVA Code | L | Frame | 56C |
| Enclosure | TENV | Overload Protector | NOT |
| Ambient Temperature | 40 °C | Drive End Bearing Size | 6205 |
| Opp Drive End Bearing Size | 6203 | UL | Recognized |
| CSA | Y | CE | Y |
| IP Code | 55 | | |

Technical Specifications

| | | | |
|-----------------------|--------------------------|-----------------------|-------------------------|
| Electrical Type | SQ CAGE INV RATED | Starting Method | LINE OR INVERTER |
| Poles | 4 | Rotation | REV |
| Mounting | RIGID | Motor Orientation | HORIZONTAL |
| Drive End Bearing | BALL | Opp Drive End Bearing | BALL |
| Frame Material | ROLLED STEEL | Shaft Type | T |
| Overall Length | 10.08 in | Frame Length | 5 in |
| Shaft Diameter | 0.63 in | Shaft Extension | 1.94 in |
| Assembly/Box Mounting | F1 ONLY | | |
| Outline Drawing | 607-0022-500 | Connection Diagram | 005010.01ME |

This is an uncontrolled document once printed or downloaded and is subject to change without notice. Date Created: 04/05/2018

This document is the property of REGAL BELOIT CORPORATION ("RBC") including its subsidiaries and divisions and contains proprietary information of RBC. This document is loaned on the express condition that neither it nor the information contained therein shall be disclosed to others without the express written consent of RBC, and that the information shall be used by the recipient only as approved expressly by RBC. This document shall be returned to RBC upon its request. This document may be subject to certain restrictions under U.S. export control laws and regulations.



(1) 1/2-14 NPT (PLUGGED)

| DASH NO | "C" | "AD" |
|---------|-------|------|
| 450 | 9.56 | 1.96 |
| 500 | 10.06 | 2.46 |
| 550 | 10.56 | 2.96 |
| 600 | 11.06 | 3.46 |
| 650 | 11.56 | 3.96 |
| 700 | 12.06 | 4.46 |
| 750 | 12.56 | 4.96 |
| 800 | 13.06 | 5.46 |

- NOTE:
- 1) SHAFT SEALS & V-RINGS
 - 2) DRAIN HOLES IN BOTH ENDBELLS & CONDUIT BOX
 - 3) GASKETS THROUGHOUT
 - 4) STAINLESS STEEL SHAFT, HARDWARE & NAMEPLATE

| | | | | | | | |
|------------------------|----------|-----------------------------|--------|--|-----------------|---------------------|---------------------|
| | | TOLERANCES UNLESS SPECIFIED | | | | DRAWN JD 07/01/2011 | |
| | | DEC | INCHES | | | CHK | |
| | | .X | ±.1 | | | APPR | |
| | | .XX | ±.03 | | | SCALE 3:8 | |
| | | .XXX | ±.005 | | | REF 028834ME | |
| | | .XXXX | ±.0005 | TITLE OUTLINE - 56C FRAME TENV - "C" FACE | | FMF 56T17V15501 | |
| NO | REVISION | BY & DATE | CHK | ANG ±1/2° | MAT'L WASHGUARD | PAGE OF | |
| THIRD ANGLE PROJECTION | | RFP | | PREV | FINISH | SIZE A | DRAWING NO 607-0022 |
| | | | | NETWORK FILE NAME 607-0022 | | REV | |

VIEW FROM OUTSIDE OF MOTOR AT SWITCH END.



| VOLTAGE | L1 | L2 | L3 | JOIN & INSULATE |
|---------|-------|-------|-------|-------------------------------|
| HIGH | T1 | T2 | T3 | (T4,T7) (T5,T8) (T6,T9) |
| LOW | T1,T7 | T2,T8 | T3,T9 | T4,T5,T6 |

| NO. | REVISION | BY & DATE | CHK | TOLERANCES UNLESS SPECIFIED | | FINISH | MATERIAL | DRAWN | CHK | APPD | SCALE | REF | FIG. | PREV |
|-----|----------|-----------|-----|-----------------------------|----------|--------|----------------|------------|-----|------|-------|-------------|------|------|
| | | | | DEC. | INCHES | | | | | | | | | |
| | | | | .X | ±.1 | | | | | | 1=1 | | | |
| | | | | .XX | ±.01 | | TITLE | | | | | | | |
| | | | | .XXX | ±.005 | | | | | | | | | |
| | | | | .XXXX | ±.0005 | | | | | | | | | |
| | | | | ANG | ±1/2' | | DECAL - 004014 | | | | | | | |
| | | | | RFP | 04/12/02 | | CAD FILE | 00501001ME | | | SIZE | DRAWING NO. | | REV. |
| | | | | DIST | | | | | | A | | 005010-01ME | | |



EXTERNAL WIRING DIAGRAM
3 PHASE W/O PROTECTOR

THIS DRAWING IN DESIGN AND DETAIL IS OUR PROPERTY AND MUST NOT BE USED EXCEPT IN CONNECTION WITH OUR WORK ALL RIGHTS OF DESIGN AND INVENTION ARE RESERVED THIS IS AN ELECTRONICALLY GENERATED DOCUMENT - DO NOT SCALE THIS PRINT

CERTIFICATION DATA SHEET

Model#: 56T17V5336 B WINDING#: T634208 NR 3
 CONN. DIAGRAM: 005010.01ME ASSEMBLY: F1 ONLY
 OUTLINE: 607-0022-500

TYPICAL MOTOR PERFORMANCE DATA

| HP | KW | SYNC. RPM | F.L. RPM | FRAME | ENCLOSURE | KVA CODE | DESIGN |
|-----|-----|-----------|----------|-------|-----------|----------|--------|
| 1/2 | .37 | 1800 | 1725 | 56C | TENV | L | B |

| PH | Hz | VOLTS | FL AMPS | START TYPE | DUTY | INSL | S.F | AMB°C | ELEVATION |
|----|----|-------------|-----------|------------------|------------|------|------|-------|-----------|
| 3 | 60 | 208-230/460 | 2.0-1.8/9 | LINE OR INVERTER | CONTINUOUS | F4 | 1.15 | 40 | 3300 |

| FULL LOAD EFF: 78.5 | 3/4 LOAD EFF: 75.8 | 1/2 LOAD EFF: 70.9 | GTD. EFF | ELEC. TYPE | NO LOAD AMPS |
|---------------------|--------------------|--------------------|----------|-------------------|--------------|
| FULL LOAD PF: 67 | 3/4 LOAD PF: 55.9 | 1/2 LOAD PF: 44.1 | 0 | SQ CAGE INV RATED | 1.3 / .7 |

| F.L. TORQUE | LOCKED ROTOR AMPS | L.R. TORQUE | B.D. TORQUE | F.L. RISE°C |
|-------------|-------------------|----------------|----------------|-------------|
| 24 LB-FT | 12.2 / 6.1 | 72.1 LB-FT 300 | 97.8 LB-FT 408 | 70 |

| SOUND PRESSURE @ 3 FT. | SOUND POWER | ROTOR WK^2 | MAX. WK^2 | SAFE STALL TIME | STARTS /HOUR | APPROX. MOTOR WGT |
|------------------------|-------------|--------------|-------------|-----------------|--------------|-------------------|
| 0 dBA | 10 dBA | 0.06 LB-FT^2 | 0.1 LB-FT^2 | 0 SEC. | 0 | 0 LBS. |

***** SUPPLEMENTAL INFORMATION *****

| DE BRACKET TYPE | ODE BRACKET TYPE | MOUNT TYPE | ORIENTATION | SEVERE DUTY | HAZARDOUS LOCATION | DRIP COVER | SCREENS | PAINT |
|-----------------|------------------|------------|-------------|-------------|--------------------|------------|---------|------------------------|
| C-FACE | STANDARD | RIGID | HORIZONTAL | FALSE | NONE | FALSE | NONE | WHITE - LEESON (EPOXY) |

| BEARINGS | | GREASE | SHAFT TYPE | SPECIAL DE | SPECIAL ODE | SHAFT MATERIAL | FRAME MATERIAL |
|----------|------|------------|------------|------------|-------------|-----------------------|----------------|
| DE | OPE | POLYREX EM | T | NONE | NONE | 303 STAINLESS (C-501) | ROLLED STEEL |
| BALL | BALL | | | | | | |
| 6205 | 6203 | | | | | | |

| THERMO-PROTECTORS | | | | THERMISTORS | CONTROL | SPACE /n HEATERS |
|-------------------|------------|----------|----------|-------------|---------|------------------|
| THERMOSTATS | PROTECTORS | WDG RTDs | BRG RTDs | NONE | FALSE | NONE VOLTS |
| NONE | NOT | NONE | NONE | | | |

If Inverter equals NONE, contact factory for further information

| |
|----------------------------------|
| INVERTER TORQUE: CONSTANT 1000:1 |
| INV. HP SPEED RANGE: NONE |
| ENCODER: NONE |
| NONE NONE |
| NONE NONE PPR |
| BRAKE: NONE NONE |
| NONE P/N NONE |
| NONE NONE |
| NONE FT-LB NONE V NONE Hz |

*
N
O
T
E
S
*

DATE: 06/29/2017 01:40:28 AM
 FORM 3531 REV.3 02/07/99
 ** Subject to change without notice.