

# PRODUCT INFORMATION PACKET

Model No: 145THTN8043  
Catalog No: Y987  
2,1800,TENV,145TC,3/60/230/460  
Brake



Regal and Marathon are trademarks of Regal Beloit Corporation or one of its affiliated companies.  
©2018 Regal Beloit Corporation, All Rights Reserved. MC017097E





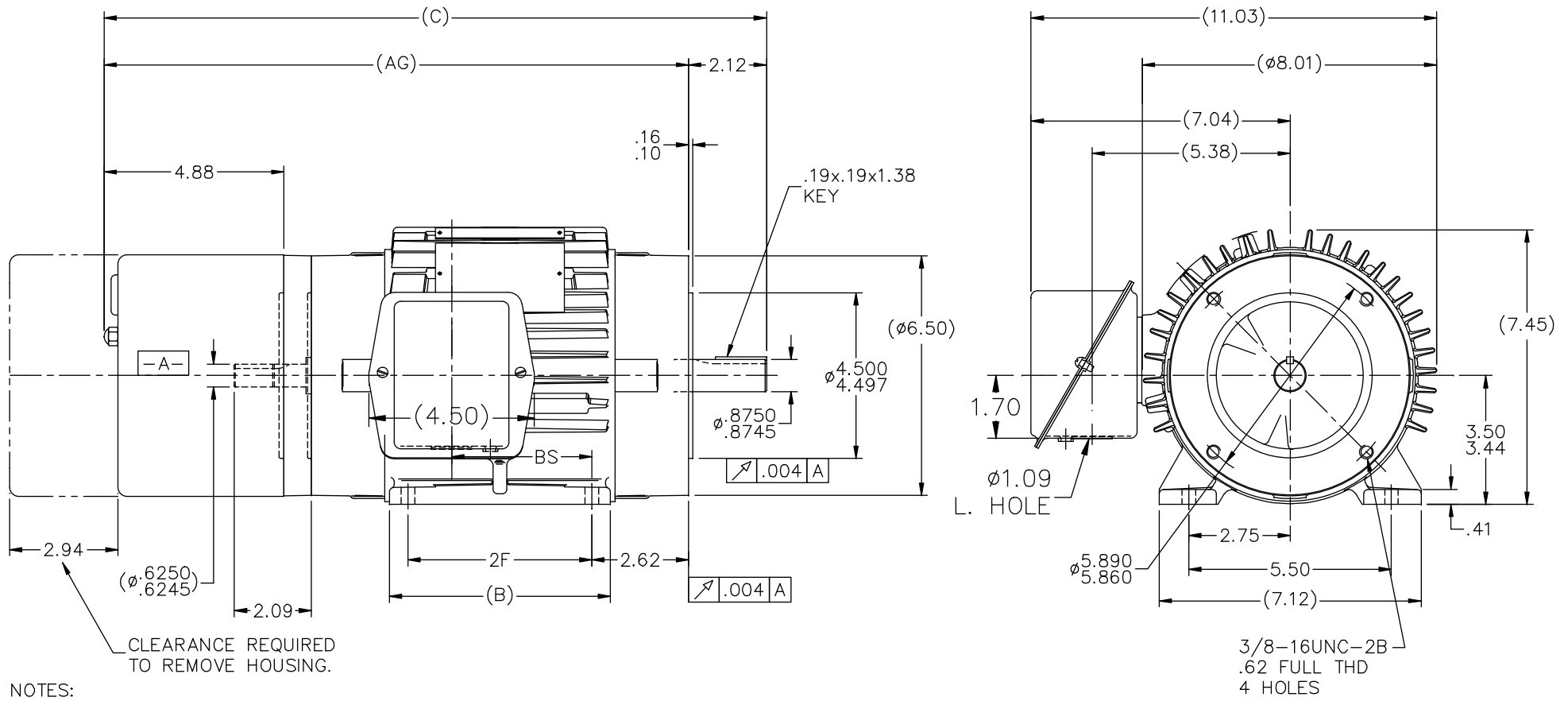
### Nameplate Specifications

Output HP	<b>2 Hp</b>	Output KW	<b>1.49 kW</b>
Frequency	<b>60 Hz</b>	Voltage	<b>230/460 V</b>
Current	<b>6/3 A</b>	Speed	<b>1750 rpm</b>
Service Factor	<b>1</b>	Phase	<b>3</b>
Efficiency	<b>85.5 %</b>	Duty	<b>CONTINUOUS</b>
Insulation Class	<b>F</b>	Design Code	<b>INV</b>
KVA Code	<b>M</b>	Frame	<b>145TC</b>
Enclosure	<b>TENV</b>	Overload Protector	<b>NOT</b>
Ambient Temperature	<b>40 °C</b>	Drive End Bearing Size	<b>6205</b>
Opp Drive End Bearing Size	<b>6205</b>	UL	<b>Recognized</b>
CSA	<b>Y</b>	CE	<b>Y</b>
IP Code	<b>43</b>		

### Technical Specifications

Electrical Type	<b>SQ CAGE INV DUTY</b>	Starting Method	<b>INVERTER ONLY</b>
Poles	<b>4</b>	Rotation	<b>REV</b>
Mounting	<b>RIGID</b>	Motor Orientation	<b>HORIZONTAL</b>
Drive End Bearing	<b>BALL</b>	Opp Drive End Bearing	<b>BALL</b>
Frame Material	<b>CAST IRON</b>	Shaft Type	<b>T</b>
Overall Length	<b>18 in</b>	Frame Length	<b>6.25 in</b>
Shaft Diameter	<b>0.88 in</b>	Shaft Extension	<b>2.12 in</b>
Assembly/Box Mounting	<b>F1/F2 CAPABLE</b>		
Outline Drawing	<b>A-104965-625</b>	Connection Diagram	<b>A-EE7308T</b>

This is an uncontrolled document once printed or downloaded and is subject to change without notice. Date Created: 04/05/2018



- NOTES:  
 1- BOX CAN BE ROTATED IN 90° STEPS.  
 2- BOX CAN BE MOUNTED ON OPPOSITE SIDE BY REMOVING BRACKETS AND TURNING FRAME 180°.  
 3- NAMEPLATE READ FROM CONDUIT BOX SIDE.

525	143T	17.00	14.88	5.00	4.00	2.81	
625	145T	18.00	15.88	6.00	5.00	3.81	
DASH	FRAME	C	AG	B	2F	BS	

5	CORRECTED COND BOX VIEW PER ECR-0044247	UD 12-10-13	AB	TOLERANCES UNLESS SPECIFIED		DRAWN DRS 05-24-2001
4	REDRAWN IN AUTOCAD	TAT 06-24-2005	DRS	DEC. INCHES		CHK ML 06-19-2001
3	REVISED TO SHOW ADAPTER B-92093A, AND REMOVED IF USED NOTE ON 31288	NJS 08-31-2001	.X	±.1	TITLE OUTLINE - C' FACE - TS - TENV 140T FR.-BRAKE & PROVISIONS FOR TACH.	APPD GK 06-19-2001
2	UPDATED SHAFT EXTENSION ON O.D.E AND ADDED ADAPTER NOTE	DRS 08-17-2001	.XX	±.03		SCALE 3=B
			.XXX	±.005	MAT'L.	REF
			.XXXX	±.0005	FINISH	FMF
NO.	REVISION	BY & DATE	CHK	ANG ±7'30"		PREV
THIS DRAWING IN DESIGN AND DETAIL IS OUR PROPERTY AND MUST NOT BE USED EXCEPT IN CONNECTION WITH OUR WORK ALL RIGHTS OF DESIGN AND INVENTION ARE RESERVED THIS IS AN ELECTRONICALLY GENERATED DOCUMENT - DO NOT SCALE THIS PRINT					RFP	CAD FILE 104965
					DIST WP	SIZE B
						DRAWING NO. 104965
						PAGE 5
						REV. 5

## HIGH VOLTAGE



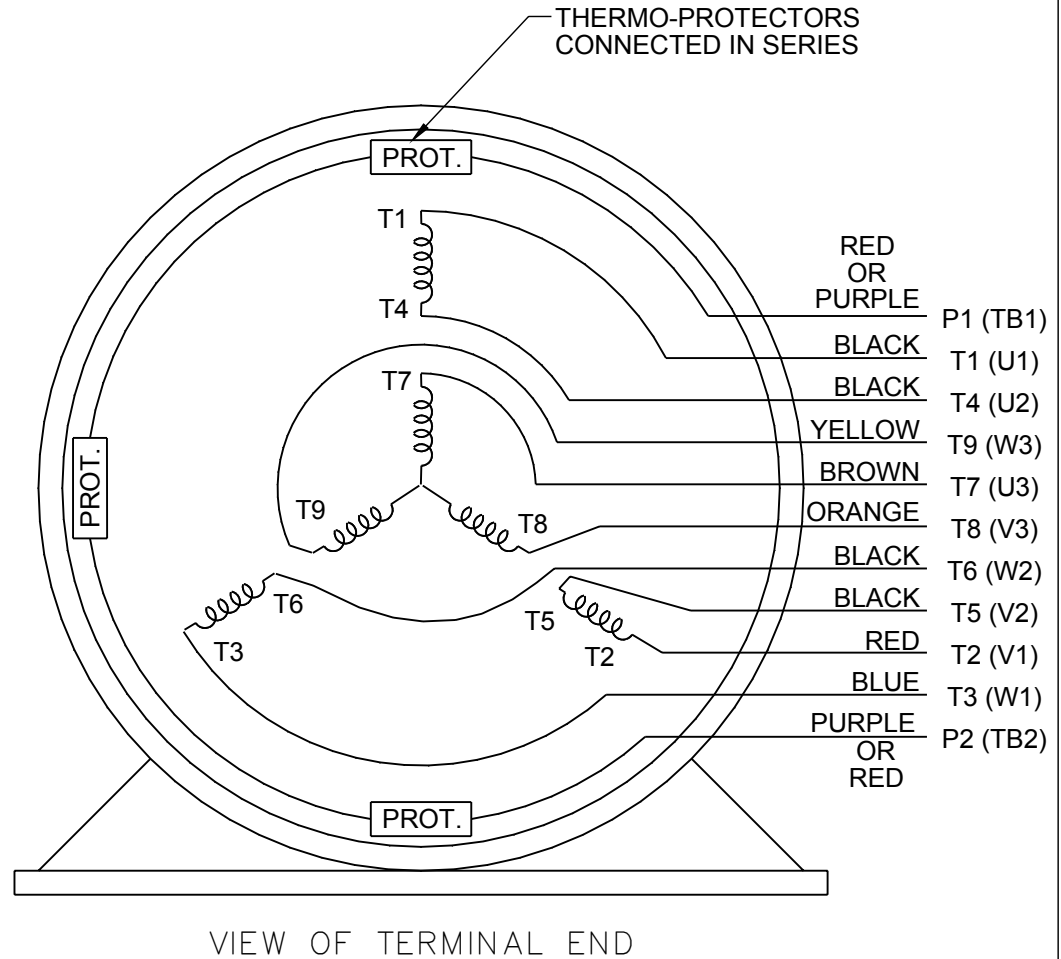
**NOTE FOR FACTORY USE ONLY:  
 TO SURGE TEST FOR COMMON CONNECT:  
 HIGH VOLT: CONNECT P1 TO T1  
 THEN P2 TO L1  
 LOW VOLT: CONNECT P1 TO T1 & T7,  
 THEN P2 TO L1**

## LOW VOLTAGE



**NOTE: LEAD'S COLOR CAN BE YELLOW OR WHITE FOR MT2 PLANT**

## THREE PHASE DUAL VOLTAGE MOTOR



DRAWING REVISION <b>R</b>	REVISION BY <b>AJW</b>	DATE <b>07-17-2015</b>		DRAWN BY <b>SMC</b>	Regal Beloit America, Inc.
ECO <b>ECO-0081632</b>	APPROVED BY <b>T. VUE</b>	DATE <b>07-17-2015</b>		DATE <b>05-13-1992</b>	
ECO DESCRIPTION <b>REV'D IEC NOTATIONS PER IEC 60034-8</b>				APPROVED BY <b>TB</b>	DESCRIPTION <b>CONN DIAGRAM-INTERNAL</b>
<small>COPYRIGHT REGAL BELOIT AMERICA, INC. ALL RIGHTS RESERVED.                  PROPRIETARY AND CONFIDENTIAL INFORMATION - THIS DOCUMENT IS THE PROPERTY OF                  REGAL BELOIT AMERICA, INC. ("OWNER") AND CONTAINS OWNER'S PROPRIETARY                  INFORMATION. ANY PERSON, CORPORATION OR OTHER FIRM RECEIVING IT IS DEEMED,                  BY RECEIVING IT, TO AGREE THAT IT, AND/OR ANY PART OF IT, SHALL NOT BE DISCLOSED                  TO ANY PERSON, CORPORATION OR OTHER ENTITY, DUPLICATED, AND/OR USED, EXCEPT                  AS EXPRESSLY APPROVED IN WRITING IN ADVANCE BY OWNER. THIS DOCUMENT SHALL                  BE RETURNED TO OWNER UPON REQUEST. IT MAY BE SUBJECT TO CERTAIN                  RESTRICTIONS UNDER APPLICABLE EXPORT CONTROL LAWS AND REGULATIONS.</small>				DATE <b>05-13-1992</b>	<b>3 PHASE - DUAL VOLTAGE MOTOR</b>
			REFERENCE <b>EE7308/EE7300</b>	MATERIAL	PROCESS/FINISH
			THIRD ANGLE PROJECTION	SIZE <b>A</b>	DRAWING NUMBER <b>EE7308T</b>



NONE	
STEARNS	P/N 91697-10A1KB
56,000	NEMA 2
10 FT-LB	208-230/460-190/380 V
60/50 Hz	

DATE: 06/23/2017 02:00:24 AM  
FORM 3531 REV.3 02/07/99  
\*\* Subject to change without notice.

Data Sheet

Date: 19-06-2017  
 Customer: \_\_\_\_\_  
 Attention: \_\_\_\_\_  
 Submitted by: FAREEDA DUDEKULA



145THTN8043

Submittal

Data @ 460 V

Motor Load Data

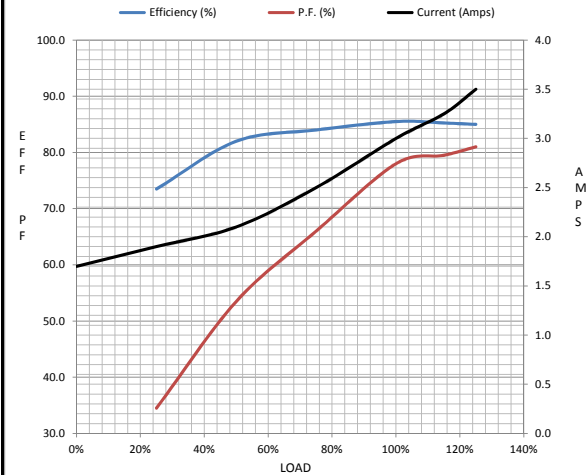
Load	0%	25%	50%	75%	100%	115%	125%	LR
Current (Amps)	1.70	1.90	2.10	2.50	3.0	3.3	3.5	25.0
Torque (ft-lb)	0.00	1.50	3.0	4.5	6.0	6.8	7.5	21.8
RPM	1800	1788	1776	1765	1750	1,746	1740	0
Efficiency (%)		73.5	82.0	84.0	85.5	85.3	85.0	
P.F. (%)	7.8	34.5	53.5	66.0	78.0	79.5	81.0	65.0

Motor Speed Data

	LR	Pull-Up	BD	Rated	Idle
Speed (RPM)	0	900	1500	1750	1800
Current (Amps)	25.0	22.5	18.5	3.0	1.70
Torque (ft-lb)	21.8	19.5	28.5	6.0	0.00

Information Block

HP	2.0			
Sync. RPM	1800			
Frame	145			
Enclosure	TENV			
Construction	TTN			
Voltage	230/460 V			
Frequency	60 Hz			
Design	B			
LR Code letter	M			
Service Factor	1.0			
Temp Rise @ FL	90 ° C			
Duty	CONT			
Ambient	40 ° C			
Elevation	1,000 feet			
Rotor/Shaft wk <sup>2</sup>	0.13 Lb-Ft <sup>2</sup>			
Ref Wdg	ZT490 F			
Sound Pressure @ 1M	62 dBA			
VFD Rating	CONSTANT 2000:1			
Outline Dwg	A-104965-625			
Conn. Diag	A-EE7308T			
Additional Specifications:				
0				
365THFS8036				
EQUIV CKT (OHMS / PHASE)				
R1	R2	X1	X2	Xm
3.8340	2.8970	5.9500	5.6370	154.7800



Speed -Torque Curve

