

PRODUCT INFORMATION PACKET

Model No: 213THTS8071
Catalog No: Y990
7 1/2,1800,TENV,213TC,3/60/230/460
Brake



Regal and Marathon are trademarks of Regal Beloit Corporation or one of its affiliated companies.
©2018 Regal Beloit Corporation, All Rights Reserved. MC017097E





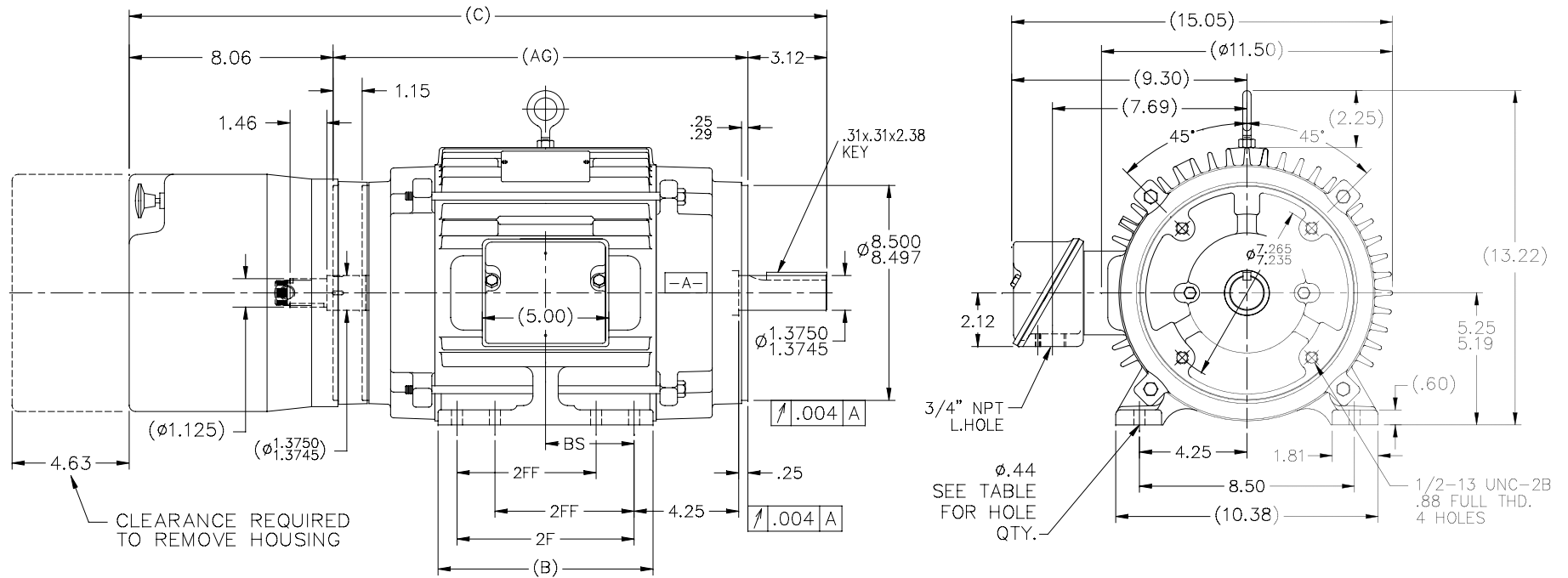
Nameplate Specifications

Output HP	7.5 Hp	Output KW	5.6 kW
Frequency	60 Hz	Voltage	230/460 V
Current	21/10.5 A	Speed	1775 rpm
Service Factor	1	Phase	3
Efficiency	90.2 %	Duty	CONTINUOUS
Insulation Class	F	Design Code	INV
KVA Code	L	Frame	213TC
Enclosure	TENV	Overload Protector	NOT
Ambient Temperature	40 °C	Drive End Bearing Size	6309
Opp Drive End Bearing Size	6307	UL	Recognized
CSA	Y	CE	Y
IP Code	43		

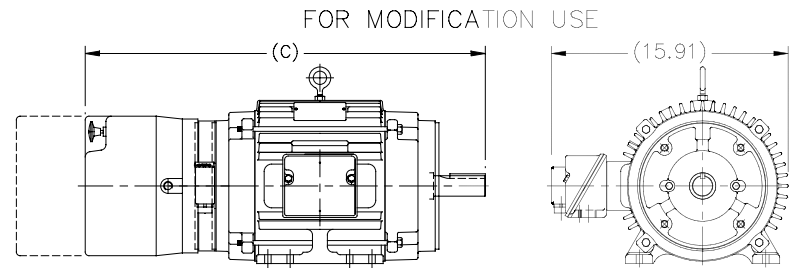
Technical Specifications

Electrical Type	SQ CAGE INV DUTY	Starting Method	INVERTER ONLY
Poles	4	Rotation	REV
Mounting	RIGID	Motor Orientation	HORIZONTAL
Drive End Bearing	BALL	Opp Drive End Bearing	BALL
Frame Material	CAST IRON	Shaft Type	T
Overall Length	27.58 in	Frame Length	8.75 in
Shaft Diameter	1.38 in	Shaft Extension	3.12/1.46 in
Assembly/Box Mounting	F1/F2 CAPABLE		
Outline Drawing	B-SS88470-875	Connection Diagram	A-EE7308T

This is an uncontrolled document once printed or downloaded and is subject to change without notice. Date Created: 04/05/2018



- NOTES:
1. CONDUIT BOX CAN BE ROTATED IN 90° STEPS.
 2. CONDUIT BOX CAN BE MOUNTED ON OPPOSITE SIDE BY REMOVING BRACKETS AND TURNING FRAME 180°
 3. NAMEPLATE TO BE READ FROM CONDUIT BOX SIDE OF MOTOR



FOR MODIFICATION USE

BRAKE & TACH. INSTALLED AT F1

9	NOTES UPDATED PER ECR# 0082550	SAJ 04/13/2015	GR	TOLERANCES UNLESS SPECIFIED		DRAWN DAH 06-18-2001
8	UPDATED DRAWING	TJW 05/04/2007	DEC.	INCHES		CHK DRS 07-02-2001
7	REVISED DASH 1000-FOOTHOLE CN29100-4873	RJW 10-24-2005	ML .X	±.1	APPD CAV 07-02-2001	
6	REVISED DASH TABLE & FOOT HOLE QTY. CN33822	RJW 05-12-2005	ML .XX	±.03	TITLE OUTLINE - TENV - LAKESHORE TACH.	SCALE 1=4
5	ADDED NOTE NUMBER 4 CN32977	RJW 02-08-2005	ML .XXX	±.005	210TC FR. - STEARNS 87,000 BRAKE	REF
4	ADD NOTE TO DETAIL & SEPARATE CN33633	RWR 10-07-2004	ML .XXXX	±.0005	MAT'L.	FMF
NO.	REVISION	BY & DATE	CHK ANG	±7°30"	FINISH	PREV
THIS DRAWING IN DESIGN AND DETAIL IS OUR PROPERTY AND MUST NOT BE USED EXCEPT IN CONNECTION WITH OUR WORK ALL RIGHTS OF DESIGN AND INVENTION ARE RESERVED THIS IS AN ELECTRONICALLY GENERATED DOCUMENT - DO NOT SCALE THIS PRINT			RFP	CAD FILE ss88470	SIZE B	DRAWING NO. SS88470
			DIST LB		PAGE 1 OF 1	REV. 9

HIGH VOLTAGE



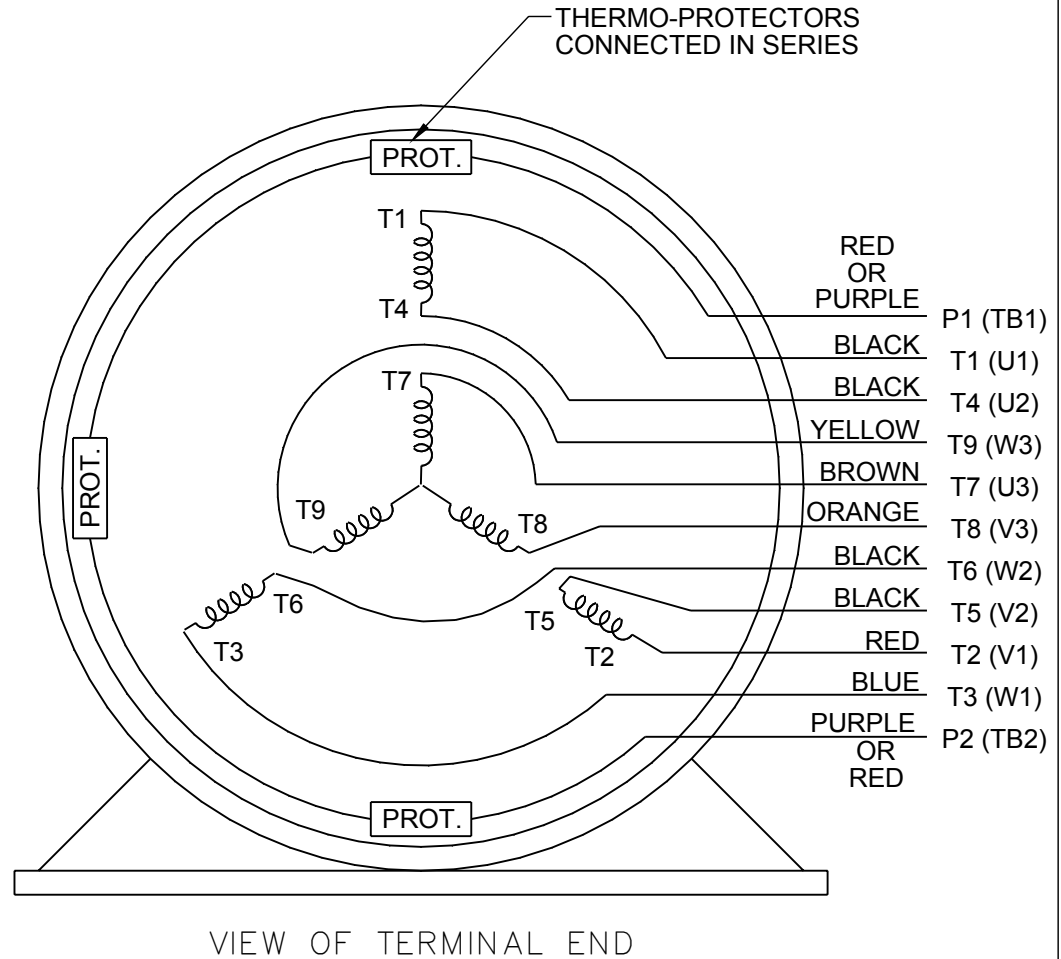
**NOTE FOR FACTORY USE ONLY:
 TO SURGE TEST FOR COMMON CONNECT:
 HIGH VOLT: CONNECT P1 TO T1
 THEN P2 TO L1
 LOW VOLT: CONNECT P1 TO T1 & T7,
 THEN P2 TO L1**

LOW VOLTAGE



NOTE: LEAD'S COLOR CAN BE YELLOW OR WHITE FOR MT2 PLANT

THREE PHASE DUAL VOLTAGE MOTOR



DRAWING REVISION R	REVISION BY AJW	DATE 07-17-2015		DRAWN BY SMC	Regal Beloit America, Inc.
ECO ECO-0081632	APPROVED BY T. VUE	DATE 07-17-2015		DATE 05-13-1992	
ECO DESCRIPTION REV'D IEC NOTATIONS PER IEC 60034-8				APPROVED BY TB	DESCRIPTION CONN DIAGRAM-INTERNAL
<small>COPYRIGHT REGAL BELOIT AMERICA, INC. ALL RIGHTS RESERVED. PROPRIETARY AND CONFIDENTIAL INFORMATION - THIS DOCUMENT IS THE PROPERTY OF REGAL BELOIT AMERICA, INC. ("OWNER") AND CONTAINS OWNER'S PROPRIETARY INFORMATION. ANY PERSON, CORPORATION OR OTHER FIRM RECEIVING IT IS DEEMED, BY RECEIVING IT, TO AGREE THAT IT, AND/OR ANY PART OF IT, SHALL NOT BE DISCLOSED TO ANY PERSON, CORPORATION OR OTHER ENTITY, DUPLICATED, AND/OR USED, EXCEPT AS EXPRESSLY APPROVED IN WRITING IN ADVANCE BY OWNER. THIS DOCUMENT SHALL BE RETURNED TO OWNER UPON REQUEST. IT MAY BE SUBJECT TO CERTAIN RESTRICTIONS UNDER APPLICABLE EXPORT CONTROL LAWS AND REGULATIONS.</small>				DATE 05-13-1992	3 PHASE - DUAL VOLTAGE MOTOR
			REFERENCE EE7308/EE7300	MATERIAL	PROCESS/FINISH
			THIRD ANGLE PROJECTION	SIZE A	DRAWING NUMBER EE7308T

CERTIFICATION DATA SHEET

Model#: 213THTS8071 AP **WINDING#:** K2134188 NONE 1
CONN. DIAGRAM: A-EE7308T **ASSEMBLY:** F1/F2 CAPABLE
OUTLINE: B-SS88470-875

TYPICAL MOTOR PERFORMANCE DATA

HP	KW	SYNC. RPM	F.L. RPM	FRAME	ENCLOSURE	KVA CODE	DESIGN
7 1/2	5.60	1800	1775	213TC	TENV	L	INV

PH	Hz	VOLTS	FL AMPS	START TYPE	DUTY	INSL	S.F	AMB°C	ELEVATION
3	60	230/460	21/10.5	INVERTER ONLY	CONTINUOUS	F3	1.0	40	3300

FULL LOAD EFF: 90.2	3/4 LOAD EFF: 90.2	1/2 LOAD EFF: 88.5	GTD. EFF	ELEC. TYPE	NO LOAD AMPS
FULL LOAD PF: 75	3/4 LOAD PF: 68	1/2 LOAD PF: 55.5	88.5	SQ CAGE INV DUTY	11.6 / 5.8

F.L. TORQUE	LOCKED ROTOR AMPS	L.R. TORQUE	B.D. TORQUE	F.L. RISE°C
22.2 LB-FT	182 / 91	80 LB-FT 360	94 LB-FT 423	85

SOUND PRESSURE @ 3 FT.	SOUND POWER	ROTOR WK^2	MAX. WK^2	SAFE STALL TIME	STARTS /HOUR	APPROX. MOTOR WGT
62 dBA	72 dBA	1.05 LB-FT^2	0 LB-FT^2	0 SEC.	0	180 LBS.

EQUIVALENT WYE CKT.PARAMETERS (OHMS PER PHASE)

R1	R2	X1	X2	XM
0.57456	0.46116	1.94292	2.9862	43.848

RM	ZREF	XR	TD	TD0
1814.4	37.8	4.1	0.0145	0.27

***** SUPPLEMENTAL INFORMATION *****

DE BRACKET TYPE	ODE BRACKET TYPE	MOUNT TYPE	ORIENTATION	SEVERE DUTY	HAZARDOUS LOCATION	DRIP COVER	SCREENS	PAINT
C-FACE	BRAKE AND ENCODER	RIGID	HORIZONTAL	FALSE	NONE	FALSE	NONE	BLUE (ENAMEL)

BEARINGS		GREASE	SHAFT TYPE	SPECIAL DE	SPECIAL ODE	SHAFT MATERIAL	FRAME MATERIAL
DE	OPE						
BALL	BALL	POLYREX EM	T	NONE	NONE	1045 HOT ROLLED (C-204)	CAST IRON
6309	6307						

THERMO-PROTECTORS				THERMISTORS	CONTROL	SPACE /n HEATERS
THERMOSTATS	PROTECTORS	WDG RTDs	BRG RTDs			
TSTATS (N/C)	NOT	NONE	NONE	NONE	FALSE	NONE VOLTS

If Inverter equals NONE, contact factory for further information

INVERTER TORQUE: CONSTANT 2000:1
INV. HP SPEED RANGE: 2.0 X BASE SPEED
ENCODER: PROVISIONS ONLY
NORTHSTAR SL85
NONE NONE PPR
BRAKE: REGAL SUPPLIED AND MOUNT
NONE

*
N
O
T
E
S
*

STEARNS	P/N 66378-34
87.000	NEMA 2
35 FT-LB	208-230/460-190/380 V
60/50 Hz	

DATE: 06/20/2017 08:56:04 AM
FORM 3531 REV.3 02/07/99
** Subject to change without notice.

MARATHON ELECTRIC CORPORATION

TYPICAL PERFORMANCE CURVE for AC MOTOR

Customer CATALOG

Curve at

460

Volts

HP 7.50

PHASE 3

Model No 213THTS8071

60

HZ

VOLTS 230/460

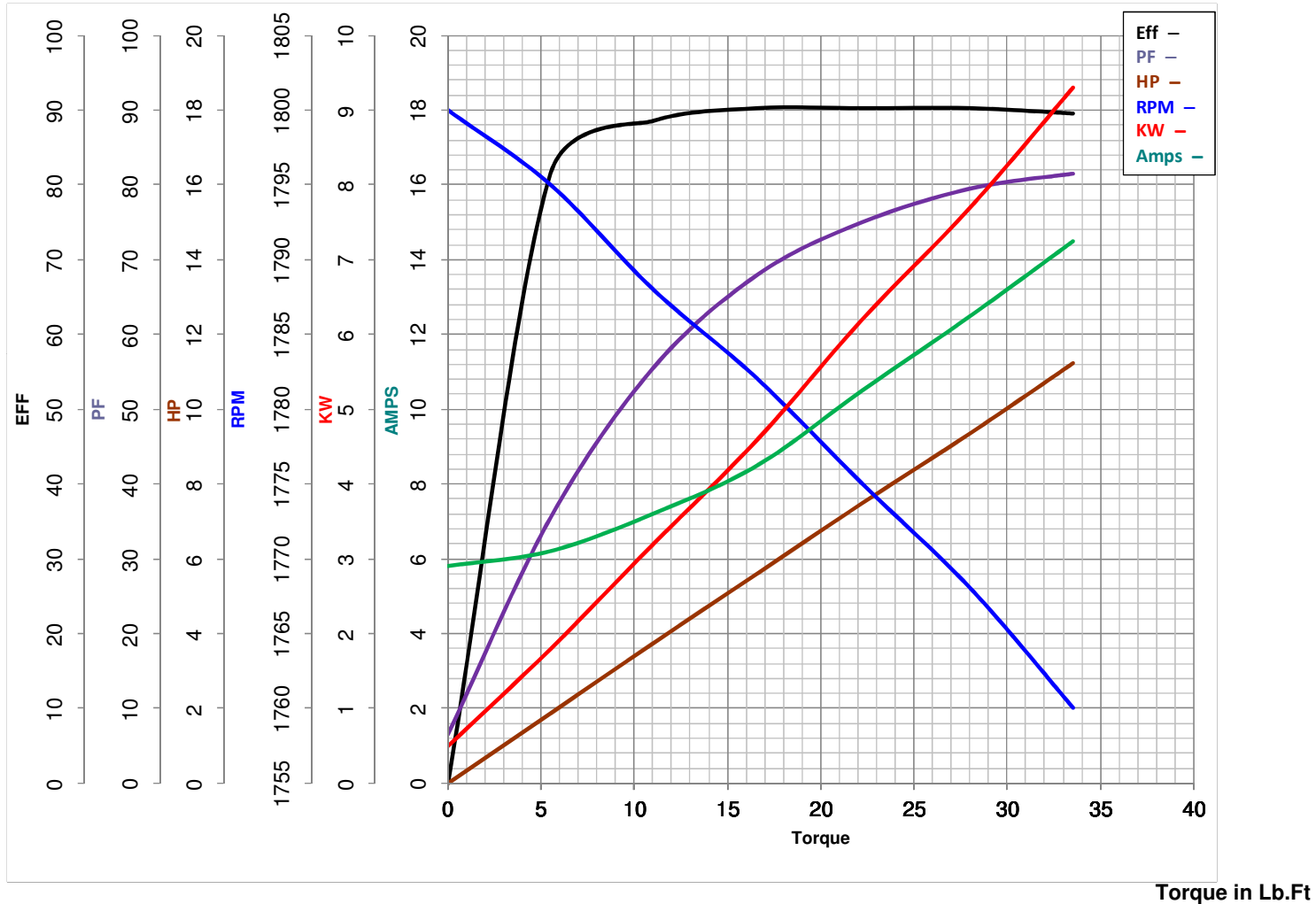
7.5

HP

Catalog No Y990

HZ 60

RPM 1775



FL TORQUE	<u>22.2</u>	Lb.Ft	FL AMPS	<u>21/10.5</u>
BD TORQUE	<u>94.0</u>	Lb.Ft	PU TORQUE	<u>75.0</u>
LR TORQUE	<u>80</u>	Lb.Ft	LR AMPS	<u>91</u>
WINDING	K2134188-1	Prepared By	SRIKANTH	Date
				<u>6/21/2017</u>