

PRODUCT INFORMATION PACKET

Model No: 145TTDR5702
Catalog No: Y466
1 1/2, 1800/900, DP, 145T, 3/60/460
Other Purpose



Regal and Marathon are trademarks of Regal Beloit Corporation or one of its affiliated companies.
©2018 Regal Beloit Corporation, All Rights Reserved. MC017097E





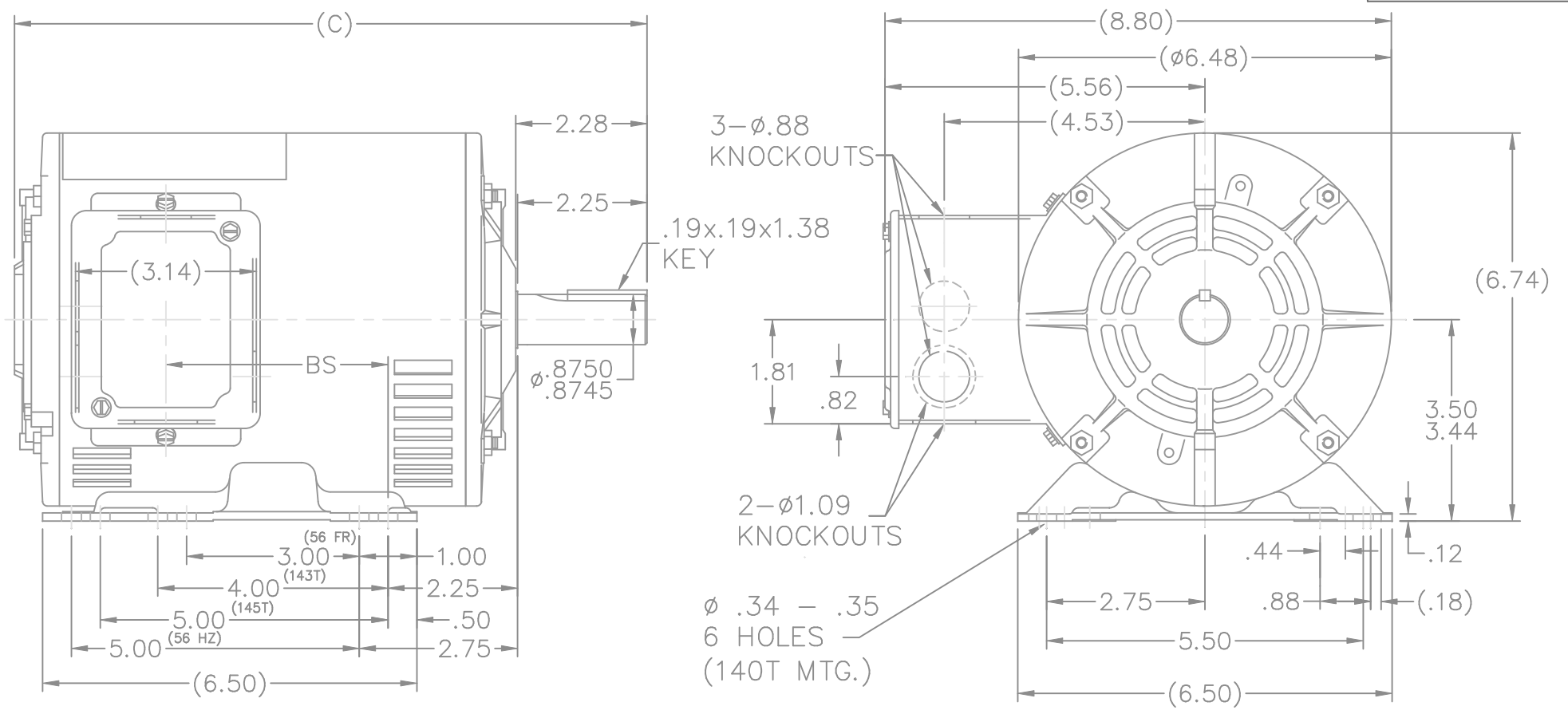
Nameplate Specifications

Output HP	1.5,0.38 Hp	Output KW	1.12 kW
Frequency	60 Hz	Voltage	460 V
Current	2.2,1.1 A	Speed	1740,855 rpm
Service Factor	1.15	Phase	3
Efficiency	78.5 %	Duty	CONTINUOUS
Insulation Class	B	Design Code	2VT
KVA Code	H	Frame	145T
Enclosure	DP	Overload Protector	NOT
Ambient Temperature	40 °C	Drive End Bearing Size	6205
Opp Drive End Bearing Size	6203	UL	Recognized
CSA	Y	CE	Y
IP Code	22		

Technical Specifications

Electrical Type	SQ CAGE IND RUN	Starting Method	ACROSS THE LINE
Poles	4//8	Rotation	REV
Mounting	RIGID	Motor Orientation	HORIZONTAL
Drive End Bearing	BALL	Opp Drive End Bearing	BALL
Frame Material	ROLLED STEEL	Shaft Type	T
Overall Length	13.49 in	Frame Length	9.56 in
Shaft Diameter	0.88 in	Shaft Extension	2.28 in
Assembly/Box Mounting	F1 ONLY		
Outline Drawing	A-100085-956	Connection Diagram	A-EE7317

This is an uncontrolled document once printed or downloaded and is subject to change without notice. Date Created: 04/05/2018

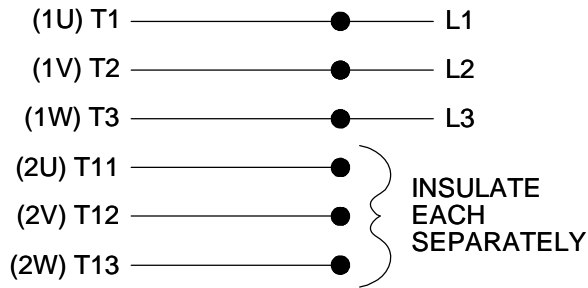


DASH	FR.	C	BS/140T	DASH	FR.	C	BS/140T
				806	140T/56HZ	11.99	4.86
				856	"	12.49	5.36
706	140T/56HZ	10.99	3.86	906	"	12.99	5.86
756	"	11.49	4.36	956	"	13.49	6.36

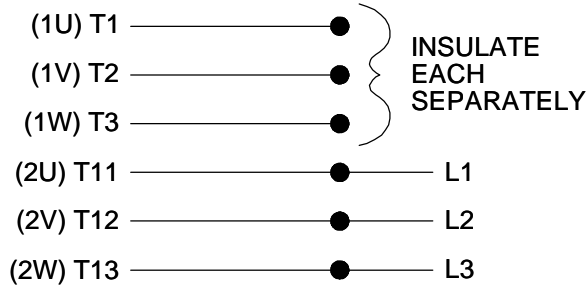
- NOTES:
1. CONDUIT BOX CAN BE ROTATED 180°.
 2. NAMPLATE READ FROM CONDUIT BOX SIDE.

				TOLERANCES UNLESS SPECIFIED		MARATHON ELECTRIC	DRAWN GK 02-04-1988			
				DEC.	INCHES		CHK ML 02-04-1988	APPD FG 02-04-1988	SCALE 3=8	REF
				.X	±.1	TITLE OUTLINE 140T & 56HZ - DR.PR.	REF			
				.XX	±.03		REF			
2	REDRAWN IN AUTOCAD	TAT 06-29-2004	ML	.XXX	±.005	MAT'L.	REF			
1	NEW DRAWING	GK 02-02-1988		.XXXX	±.0005		FINISH	REF		
NO.	REVISION	BY & DATE	CHK	ANG	±'30"					
THIS DRAWING IN DESIGN AND DETAIL IS OUR PROPERTY AND MUST NOT BE USED EXCEPT IN CONNECTION WITH OUR WORK ALL RIGHTS OF DESIGN AND INVENTION ARE RESERVED THIS IS AN ELECTRONICALLY GENERATED DOCUMENT - DO NOT SCALE THIS PRINT				RFP		CAD FILE 100085	SIZE A	DRAWING NO. 100085	PAGE OF	REV. 2
				DIST WP						

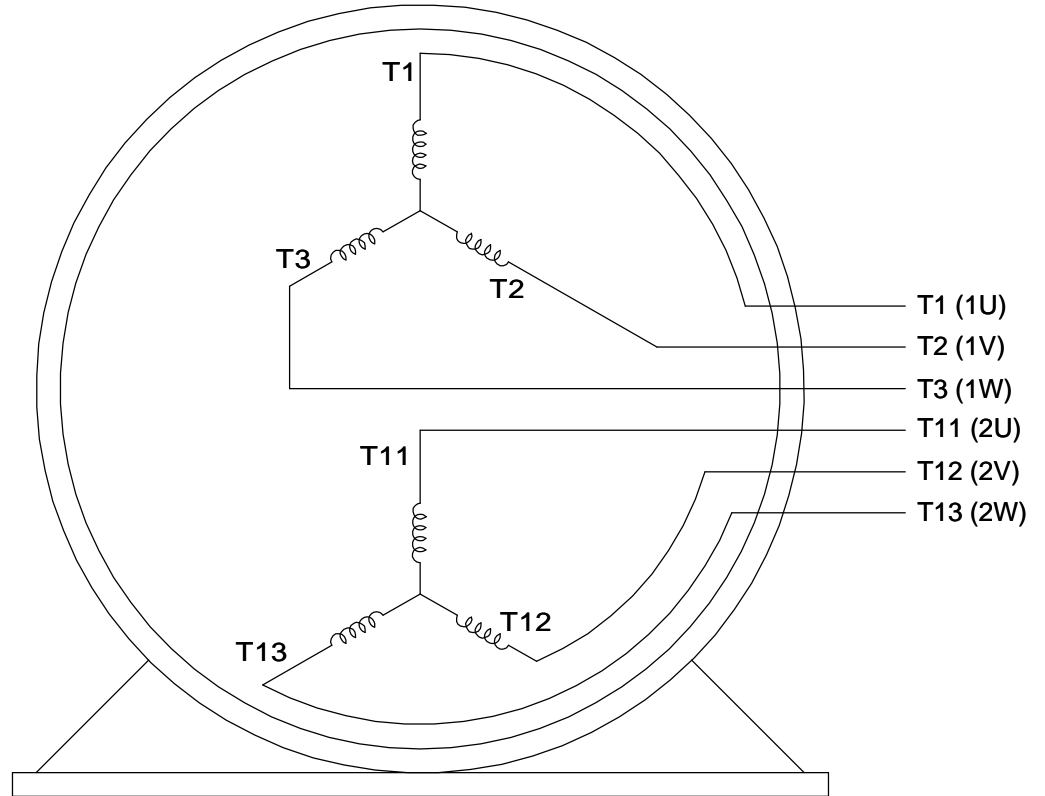
LOW SPEED



HIGHSPEED



**THREE PHASE, SINGLE VOLT, 6 LEAD
2 SPEED REVERSIBLE MOTOR**



VIEW OF TERMINAL END

TO REVERSE ROTATION ON
EITHER SPEED: INTERCHANGE
ANY 2 LEADS ON THE
WINDING IN USE.

DRAWING REVISION C	REVISION BY JJB	DATE 10-25-2017		DRAWN BY LZ	Regal Beloit America, Inc.
ECO ECO-0132917	APPROVED BY TLB	DATE 10-30-2017		DATE 01-05-1994	
ECO DESCRIPTION REVISED PER ECO & UPDATED TO STANDARDS				APPROVED BY GK	DESCRIPTION CONN DIAGRAM-INTERNAL
<small>COPYRIGHT REGAL BELOIT AMERICA, INC. ALL RIGHTS RESERVED. PROPRIETARY AND CONFIDENTIAL INFORMATION - THIS DOCUMENT IS THE PROPERTY OF REGAL BELOIT AMERICA, INC. ("OWNER") AND CONTAINS OWNER'S PROPRIETARY INFORMATION. ANY PERSON, CORPORATION OR OTHER FIRM RECEIVING IT IS DEEMED, BY RECEIVING IT, TO AGREE THAT IT, AND/OR ANY PART OF IT, SHALL NOT BE DISCLOSED TO ANY PERSON, CORPORATION OR OTHER ENTITY, DUPLICATED, AND/OR USED, EXCEPT AS EXPRESSLY APPROVED IN WRITING IN ADVANCE BY OWNER. THIS DOCUMENT SHALL BE RETURNED TO OWNER UPON REQUEST. IT MAY BE SUBJECT TO CERTAIN RESTRICTIONS UNDER APPLICABLE EXPORT CONTROL LAWS AND REGULATIONS.</small>				DATE 01-17-1994	3 PHASE - SINGLE - 2 SPEED REVERSIBLE
			REFERENCE	MATERIAL	PROCESS/FINISH
			THIRD ANGLE PROJECTION	SIZE A	DRAWING NUMBER EE7317

CERTIFICATION DATA SHEET

Model#: 145TTDR5702 AD **WINDING#:** ZT(4-8)4 NONE 3
CONN. DIAGRAM: A-EE7317 **ASSEMBLY:** F1 ONLY
OUTLINE: A-100085-956

TYPICAL MOTOR PERFORMANCE DATA

HP	KW	SYNC. RPM	F.L. RPM	FRAME	ENCLOSURE	KVA CODE	DESIGN
1 1/2&3/8	1.12&0.28	900	1740&855	145T	DP	H	2VT

PH	Hz	VOLTS	FL AMPS	START TYPE	DUTY	INSL	S.F	AMB°C	ELEVATION
3	60/60	460	2.2&1.1	ACROSS THE LINE	CONTINUOUS	B3	1.15/1.15	40	3300

FULL LOAD EFF:	3/4 LOAD EFF: 54	1/2 LOAD EFF: 48.5	GTD. EFF	ELEC. TYPE	NO LOAD AMPS
78.5&58.5					
FULL LOAD PF:	3/4 LOAD PF: 50	1/2 LOAD PF: 41.5	50.2	SQ CAGE IND RUN	.8
80.5&58					

F.L. TORQUE	LOCKED ROTOR AMPS	L.R. TORQUE	B.D. TORQUE	F.L. RISE°C
2.3 LB-FT	3	3.2 LB-FT 139	4.5 LB-FT 196	50

SOUND PRESSURE @ 3 FT.	SOUND POWER	ROTOR WK^2	MAX. WK^2	SAFE STALL TIME	STARTS /HOUR	APPROX. MOTOR WGT
60 dBA	70 dBA	0.14 LB-FT^2	- LB-FT^2	- SEC.	-	- LBS.

*** SUPPLEMENTAL INFORMATION ***

DE BRACKET TYPE	ODE BRACKET TYPE	MOUNT TYPE	ORIENTATION	SEVERE DUTY	HAZARDOUS LOCATION	DRIP COVER	SCREENS	PAINT
STANDARD	STANDARD	RIGID	HORIZONTAL	FALSE	NONE	FALSE	NONE	BLUE (POWDER)

BEARINGS		GREASE	SHAFT TYPE	SPECIAL DE	SPECIAL ODE	SHAFT MATERIAL	FRAME MATERIAL
DE	OPE						
BALL	BALL	POLYREX EM	T	NONE	NONE	1144 STRESSPROOF (C-223)	ROLLED STEEL
6205	6203						

THERMO-PROTECTORS				THERMISTORS	CONTROL	SPACE /n HEATERS
THERMOSTATS	PROTECTORS	WDG RTDs	BRG RTDs			
NONE	NOT	NONE	NONE	NONE	FALSE	NONE VOLTS

If Inverter equals NONE, contact factory for further information

*
N
O
T
E
S
*

INVERTER TORQUE: NONE
INV. HP SPEED RANGE: NONE
ENCODER: NONE
NONE NONE
NONE NONE PPR
BRAKE: NONE NONE
NONE P/N NONE
NONE NONE
NONE FT-LB NONE V NONE Hz

