

PRODUCT INFORMATION PACKET

Model No: 254TTDX7208
Catalog No: Y418
7 1/2/3 1/3,1755/1175,DP,254T,3/60/60/460#460
Other Purpose



Regal and Marathon are trademarks of Regal Beloit Corporation or one of its affiliated companies.
©2018 Regal Beloit Corporation, All Rights Reserved. MC017097E



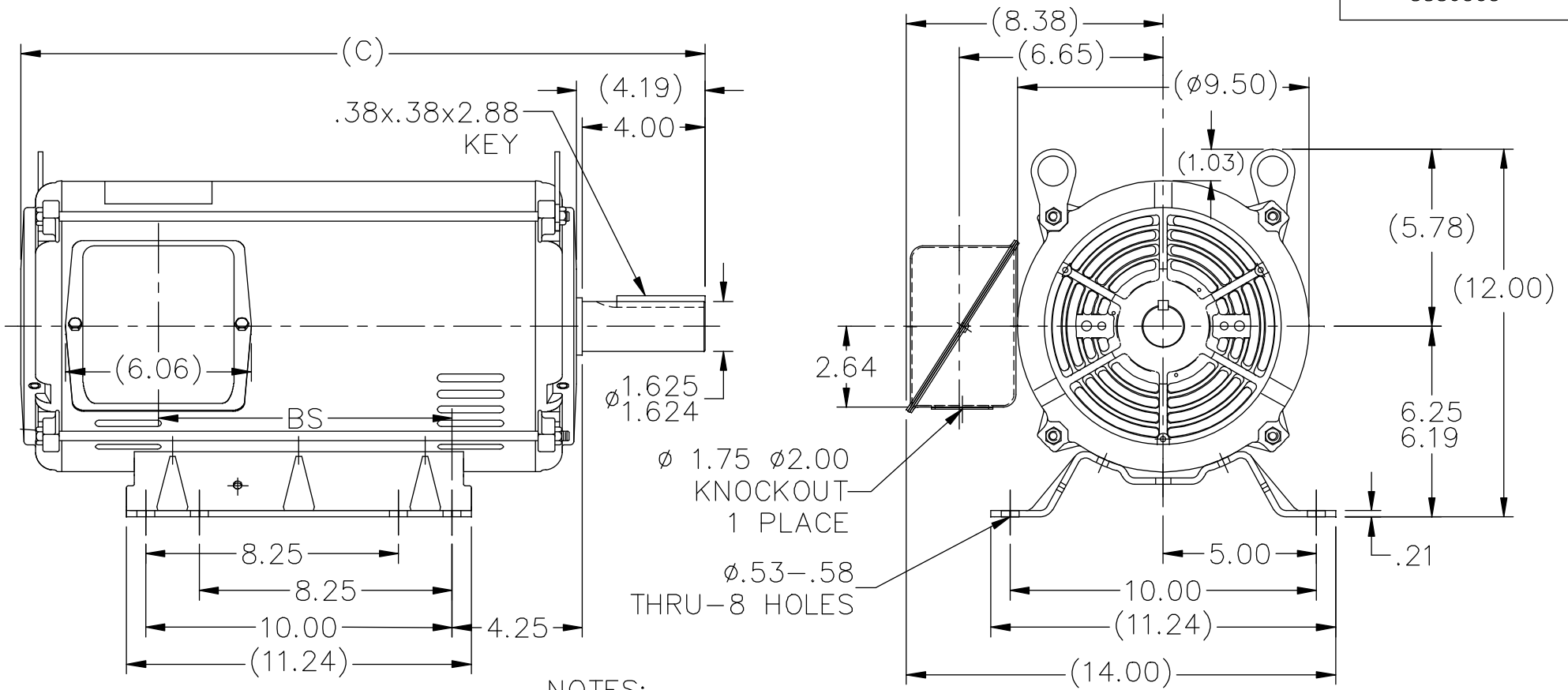
Nameplate Specifications

Output HP	7.5,3.33 Hp	Output KW	5.6 kW
Frequency	60 Hz	Voltage	460 V
Current	10,5.6 A	Speed	1755,1175 rpm
Service Factor	1.15	Phase	3
Efficiency	84 %	Duty	CONTINUOUS
Insulation Class	B	Design Code	2VT
KVA Code	H	Frame	254T
Enclosure	DP	Overload Protector	NOT
Ambient Temperature	40 °C	Drive End Bearing Size	6309
Opp Drive End Bearing Size	6208	UL	Recognized
CSA	Y	CE	Y
IP Code	12		

Technical Specifications

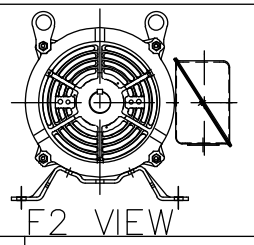
Electrical Type	SQ CAGE IND RUN	Starting Method	ACROSS THE LINE
Poles	4//6	Rotation	REV
Mounting	RIGID	Motor Orientation	HORIZONTAL
Drive End Bearing	BALL	Opp Drive End Bearing	BALL
Frame Material	ROLLED STEEL	Shaft Type	T
Overall Length	20.57 in	Shaft Diameter	1.63 in
Shaft Extension	4.19 in	Assembly/Box Mounting	F1/F2 CAPABLE
Outline Drawing	A-SS86503-1370	Connection Diagram	A-EE7317

This is an uncontrolled document once printed or downloaded and is subject to change without notice. Date Created: 04/05/2018



NOTES:

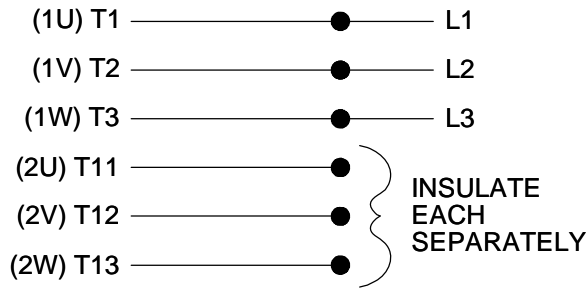
1. NAMEPLATE TO BE READ FROM C'BOX SIDE OF MOTOR.
2. BOX CAN BE MOUNTED IN 90° STEPS.
3. BOX CAN BE MOUNTED ON OPPOSITE SIDE BY REMOVING BRACKETS AND TURNING FRAME 180°. (EXCEPT AS NOTED.)
4. F2 MOUNT -USES 2ND HOLE ON 1370 FRAME.



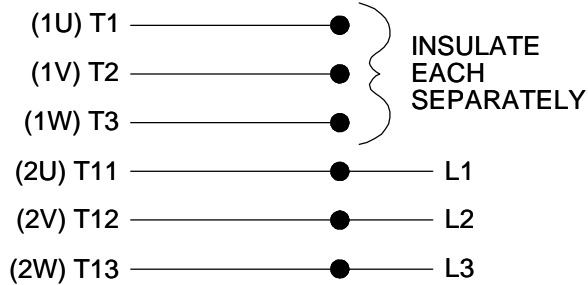
DASH	FR.	C	BS	MOUNTING
1370	254T	20.57	7.68	F1 OR F2
1545	254T/256T	22.32	9.43	F1 OR F2

NO.	REVISION	BY & DATE	CHK	ANG	±7'30"	TOLERANCES UNLESS SPECIFIED		MARATHON ELECTRIC	DRAWN SMC 04-22-1993			
						DEC.	INCHES					
8	ADDED F2 VIEW	UD 11/13/13	GR									
7	UPDATED DRAWING	TJW 04/27/2007							CHK MOL 04-23-1993			
6	REDRAWN IN AUTOCAD	TAT 05-19-2005	ML	.X	±.1				APPD DRN 09-13-1993			
5	UPDATED CONDUIT BOX CN 28427	TJB 01-31-2000		.XX	±.03	TITLE OUTLINE			SCALE 1=5			
4	ADDED NOTE #4 FOR F2 MOUNT CN 24000-581	MH 06-10-1997		.XXX	±.005	250 FR. - BB - DR.PR.			REF			
3	DASH 1545 WAS FOR 256T FR. ONLY CN 18683	KL 09-12-1994		.XXXX	±.0005	MAT'L.			FMF			
						FINISH			PREV			
THIS DRAWING IN DESIGN AND DETAIL IS OUR PROPERTY AND MUST NOT BE USED EXCEPT IN CONNECTION WITH OUR WORK ALL RIGHTS OF DESIGN AND INVENTION ARE RESERVED THIS IS AN ELECTRONICALLY GENERATED DOCUMENT - DO NOT SCALE THIS PRINT						RFP	CAD FILE ss86503		SIZE A	DRAWING NO. SS86503	PAGE OF 8	REV. 8
						DIST LB						

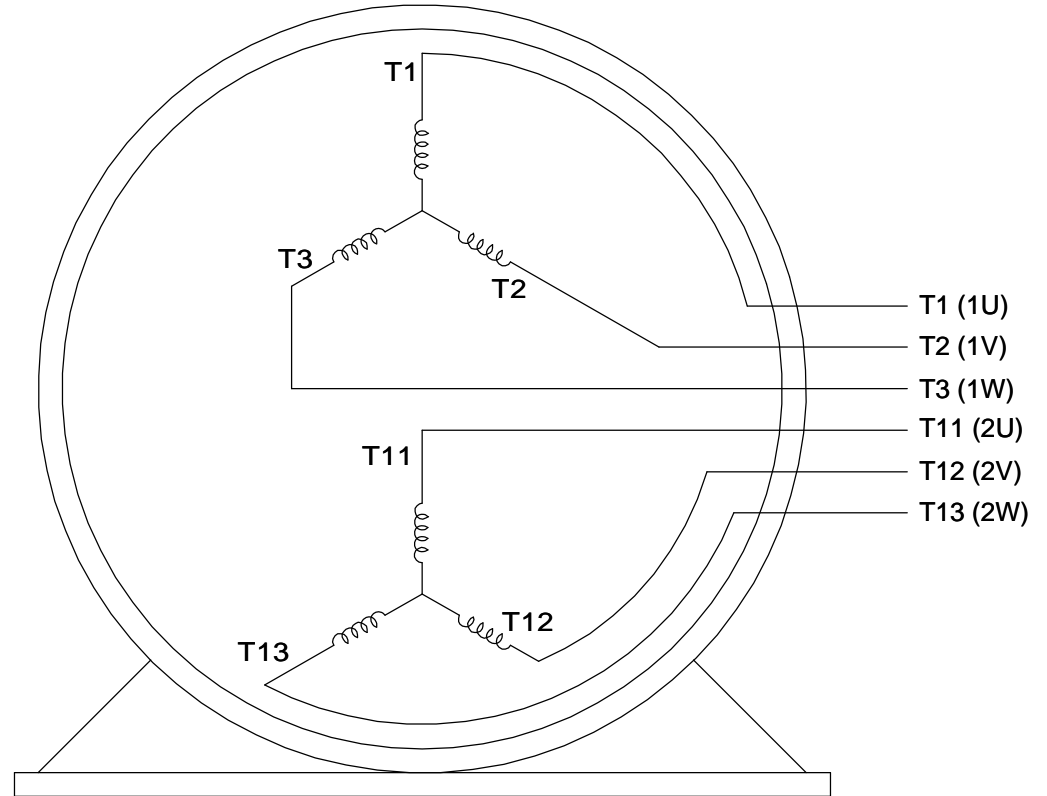
LOW SPEED



HIGHSPEED



**THREE PHASE, SINGLE VOLT, 6 LEAD
2 SPEED REVERSIBLE MOTOR**



VIEW OF TERMINAL END

TO REVERSE ROTATION ON
EITHER SPEED: INTERCHANGE
ANY 2 LEADS ON THE
WINDING IN USE.

DRAWING REVISION C	REVISION BY JJB	DATE 10-25-2017		DRAWN BY LZ	Regal Beloit America, Inc.	
ECO ECO-0132917	APPROVED BY TLB	DATE 10-30-2017		DATE 01-05-1994		
ECO DESCRIPTION REVISED PER ECO & UPDATED TO STANDARDS				APPROVED BY GK	DESCRIPTION CONN DIAGRAM-INTERNAL	
<small>COPYRIGHT REGAL BELOIT AMERICA, INC. ALL RIGHTS RESERVED. PROPRIETARY AND CONFIDENTIAL INFORMATION - THIS DOCUMENT IS THE PROPERTY OF REGAL BELOIT AMERICA, INC. ("OWNER") AND CONTAINS OWNER'S PROPRIETARY INFORMATION. ANY PERSON, CORPORATION OR OTHER FIRM RECEIVING IT IS DEEMED, BY RECEIVING IT, TO AGREE THAT IT, AND/OR ANY PART OF IT, SHALL NOT BE DISCLOSED TO ANY PERSON, CORPORATION OR OTHER ENTITY, DUPLICATED, AND/OR USED, EXCEPT AS EXPRESSLY APPROVED IN WRITING IN ADVANCE BY OWNER. THIS DOCUMENT SHALL BE RETURNED TO OWNER UPON REQUEST. IT MAY BE SUBJECT TO CERTAIN RESTRICTIONS UNDER APPLICABLE EXPORT CONTROL LAWS AND REGULATIONS.</small>				DATE 01-17-1994	3 PHASE - SINGLE - 2 SPEED REVERSIBLE	
			REFERENCE	MATERIAL	PROCESS/FINISH	
			THIRD ANGLE PROJECTION	SIZE A	DRAWING NUMBER EE7317	SHEET 1 OF 1

CERTIFICATION DATA SHEET

Model#: 254TTDX7208 AB **WINDING#:** 215(4-6)34 NONE 2
CONN. DIAGRAM: A-EE7317 **ASSEMBLY:** F1/F2 CAPABLE
OUTLINE: A-SS86503-1370

TYPICAL MOTOR PERFORMANCE DATA

HP	KW	SYNC. RPM	F.L. RPM	FRAME	ENCLOSURE	KVA CODE	DESIGN
7 1/2&3 1/3	5.6&2.48	1200	1755&1175	254T	DP	H	2VT

PH	Hz	VOLTS	FL AMPS	START TYPE	DUTY	INSL	S.F	AMB°C	ELEVATION
3	60/60	460	10&5.6	ACROSS THE LINE	CONTINUOUS	B3	1.15/1.15	40	3300

FULL LOAD EFF: 84&77.5	3/4 LOAD EFF: 77.5	1/2 LOAD EFF: 74.5	GTD. EFF	ELEC. TYPE	NO LOAD AMPS
FULL LOAD PF: 82.9&70	3/4 LOAD PF: 59.5	1/2 LOAD PF: 46	73	SQ CAGE IND RUN	4.2

F.L. TORQUE	LOCKED ROTOR AMPS	L.R. TORQUE	B.D. TORQUE	F.L. RISE°C
14.8 LB-FT	33.5	31 LB-FT 209	46.2 LB-FT 312	65

SOUND PRESSURE @ 3 FT.	SOUND POWER	ROTOR WK^2	MAX. WK^2	SAFE STALL TIME	STARTS /HOUR	APPROX. MOTOR WGT
64 dBA	74 dBA	0.7 LB-FT^2	- LB-FT^2	- SEC.	-	100 LBS.

***** SUPPLEMENTAL INFORMATION *****

DE BRACKET TYPE	ODE BRACKET TYPE	MOUNT TYPE	ORIENTATION	SEVERE DUTY	HAZARDOUS LOCATION	DRIP COVER	SCREENS	PAINT
STANDARD	STANDARD	RIGID	HORIZONTAL	FALSE	NONE	FALSE	NONE	GRAY (ENAMEL)

BEARINGS		GREASE	SHAFT TYPE	SPECIAL DE	SPECIAL ODE	SHAFT MATERIAL	FRAME MATERIAL
DE	OPE						
BALL	BALL	POLYREX EM	T	NONE	NONE	1045 HOT ROLLED (C-204)	ROLLED STEEL
6309	6208						

THERMO-PROTECTORS				THERMISTORS	CONTROL	SPACE /n HEATERS
THERMOSTATS	PROTECTORS	WDG RTDs	BRG RTDs			
NONE	NOT	NONE	NONE	NONE	FALSE	NONE VOLTS

If Inverter equals NONE, contact factory for further information

INVERTER TORQUE: NONE
INV. HP SPEED RANGE: NONE
ENCODER: NONE
NONE NONE
NONE NONE PPR
BRAKE: NONE NONE
NONE P/N NONE
NONE NONE
NONE FT-LB NONE V NONE Hz

*
N
O
T
E
S
*

DATE: 06/21/2017 10:28:43 AM
 FORM 3531 REV.3 02/07/99

** Subject to change without notice.