

# PRODUCT INFORMATION PACKET

Model No: 5KC35GNA488  
Catalog No: CG382  
1/4, 1725, DP, 48, 1/60/115  
Instant Reversing



Regal and Marathon are trademarks of Regal Beloit Corporation or one of its affiliated companies.  
©2018 Regal Beloit Corporation, All Rights Reserved. MC017097E





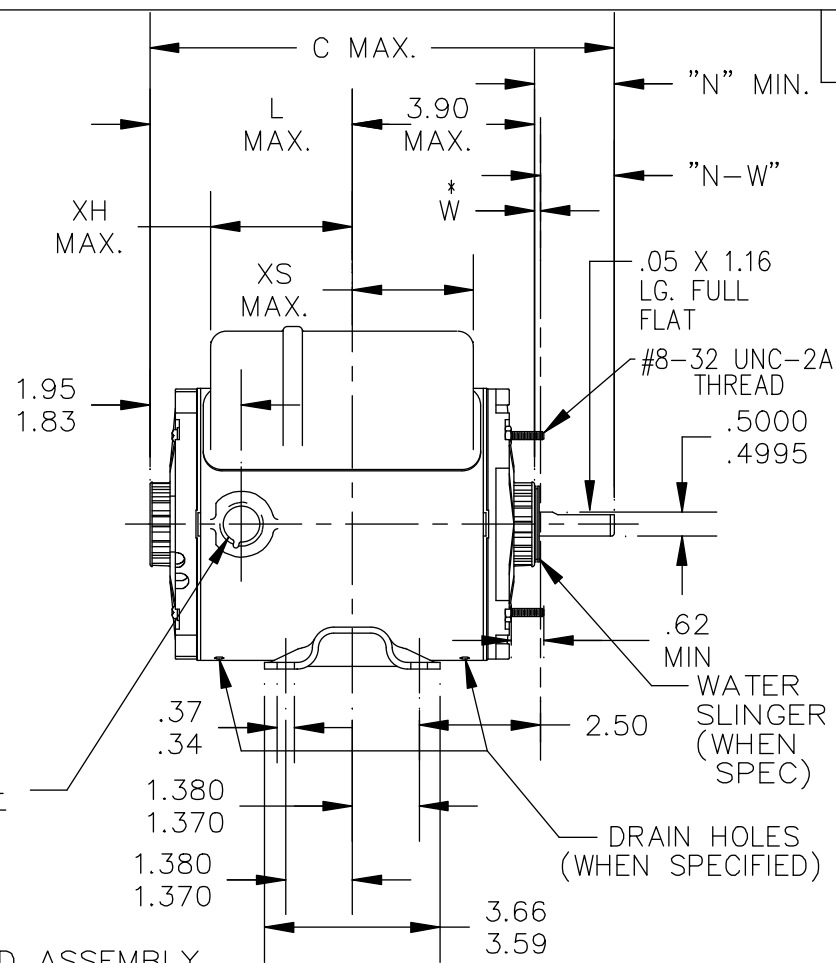
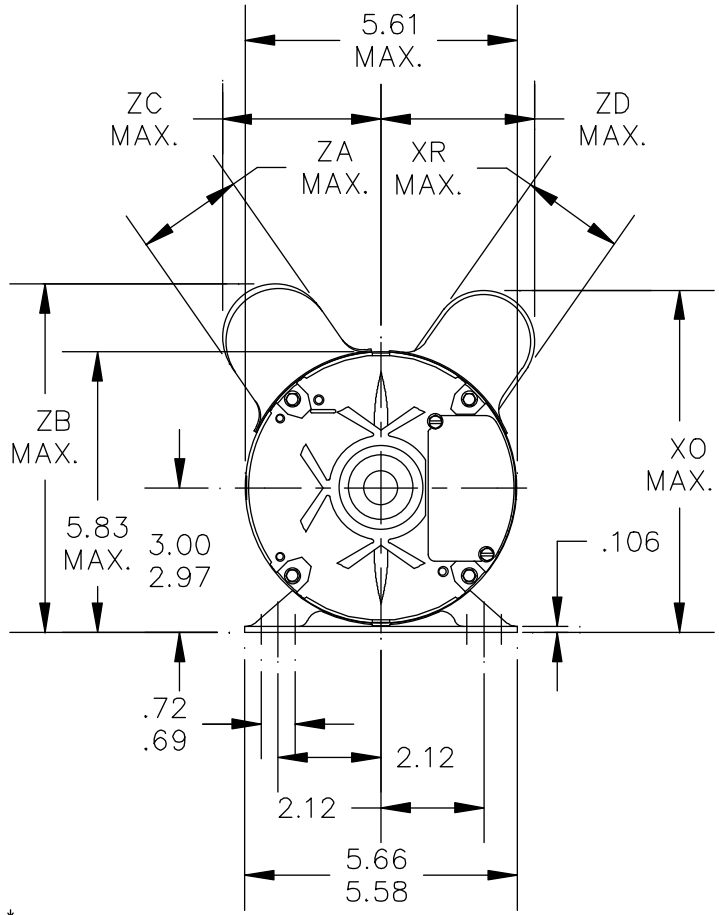
### Nameplate Specifications

Output HP	<b>0.25 Hp</b>	Output KW	<b>0.19 kW</b>
Frequency	<b>60 Hz</b>	Voltage	<b>115 V</b>
Current	<b>5.2 A</b>	Speed	<b>1725 rpm</b>
Service Factor	<b>1.35</b>	Phase	<b>1</b>
Efficiency	<b>52.6 %</b>	Duty	<b>CONT</b>
Insulation Class	<b>B</b>	KVA Code	<b>M</b>
Frame	<b>48</b>	Enclosure	<b>DP</b>
Overload Protector	<b>N/R</b>	Ambient Temperature	<b>40 °C</b>
Drive End Bearing Size	<b>6203</b>	Opp Drive End Bearing Size	<b>6203</b>
UL	<b>Recognized</b>	CSA	<b>Yes</b>
CE	<b>N</b>		

### Technical Specifications


Electrical Type	<b>Capacitor start(CSIR)</b>	Starting Method	<b>IR</b>
Poles	<b>4</b>	Rotation	<b>INSREV</b>
Mounting	<b>WB</b>	Motor Orientation	<b>ANY</b>
Drive End Bearing	<b>BALL</b>	Opp Drive End Bearing	<b>BALL</b>
Frame Material	<b>Rolled Steel</b>	Overall Length	<b>9.57 in</b>
Frame Length	<b>5.79 in</b>	Shaft Diameter	<b>0.5 in</b>
Shaft Extension	<b>1.5 in</b>		
Outline Drawing	<b>52A109398P1</b>	Connection Diagram	<b>52A106822</b>

This is an uncontrolled document once printed or downloaded and is subject to change without notice. Date Created: 04/05/2018

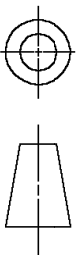


W\* IS A CLEARNCE DUE TO VARIATION IN PARTS AND ASSEMBLY.

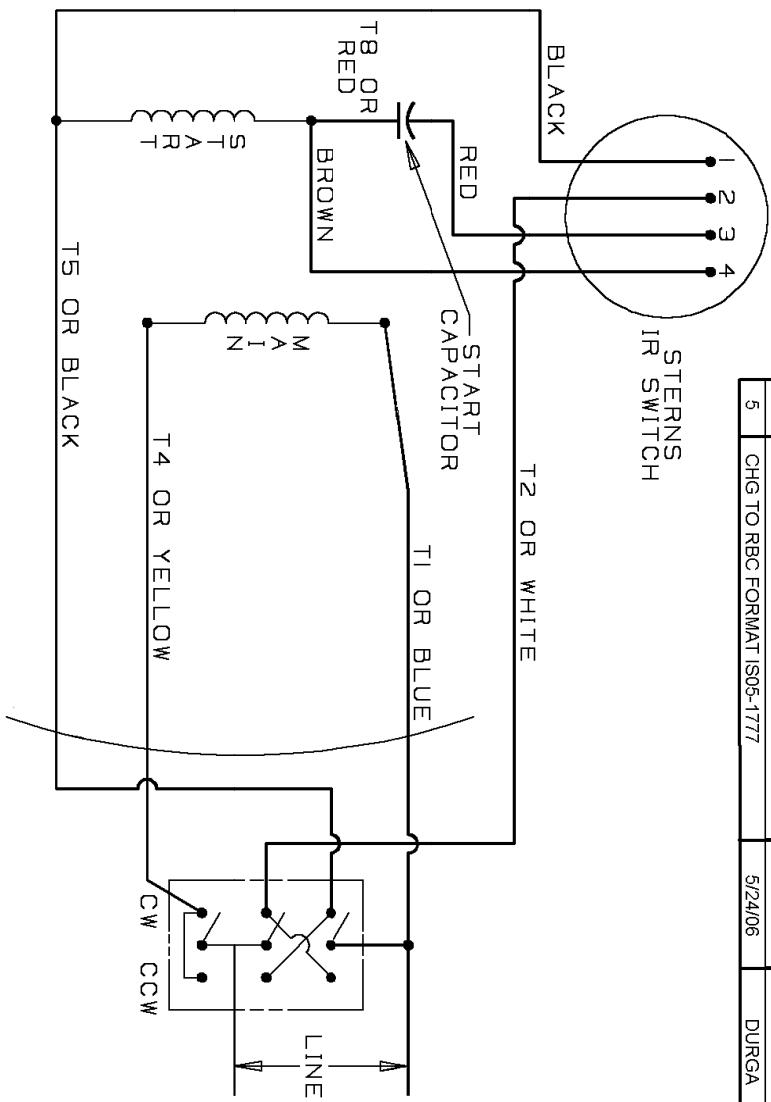
I	KC	35	48	9.57	4.22	2.57	1.93	1.60	6.88	2.59	2.15	7.31	3.21	1.50	1.63 1.41
P	TYPE	RBC SIZE	NEMA FR	C	L	XH	XS	XR	XO	ZD	ZA	ZB	ZC	"N" MIN.	N-W

										TOLERANCES UNLESS SPECIFIED		 <b>REGAL-BELOIT CORPORATION</b>				DRAWN M.M.E 02/28/94		
										DEC.	INCHES					CHK		
										.X	±0.1	APPD M.M.E 02/28/94						
										.XX	±0.02	SCALE 1=1						
2	REDRAWN IN DRAFTSIGHT							GR	10/16/12	PKG	.XXX	±0.005	TITLE OUTLINE DRIP PROOF WELDED BASE				REF	
1	CHG TO RBC FORMAT PER ISO5-1777							SD	03/14/06		.XXXX	±0.0005					MAT'L.	FMF
NO.	REVISION							BY & DATE	CHK	ANG	±1.0	FINISH	PREV					
THIS DRAWING IN DESIGN AND DETAIL IS OUR PROPERTY AND MUST NOT BE USED EXCEPT IN CONNECTION WITH OUR WORK. ALL RIGHTS OF DESIGN AND INVENTION ARE RESERVED. THIS IS AN ELECTRONICALLY GENERATED DOCUMENT - DO NOT SCALE THIS PRINT										RFP	CAD FILE			52A109398	SIZE	DRAWING NO.		REV.
										DIST				A	52A109398		2	

THIRD ANGLE PROJECTION



REV	DESCRIPTION	DATE	APPROVED
1	ADDED CONN. LABEL	06/29/89	M.D.PAPE
2	REV VIEW OF SWITCH	07/20/89	MAM
3	ADDED CW & CCW TO SWITCH	08/29/89	M.D.PAPE
4	ADDED NOTE#1 (T190-27245)	06/01/90	MAM
5	CHG TO RBC FORMAT ISO5-1777	5/24/06	DURGA



INSTANTLY REVERSIBLE  
STERNS IR SWITCH  
SINGLE VOLTAGE - TYPE KC

NOTE#1- DO NOT APPLY HI-POT VOLTAGE FROM LEAD TO LEAD.  
THE ALL LEADS TOGETHER AND HI-POT TO GROUND.  
IF HI-POT LEAD TO LEAD IS PERFORMED, DISCONNECT  
SWITCH PRIOR TO HI-POT OPERATION. FAILURE TO  
DO THIS COULD RESULT IN ELECTRONIC COMPONENT  
IN S.S. SWITCH.

CONN. LABEL - 52X332974

UNLESS OTHERWISE SPECIFIED	SIGNATURES	DATE
DIMENSIONS ARE IN INCHES TOLERANCES ON 2 PL. DECIMALS ± 3 PL. DECIMALS ± ANGLES ± FRACTIONS ±	DRAWN MAM CHECKED ENGRG ISSUED MAM	06/26/89   06/26/89
APPLIED PRACTICES		
MATERIAL:	CAD NO. F30:52A106822	
	TITLE REGAL-BELOIT CORPORATION CONNECTION DIAGRAM	
	SIZE FSCM NO A	DWG NO 52A106822
	SCALE	SHEET 1 OF 1

DISTR TO B112.F107(M),F114(3),G1,G7,J10,J11