

# PRODUCT INFORMATION PACKET

**marathon**<sup>®</sup>  
Motors

Model No: 404TSTDS6327  
Catalog No: U452A  
100,1800,DP,404TSC,3/60/230/460  
Open Drip Proof (ODP)



Regal and Marathon are trademarks of Regal Beloit Corporation or one of its affiliated companies.  
©2018 Regal Beloit Corporation, All Rights Reserved. MC017097E

**REGAL**<sup>®</sup>

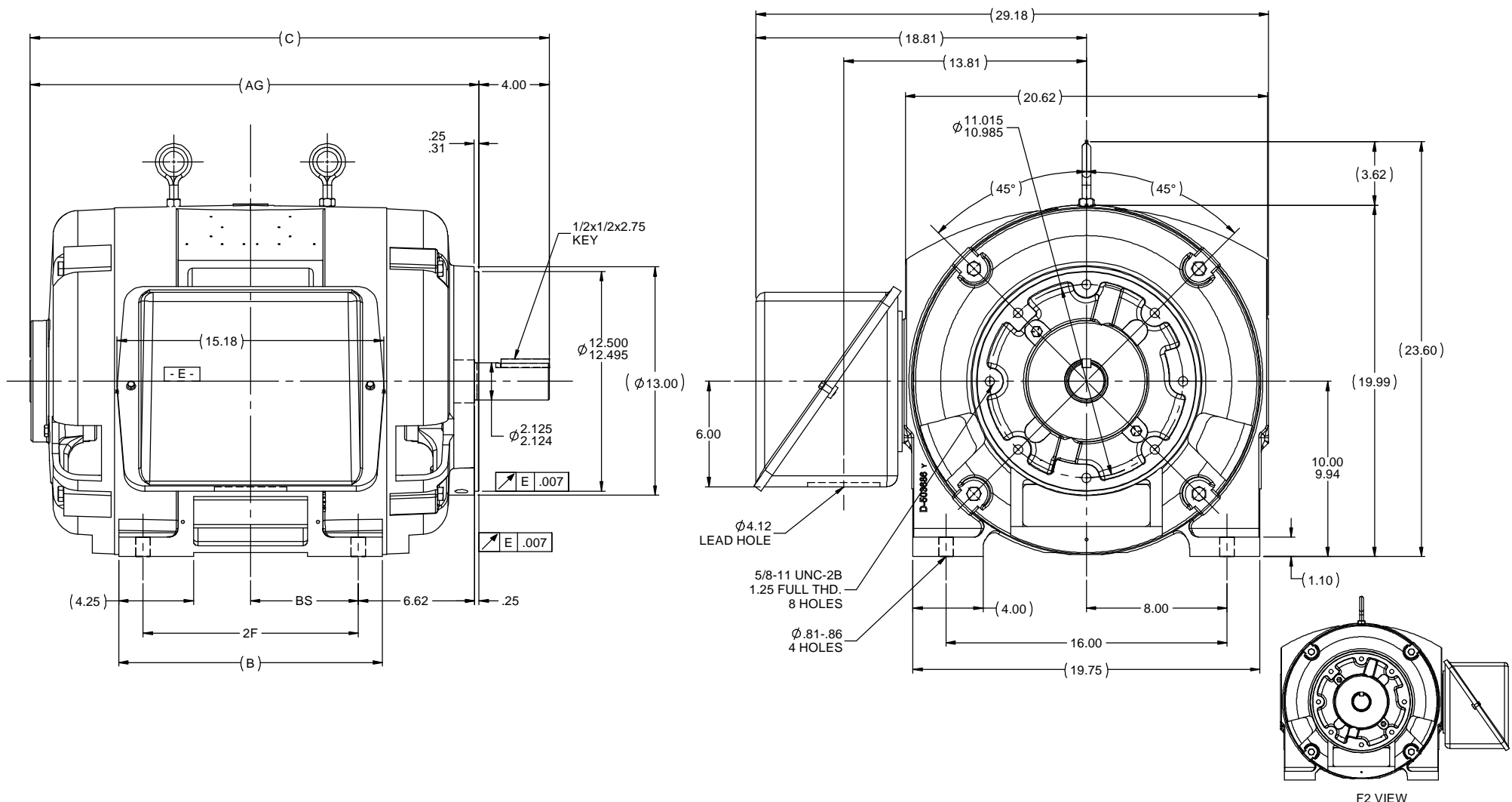


### Nameplate Specifications

Output HP	<b>100 Hp</b>	Output KW	<b>75 kW</b>
Frequency	<b>60 Hz</b>	Voltage	<b>230/460 V</b>
Current	<b>226/113 A</b>	Speed	<b>1785 rpm</b>
Service Factor	<b>1.15</b>	Phase	<b>3</b>
Efficiency	<b>95.4 %</b>	Duty	<b>CONTINUOUS</b>
Insulation Class	<b>F</b>	Design Code	<b>B</b>
KVA Code	<b>G</b>	Frame	<b>404TSC</b>
Enclosure	<b>DP</b>	Overload Protector	<b>NOT</b>
Ambient Temperature	<b>40 °C</b>	Drive End Bearing Size	<b>6313</b>
Opp Drive End Bearing Size	<b>6313</b>	UL	<b>Recognized</b>
CSA	<b>Y</b>	CE	<b>Y</b>
IP Code	<b>12</b>		

### Technical Specifications

Electrical Type	<b>SQ CAGE IND RUN</b>	Starting Method	<b>PWS(LV ONLY) &amp; YDRUN</b>
Poles	<b>4</b>	Rotation	<b>REV</b>
Mounting	<b>RIGID</b>	Motor Orientation	<b>HORIZONTAL</b>
Drive End Bearing	<b>BALL</b>	Opp Drive End Bearing	<b>BALL</b>
Frame Material	<b>CAST IRON</b>	Shaft Type	<b>TS</b>
Overall Length	<b>29.5 in</b>	Frame Length	<b>15.5 in</b>
Shaft Diameter	<b>2.13 in</b>	Shaft Extension	<b>4 in</b>
Assembly/Box Mounting	<b>F1/F2 CAPABLE</b>		
Outline Drawing	<b>B-SS510954-1550</b>	Connection Diagram	<b>A-EE7308AA</b>



- NOTES:
1. BOX CAN BE ROTATED IN 90 ° STEPS.
  2. BOX CAN BE MOUNTED ON OPPOSITE SIDE BY REMOVING BRACKETS AND TURNING FRAME 180 °.
  3. NAMEPLATES TO BE READ FROM CONDUIT BOX SIDE OF MOTOR.

DASH	FRAME	B	C	2F	AG	BS
1550	404TSC	15.00	29.50	12.25	25.50	6.12
1700	405TSC	16.50	31.00	13.75	27.00	6.88

REVISION		BY & DATE	CHK	ANG	± 1/2°	FINISH	PREV	SIZE	DRAWING NO	REV
07	ADDED F2 VIEW PER MU108019, REDRAWN IN SOLIDWORKS	JG 07/16/2012	DJK	DEC	INCHES			B	SS510954	07
06	REDRAWN IN AUTOCAD	TAT 06/29/2004	ML	X	±.1					
05	REPLACED ONE EYEBOLT FOR TWO CN28063	BJW 2/10/2000	XX		±.03	TITLE	OUTLINE			
04	UPDATED C'BOX GEOMETRY CN28063	TRB 02/10/2000	XXX		±.005		400TSC FR. - DR. PR. - (STD) - C'FACE			
03	REDRAWN IN AUTOCAD	TLB 02/29/1988	XXXXX		±.0005	MATL				
NO										



DRAWN TLB 02/29/1988  
 CHK FG 02/29/1988  
 APPR GK 02/29/1988

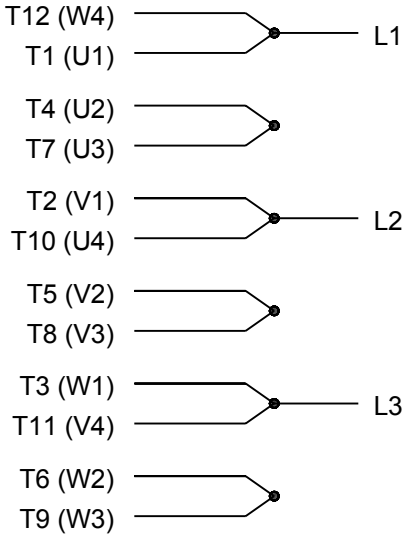
SCALE 3:16  
 REF  
 FMF

PAGE OF  
 NETWORK FILE NAME SS510954

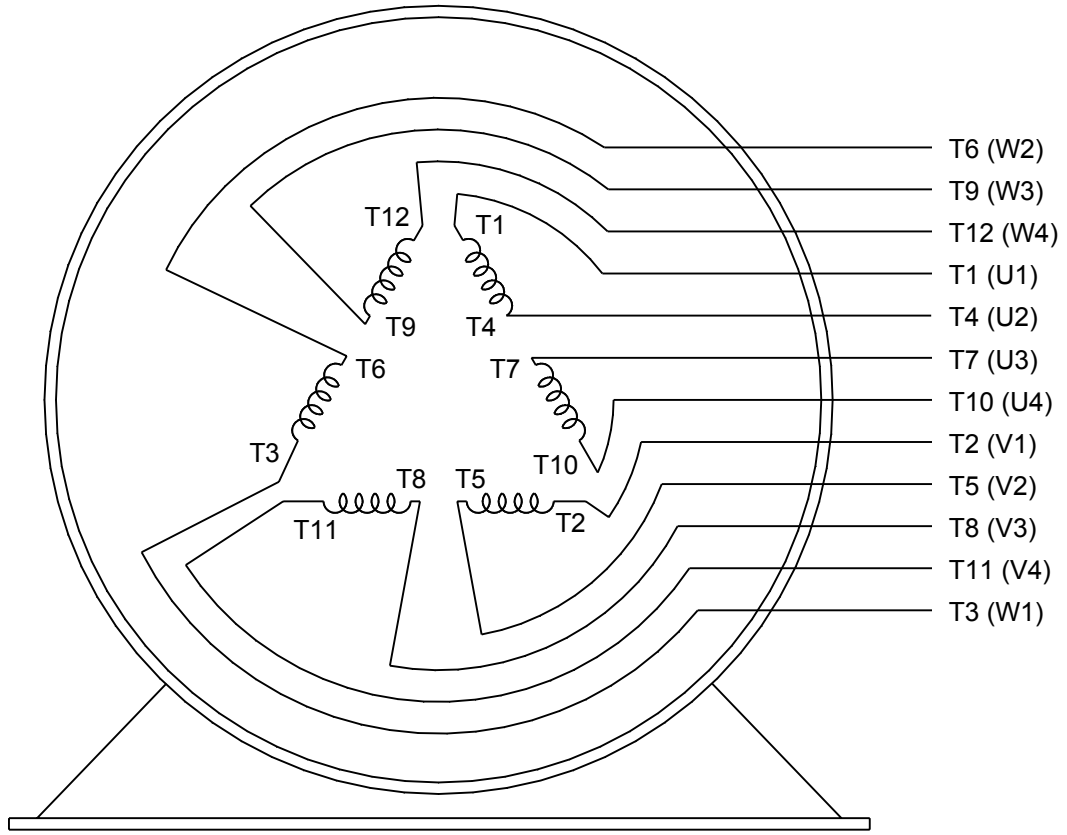




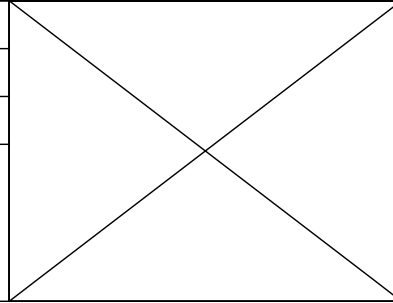
### LOW VOLTAGE



### HIGH VOLTAGE



DRAWING REVISION <b>K</b>	REVISION BY <b>AJW</b>	DATE <b>07-17-2015</b>
ECO <b>ECO-0081632</b>	APPROVED BY <b>T. VUE</b>	DATE <b>07-17-2015</b>
ECO DESCRIPTION <b>REV'D IEC MARKINGS PER IEC 60034-8</b>		
COPYRIGHT REGAL BELOIT AMERICA, INC. ALL RIGHTS RESERVED. PROPRIETARY AND CONFIDENTIAL INFORMATION - THIS DOCUMENT IS THE PROPERTY OF REGAL BELOIT AMERICA, INC. ("OWNER") AND CONTAINS OWNER'S PROPRIETARY INFORMATION. ANY PERSON, CORPORATION OR OTHER FIRM RECEIVING IT IS DEEMED, BY RECEIVING IT, TO AGREE THAT IT, AND/OR ANY PART OF IT, SHALL NOT BE DISCLOSED TO ANY PERSON, CORPORATION OR OTHER ENTITY, DUPLICATED, AND/OR USED, EXCEPT AS EXPRESSLY APPROVED IN WRITING IN ADVANCE BY OWNER. THIS DOCUMENT SHALL BE RETURNED TO OWNER UPON REQUEST. IT MAY BE SUBJECT TO CERTAIN RESTRICTIONS UNDER APPLICABLE EXPORT CONTROL LAWS AND REGULATIONS.		



DRAWN BY <b>LZ</b>	DATE <b>01-12-1994</b>
APPROVED BY <b>GK</b>	DATE <b>01-14-1994</b>
REFERENCE	MATERIAL
THIRD ANGLE PROJECTION	

<b>Regal Beloit America, Inc.</b>	
<b>CONN DIAGRAM-EXTERNAL</b> 3Ø-2/1 DELTA-12 LEADS	
SIZE <b>A</b>	DRAWING NUMBER <b>EE7308AA</b>
SHEET <b>1 OF 1</b>	