

PRODUCT INFORMATION PACKET

Model No: 5KH32EN72X
Catalog No: H291
1/6, 1725, TEFC, 48, 1/60/115
Fan and Blower



Regal and Marathon are trademarks of Regal Beloit Corporation or one of its affiliated companies.
©2018 Regal Beloit Corporation, All Rights Reserved. MC017097E





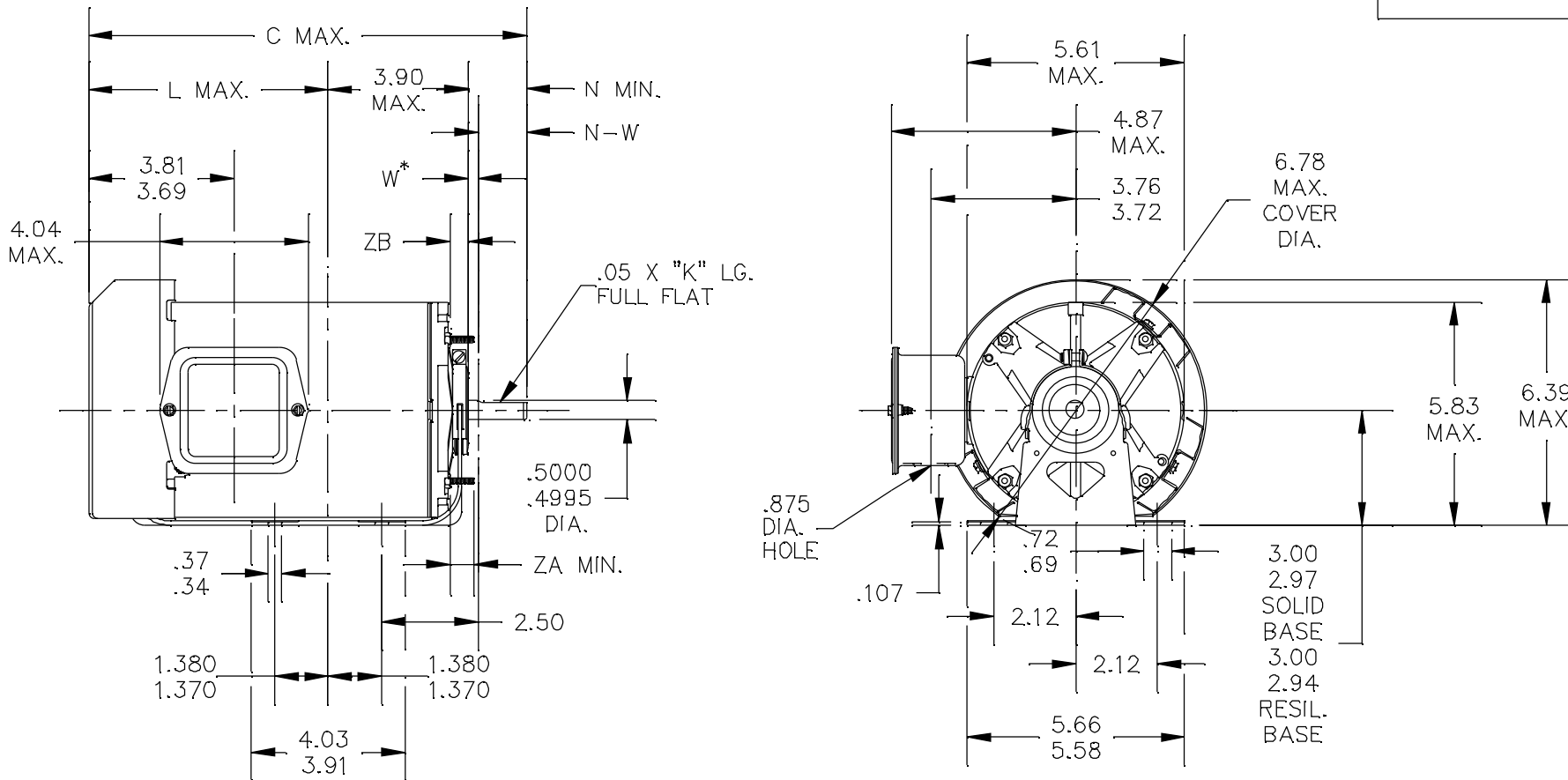
Nameplate Specifications

Output HP	0.17 Hp	Output KW	0.13 kW
Frequency	60 Hz	Voltage	115 V
Current	4 A	Speed	1725 rpm
Service Factor	1	Phase	1
Efficiency	52.5 %	Duty	CONT
Insulation Class	B	KVA Code	T
Frame	48	Enclosure	TEFC
Overload Protector	AUTO	Ambient Temperature	40 °C
Drive End Bearing Size	6203	Opp Drive End Bearing Size	6203
UL	Recognized	CSA	Yes
CE	N		

Technical Specifications

Electrical Type	Split Phase	Starting Method	SM
Poles	4	Rotation	CCW/CW
Mounting	RB	Motor Orientation	ANY
Drive End Bearing	BALL	Opp Drive End Bearing	BALL
Frame Material	Rolled Steel	Overall Length	9.92 in
Frame Length	5.16 in	Shaft Diameter	0.5 in
Shaft Extension	1.5 in	Thru-bolts Extension	0
Outline Drawing	52A102047P1	Connection Diagram	52A105379BA

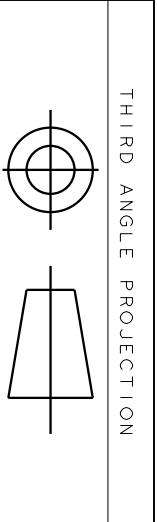
This is an uncontrolled document once printed or downloaded and is subject to change without notice. Date Created: 04/06/2018



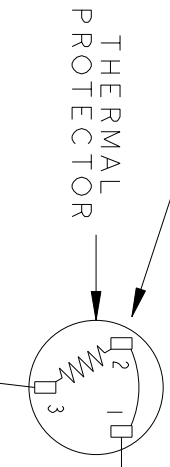
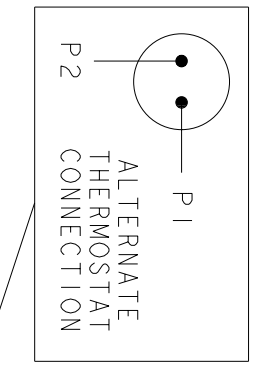
W* IS A CLEARANCE DUE TO VARIATION IN PARTS AND ASSEMBLY

5	KH	37	48	11.38	6.00	1.50	1.16	1.63/1.41	.62	.55/.52	10	KH	32	48Z	10.92	4.54	2.50	2.16	2.63/2.41	.62	.55/.52
4	KH	36	48	10.98	5.60	1.50	1.16	1.63/1.41	.62	.55/.52	9	KH	33	48	10.17	4.79	1.50	1.16	1.63/1.41	.78	.55/.52
3	KH	35	48	10.55	5.17	1.50	1.16	1.63/1.41	.62	.55/.52	8	KH	36	48Z	11.06	5.60	1.88	1.54	2.01/1.79	.62	.55/.52
2	KH	33	48	10.17	4.79	1.50	1.16	1.63/1.41	.62	.55/.52	7	KH	35	48Z	11.55	5.17	2.50	2.16	2.63/2.41	.62	.55/.52
1	KH	32	48	9.92	4.54	1.50	1.16	1.63/1.41	.62	.55/.52	6	KH	38	48	11.98	6.60	1.50	1.16	1.63/1.41	.62	.55/.52
P	TYPE	RBC SIZE	NEMA FR.	C	L	N	K	N-W	ZA	ZB	P	TYPE	RBC SIZE	NEMA FR.	C	L	N	K	N-W	ZA	ZB

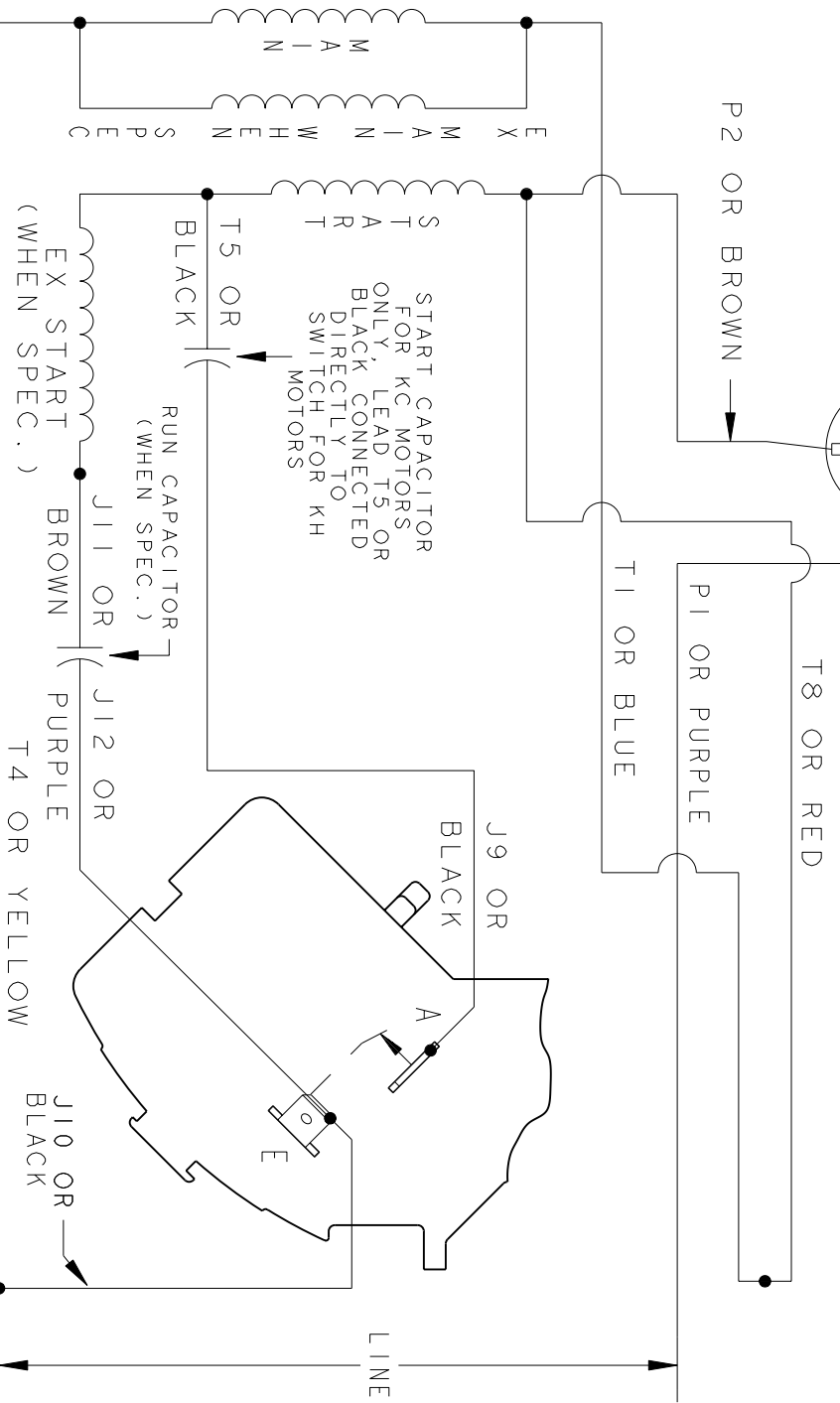
				TOLERANCES UNLESS SPECIFIED		DRAWN FPK 12/16/96	
				DEC.	INCHES	CHK FPK 12/13/96	
15	REDRAWN IN DRAFT SIGHT-NO CHANGES	UD	10/17/12	PKG	.X	±0.1	APPD AAU 12/12/96
14	UPDATED AS PER IS 07-0652	BL	04/27/07	.XX	±0.02	TITLE	SCALE 1=1
13	CHG TO RBC FORMAT PER IS05-1777	DS	12/22/05	.XXX	±0.005	OUTLINE	REF
12	REDRAWN BY 2M SOFTWARE CO	AAU	02/12/96	.XXXX	±0.0005	FORM N-TOTALLY ENCLOUTBOARD FAN-SOLID OR RESI	FMF
NO.	REVISION	BY & DATE	CHK	ANG	±1.0	FINISH	PREV
THIS DRAWING IN DESIGN AND DETAIL IS OUR PROPERTY AND MUST NOT BE USED EXCEPT IN CONNECTION WITH OUR WORK ALL RIGHTS OF DESIGN AND INVENTION ARE RESERVED THIS IS AN ELECTRONICALLY GENERATED DOCUMENT - DO NOT SCALE THIS PRINT				RFP	CAD FILE	52A102047	SIZE
				DIST			DRAWING NO.
						A	52A102047
							REV. 15



REVISIONS		DATE	APPROVED
REV.	DESCRIPTION		
9	UPDATED FORMAT	12/02/05	MAM



- CCW/CW ROTATION -
 - SINGLE VOLTAGE -
 TYPE KC, KCR OR KH WITH
 THERMAL PROTECTOR



NOTE #1 - TO REVERSE ROTATION INTERCHANGE BLUE (T1) AND YELLOW (T4) LEADS.

NOTE #2 - WHEN MORE THAN ONE CAPACITOR IS USED CONNECT IN PARALLEL.

REF. DIAG. - 113A329

SWITCH (H) - 115D958AA
 CONNECTION LABEL - 52X332919

SIGNATURES	DATE
MODEL M.D. PAPE	06/29/87
DETAIL	
CHECKED	
ENGRG	
MFG	
QUALITY	
ISSUED	M.D.P. 12/02/94
MATERIAL	SOLID MODEL: 52A105379BA



REGAL-BELOIT CORPORATION

CONNECTION DIAGRAM

FME: 3-FR SWITCH REDESIGN

52A105379BA

SIZE DRAWING	A	SCALE: 1.000	REF. No.:	SHEET 1 of 1
REV	9			