

PRODUCT INFORMATION PACKET

Model No: 090LT34FH6302
Catalog No: R421A
3,3600,TEFC,90L,3/60/575
TEFC



Regal and Marathon are trademarks of Regal Beloit Corporation or one of its affiliated companies.

©2018 Regal Beloit Corporation, All Rights Reserved. MC017097E





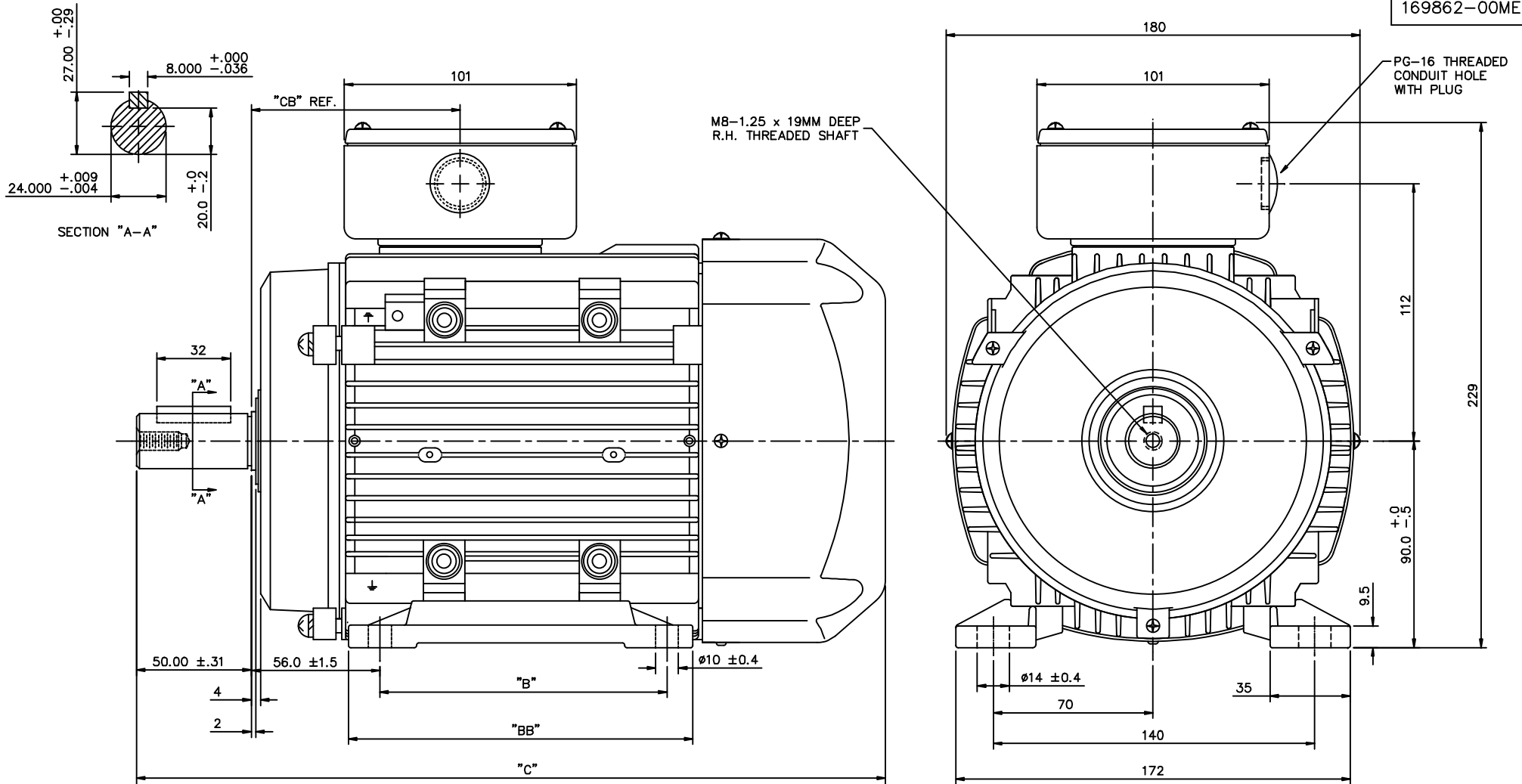
Nameplate Specifications

Output HP	3 Hp	Output KW	2.24 kW
Frequency	60 Hz	Voltage	575 V
Current	3 A	Speed	3500 rpm
Service Factor	1.15	Phase	3
Efficiency	87.5 %	Duty	CONTINUOUS
Insulation Class	F	Design Code	B
KVA Code	K	Frame	90S
Enclosure	TEFC	Overload Protector	NOT
Ambient Temperature	40 °C	Drive End Bearing Size	6205
Opp Drive End Bearing Size	6205	UL	Recognized
CSA	Y	CE	Y
IP Code	55		

Technical Specifications

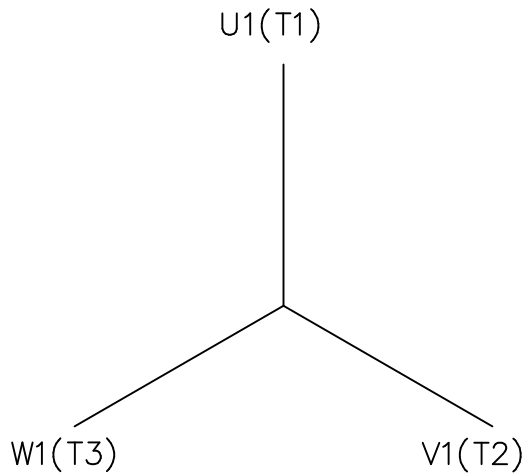
Electrical Type	SQ CAGE INV RATED	Starting Method	LINE OR INVERTER
Poles	2	Rotation	REV
Mounting	B3	Motor Orientation	HORIZONTAL
Drive End Bearing	BALL	Opp Drive End Bearing	BALL
Frame Material	ALUMINUM	Shaft Type	STANDARD IEC
Overall Length	13.42 in	Shaft Diameter	1 in
Shaft Extension	1.96 in	Assembly/Box Mounting	F3
Outline Drawing	16986200ME	Connection Diagram	00546801ME

This is an uncontrolled document once printed or downloaded and is subject to change without notice. Date Created: 04/05/2018

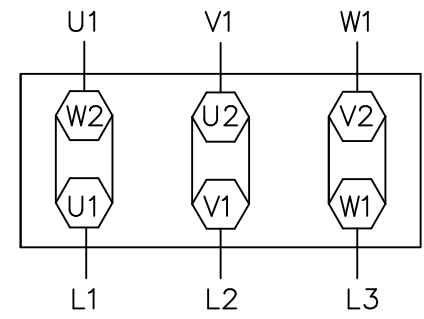


FRAME DESIGN	"B"	"BB"	"CB"	"C"
90L	125±0.7	150	91	341
90S	100±0.7	125	79	326

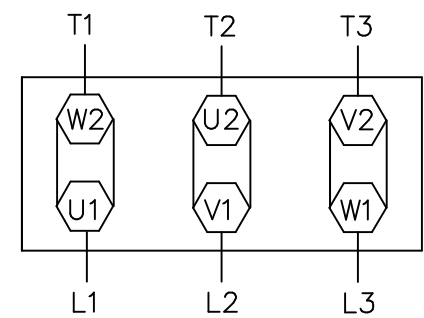
TOLERANCES UNLESS SPECIFIED		MARATHON ELECTRIC		DRAWN	
DEC.	METRIC			ADS 01/24/02	
.X	±2.5	TITLE METRIC OUTLINE, IMB3 IEC-90 FRAME		CHK	
.XX	±.76			APPD	
.XXX	±.127			SCALE 1=1.6	
.XXXX	±.0127	MATERIAL ALUMINUM		REF OSVC-300-551	
NO.	REVISION	BY & DATE	FINISH	PREV	
			ANG ±1/2'		
THIS DRAWING IN DESIGN AND DETAIL IS OUR PROPERTY AND MUST NOT BE USED EXCEPT IN CONNECTION WITH OUR WORK ALL RIGHTS OF DESIGN AND INVENTION ARE RESERVED THIS IS AN ELECTRONICALLY GENERATED DOCUMENT - DO NOT SCALE THIS PRINT				RFP	REV.
				CAD FILE 16986200ME	B 169862-00ME
				DIST	
				SIZE	DRAWING NO.
				B	169862-00ME



IEC MARKINGS



NEMA MARKINGS



TO REVERSE ROTATION
INTERCHANGE ANY TWO
LINE LEADS

		TOLERANCES UNLESS SPECIFIED	
		DEC.	INCHES
		.X	±.1
		.XX	±.01
		.XXX	±.005
		.XXXX	±.0005
NO.	REVISION	BY & DATE	CHK ANG ±1/2'



TITLE	EXTERNAL WIRING DIAGRAM TYPE "T" W/O PROT W/TERM. BLOCK
MAT'L.	
FINISH	

DRAWN	JGO 3/10/04
CHK	
APPD	
SCALE	3=4
REF	
FMF	
PREV	

THIS DRAWING IN DESIGN AND DETAIL IS OUR PROPERTY AND MUST NOT BE USED EXCEPT IN CONNECTION WITH OUR WORK ALL RIGHTS OF DESIGN AND INVENTION ARE RESERVED THIS IS AN ELECTRONICALLY GENERATED DOCUMENT - DO NOT SCALE THIS PRINT

RFP	CAD FILE	00546801ME
DIST		

SIZE	DRAWING NO.	REV.
A	005468-01ME	

CERTIFICATION DATA SHEET

Model#: 90LT34FH6302 A WINDING#: QT9026 FR 4
CONN. DIAGRAM: 00546801ME ASSEMBLY: F3
OUTLINE: 16986200ME

TYPICAL MOTOR PERFORMANCE DATA

Table with 8 columns: HP, KW, SYNC. RPM, F.L. RPM, FRAME, ENCLOSURE, KVA CODE, DESIGN. Includes rows for motor specifications, full load efficiency, torque, and sound pressure.

*** SUPPLEMENTAL INFORMATION ***

Table with 9 columns: DE BRACKET TYPE, ODE BRACKET TYPE, MOUNT TYPE, ORIENTATION, SEVERE DUTY, HAZARDOUS LOCATION, DRIP COVER, SCREENS, PAINT. Includes rows for mounting, bearings, and thermo-protectors.

If Inverter equals NONE, contact factory for further information

Table with 3 columns: INVERTER TORQUE, INV. HP SPEED RANGE, ENCODER, BRAKE, etc.

*
N
O
T
E
S
*

DATE: 06/28/2017 04:16:31 AM
FORM 3531 REV.3 02/07/99
** Subject to change without notice.