

PRODUCT INFORMATION PACKET

Model No: 5KH32GNB812X
Catalog No: HG450
1/3,1725/1425,DP,48Y,1/60/220-240
Carbonator Pump



Regal and Marathon are trademarks of Regal Beloit Corporation or one of its affiliated companies.
©2018 Regal Beloit Corporation, All Rights Reserved. MC017097E



Nameplate Specifications

Output HP	0.33 Hp	Output KW	0.25 kW
Frequency	60 Hz	Voltage	220-240 V
Current	2.7-2.7 A	Speed	1725 rpm
Service Factor	1	Phase	1
Efficiency	61.1 %	Duty	CONT
Insulation Class	B	KVA Code	N
Frame	48Y	Enclosure	DP
Overload Protector	AUTO	Ambient Temperature	40 °C
Drive End Bearing Size	6203	Opp Drive End Bearing Size	6203
UL	Recognized	CSA	Yes
CE	N		

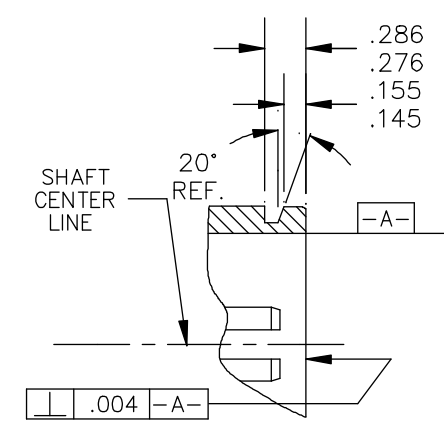
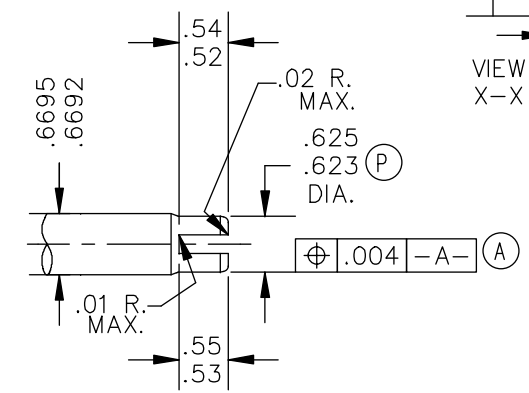
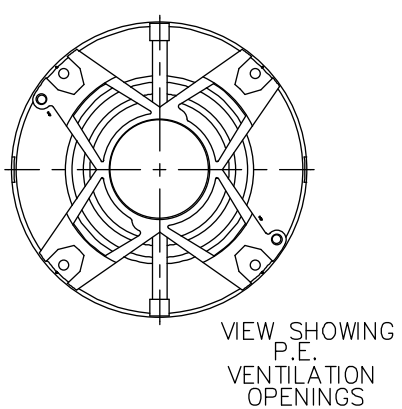
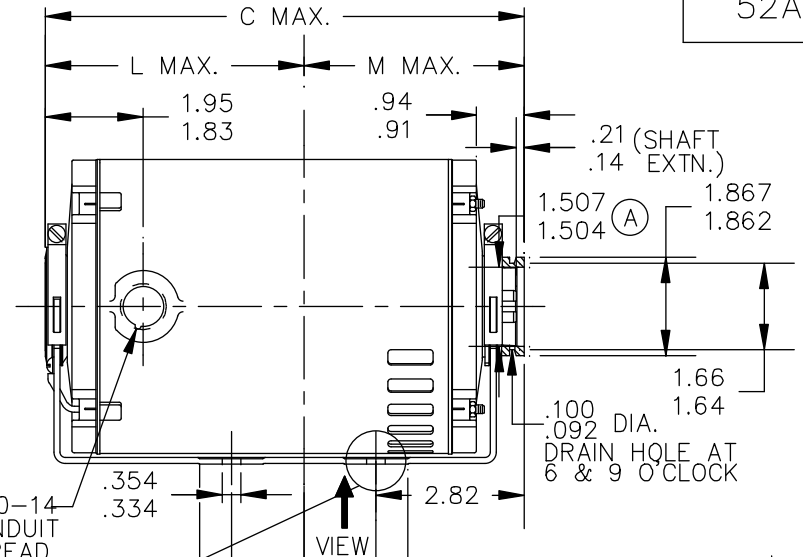
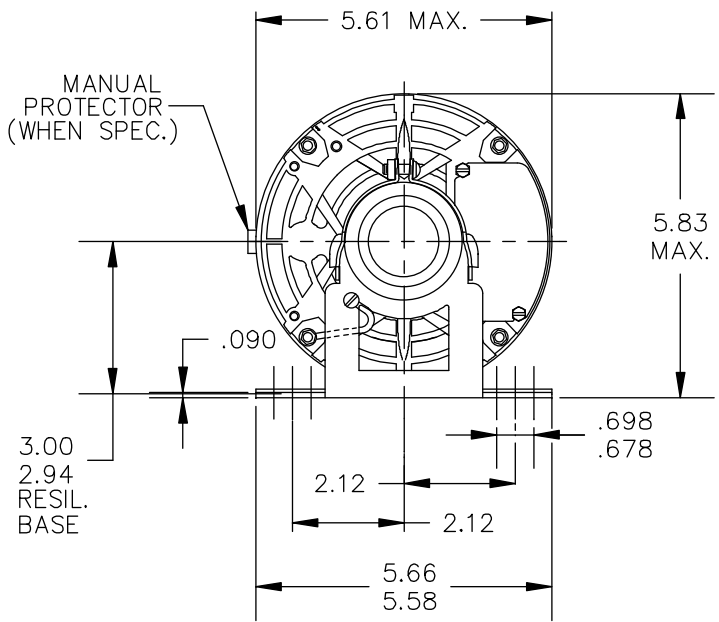
Technical Specifications

Electrical Type	Split Phase	Starting Method	SM
Poles	4	Rotation	CCW/CW
Mounting	RB	Motor Orientation	ANY
Drive End Bearing	BALL	Opp Drive End Bearing	BALL
Frame Material	Rolled Steel	Overall Length	7.69 in
Frame Length	5.16 in	Shaft Diameter	0.63 in
Shaft Extension	0.17 in		
Outline Drawing	52A113159P1	Connection Diagram	52A105379AA

This is an uncontrolled document once printed or downloaded and is subject to change without notice. Date Created: 04/05/2018

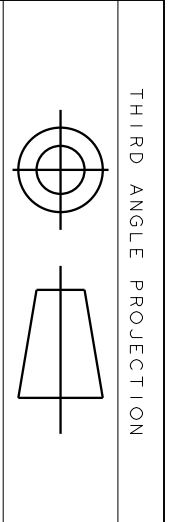
52A113159

CONTROL SURFACES & DIMENSIONS
 (P) PROC.
 (E) ENG.
 (A) APPL.
 (R) REG.



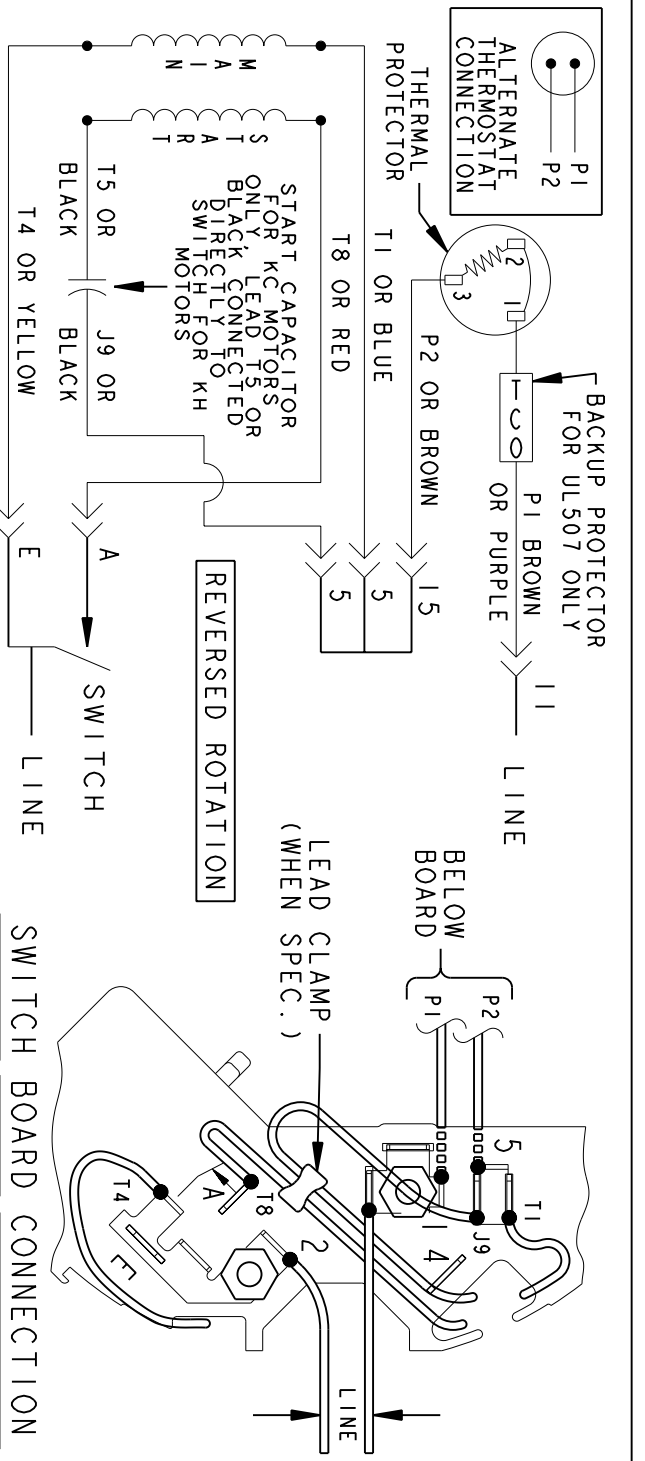
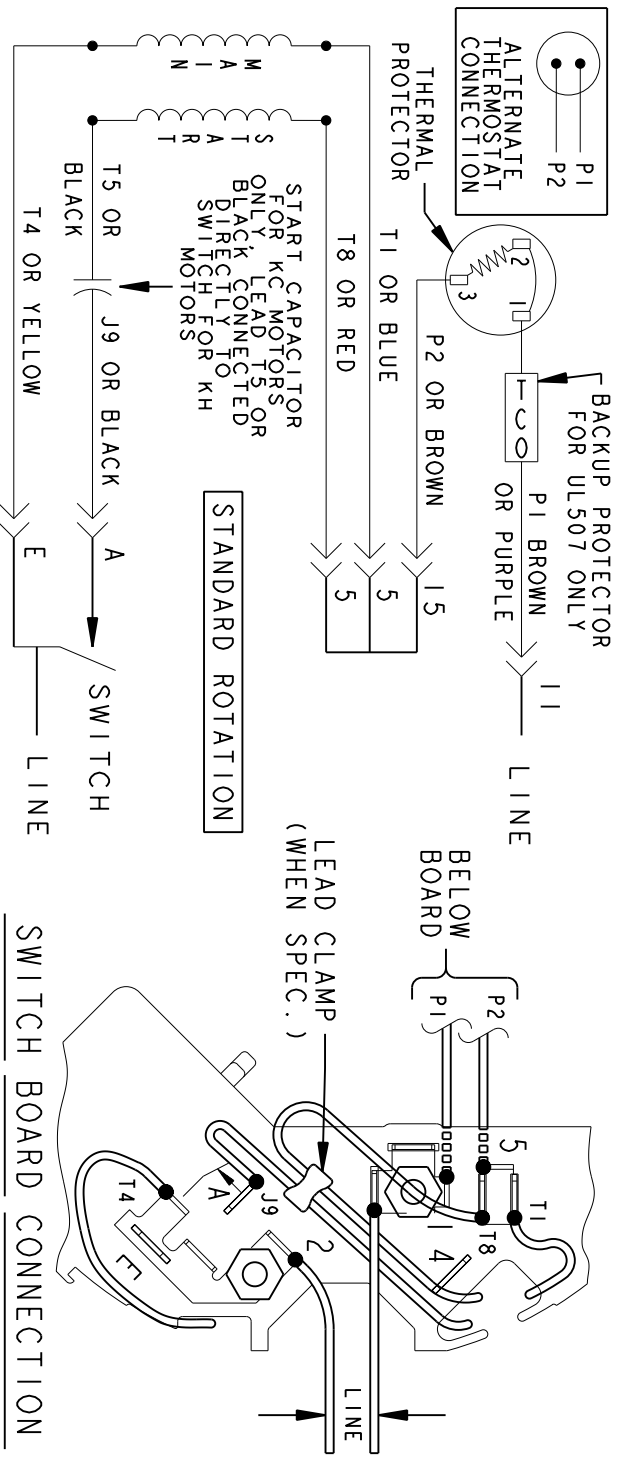
1	KH	32	48Y	7.69	3.55	4.28
P	TYPE	RBC SIZE	NEMA FR	C	L	M

				TOLERANCES UNLESS SPECIFIED		REGAL-BELOIT CORPORATION	DRAWN PVR 10/17/13			
				DEC.	INCHES		CHK PKG 10/17/13			
				.X	±0.1	TITLE OUTLINE CARBONATOR PUMP-DRIP PROOF -RESIL. BASE	APPD			
				.XX	±0.02		SCALE 1=1			
				.XXX	±0.005		REF			
01	CHANGED CONCENTRICITY TO POSITION ON GD&T		UD 10/23/13	PKG	.XXX	±0.005	FMF			
	SPECAL PER CUST REQ.				.XXXX	±0.0005	PREV			
NO.	REVISION		BY & DATE	CHK	ANG	±1.0	FINISH			
THIS DRAWING IN DESIGN AND DETAIL IS OUR PROPERTY AND MUST NOT BE USED EXCEPT IN CONNECTION WITH OUR WORK ALL RIGHTS OF DESIGN AND INVENTION ARE RESERVED THIS IS AN ELECTRONICALLY GENERATED DOCUMENT - DO NOT SCALE THIS PRINT				RFP	CAD FILE 52A113159		SIZE	DRAWING NO.		REV.
				DIST			A	52A113159		01



REV.	DESCRIPTION	DATE	APPROVED
6	UPDATED FORMAT	12/01/05	MAM

EITHER ROTATION-SINGLE VOLTAGE-TYPE KC OR KH-WITH THERMAL PROTECTOR



NOTE #1 - TO REVERSE ROTATION INTERCHANGE RED (T8) AND BLACK (J9-KC OR T5-KH) LEADS.
 NOTE #2 - WHEN MORE THAN ONE CAPACITOR IS USED CONNECT IN PARALLEL.

SWITCH (C) - 115D958AB REF. DIAG. - 121A851 CONN. LABEL - 52X332048

SIGNATURES	DATE
MODEL M.D.PAPE	06/29/87
DETAIL	
CHECKED	
ENGRG	
MFG	
QUALITY	
ISSUED	M.D.P. 03/08/00
SOLID MODEL: 52A105379AA	

REGAL-BELOIT CORPORATION

REGAL-BELOIT

CONNECTION DIAGRAM

FMF - 30 FR SWITCH REDESIGN

SCALE: 1.000 REF. No.:

52A105379AA

REV 6

SHEET 1 of 1