

# PRODUCT INFORMATION PACKET

Model No: 056C34D2118  
Catalog No: J054  
1/3,3450,DP,56J,1/60/115/208-230  
Single Phase



Regal and Marathon are trademarks of Regal Beloit Corporation or one of its affiliated companies.  
©2018 Regal Beloit Corporation, All Rights Reserved. MC017097E





### Nameplate Specifications

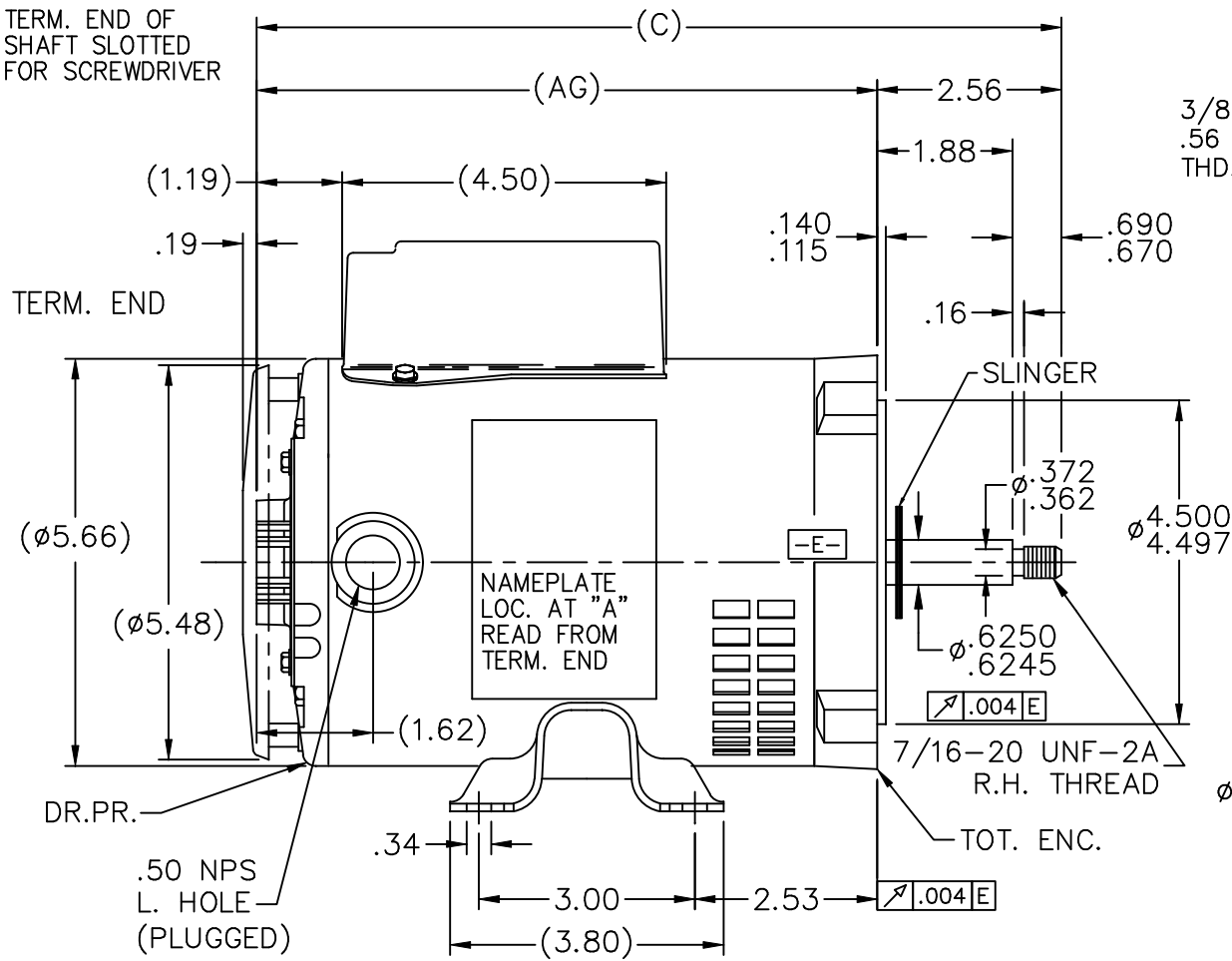
Output HP	<b>0.33 Hp</b>	Output KW	<b>0.25 kW</b>
Frequency	<b>60 Hz</b>	Voltage	<b>115/208-230 V</b>
Current	<b>5.6/2.7-2.8 A</b>	Speed	<b>3450 rpm</b>
Service Factor	<b>1.75</b>	Phase	<b>1</b>
Efficiency	<b>64 %</b>	Duty	<b>CONTINUOUS</b>
Insulation Class	<b>B</b>	Design Code	<b>NO DESIGN CODE</b>
KVA Code	<b>L</b>	Frame	<b>56J</b>
Enclosure	<b>DP</b>	Overload Protector	<b>AUTOMATIC</b>
Ambient Temperature	<b>40 °C</b>	Drive End Bearing Size	<b>6203</b>
Opp Drive End Bearing Size	<b>6203</b>	UL	<b>Recognized</b>
CSA	<b>Y</b>	CE	<b>Y</b>
IP Code	<b>22</b>		

### Technical Specifications

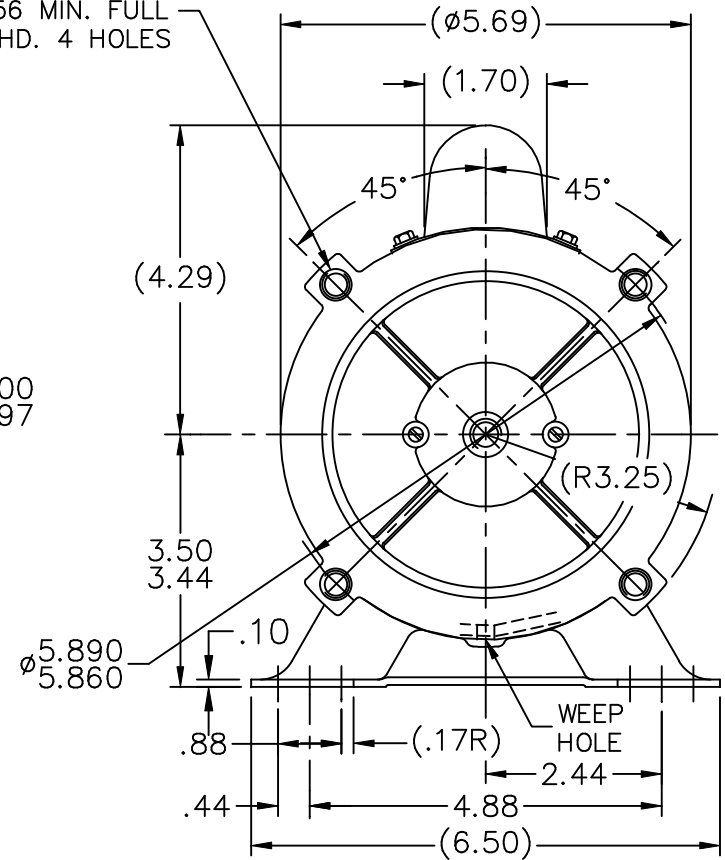
Electrical Type	<b>CAP START IND RUN</b>	Starting Method	<b>ACROSS THE LINE</b>
Poles	<b>2</b>	Rotation	<b>FIXED CW</b>
Mounting	<b>RIGID</b>	Motor Orientation	<b>HORIZONTAL OR SHAFT DOWN</b>
Drive End Bearing	<b>BALL</b>	Opp Drive End Bearing	<b>BALL</b>
Frame Material	<b>ROLLED STEEL</b>	Shaft Type	<b>JET PUMP</b>
Overall Length	<b>10.94 in</b>	Frame Length	<b>6.5 in</b>
Shaft Diameter	<b>0.63 in</b>	Shaft Extension	<b>2.56 in</b>
Assembly/Box Mounting	<b>F1 ONLY</b>		
Outline Drawing	<b>A-SS75914-650</b>	Connection Diagram	<b>A-EE9002V</b>

This is an uncontrolled document once printed or downloaded and is subject to change without notice. Date Created: 04/05/2018

TERM. END OF  
SHAFT SLOTTED  
FOR SCREWDRIVER



3/8-16 UNC-2B  
.56 MIN. FULL  
THD. 4 HOLES



DASH		C	AG		DASH		C	AG		DASH		C	AG	
625		10.69	8.12		700		11.44	8.88		775		12.19	9.62	
650		10.94	8.38		725		11.69	9.12						
675		11.19	8.62		750		11.94	9.38						

NO.	REVISION	BY & DATE	CHK	ANG	TOLERANCES UNLESS SPECIFIED	
					DEC.	INCHES
5	UPDATED DRAWING	TJW 04/20/2007			DEC.	INCHES
4	REDRAWN IN AUTOCAD	TAT 07-13-2004	ML	.X	±.1	
3	ADDED NEW FRONT BRACKET	CN 20124	RJM	04-04-1995	.XX	±.03
2	PHANTOM DRIPCOVER - ADDED SLINGER	CN 16315	KL	09-28-1993	.XXX	±.005
1	NEW DRAWING	4041651	DD	07-02-1993	.XXXX	±.0005
						±7'30"

**MARATHON ELECTRIC**

TITLE OUTLINE

MAT'L.

FINISH

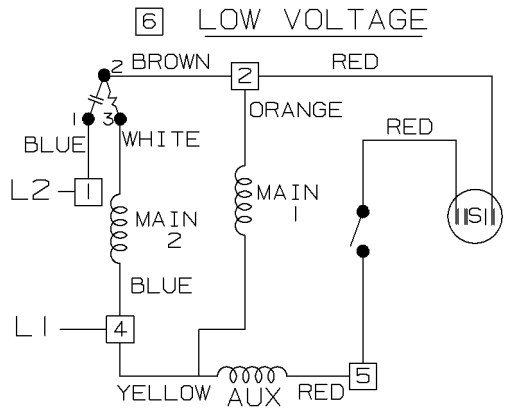
RFP

DIST WP

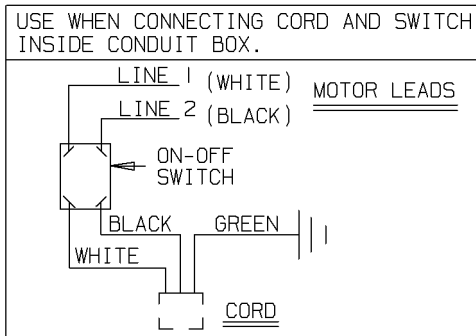
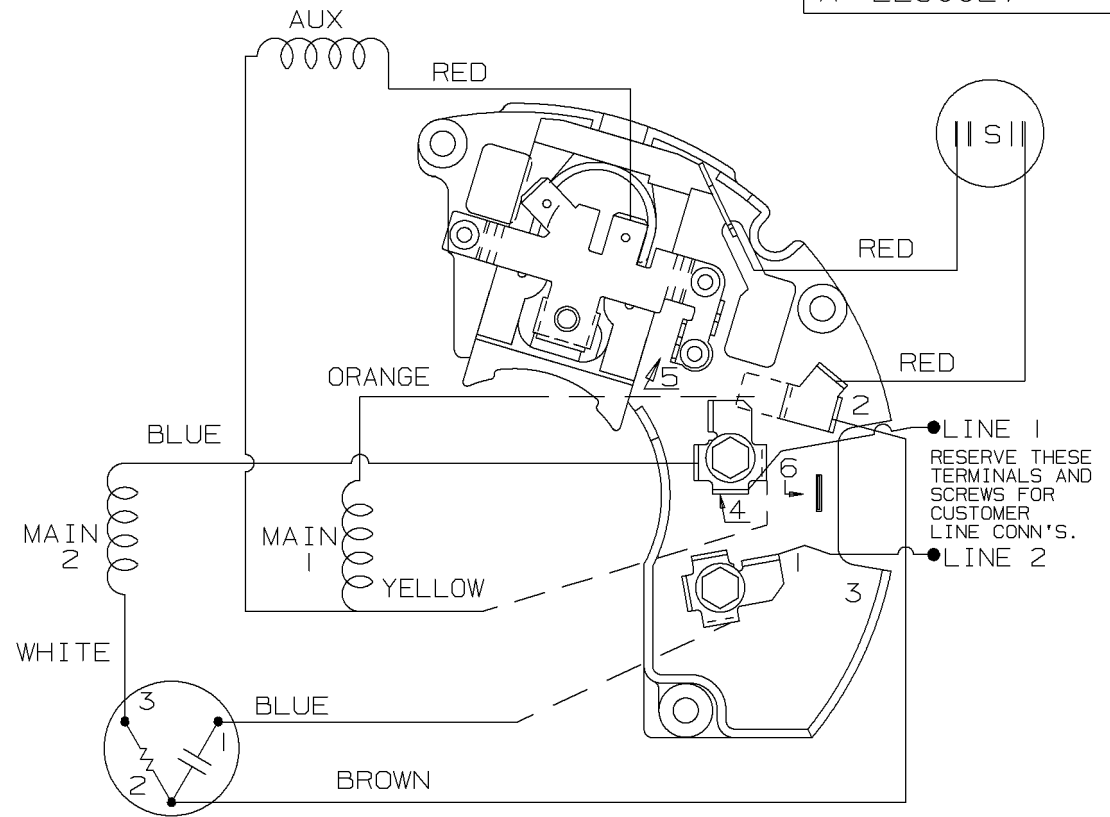
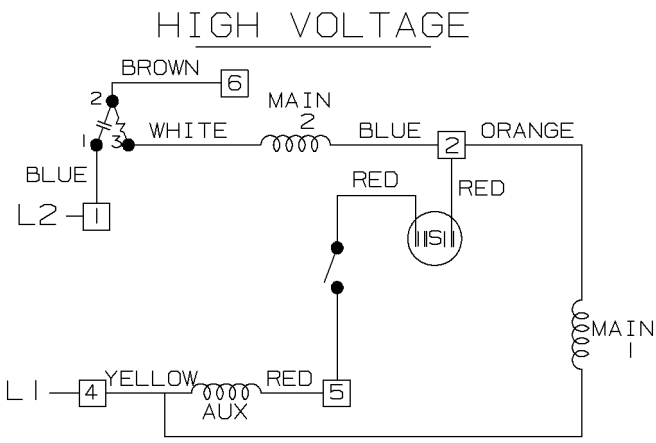
CAD FILE ss75914

SIZE A

DRAWN DD 06-30-1993
CHK MOL 07-01-1993
APPD MB 07-01-1993
SCALE 3=8
REF
FMF
PREV
DRAWING NO. SS75914
PAGE OF
REV. 5



DUAL VOLTAGE  
CAP. START NOT REVERSIBLE  
WITH OVERLOAD PROTECTION.



VIEWING TERM END

LOW VOLTAGE CW ROTATION SHOWN.  
FOR HIGH VOLTAGE  
CONNECT BROWN TERM 2 TO TERM 6.  
CONNECT BLUE TERM 4 TO TERM 2.

DASH LINES INDICATE LEADS CONNECTED TO MOTOR SIDE OF SWITCH.

3	01-28-1991	REVISED LINE 2 LOCATION	RM	✓ MAX. SURFACE ROUGHNESS UNLESS NOTED OTHERWISE	UNLESS OTHERWISE SPECIFIED DIMENSIONS ARE IN INCHES TOL. ON XX± XXX±.005 XXXX±.0005 ANGLES±
2	01-04-1991	ADDED CORD - SWITCH CONNECTION	SMC	MATL SPEC	DRAWN BY SMC 12-11-1990
1	112-11-1990	NEW DRAWING	SMC	FINISH	CHKD BY ML 12-11-1990
REV	DATE	CHANGE	NAME	REFERENCE DRW.	APPD BY GK 12-11-1990
			PART NAME CONNECTION DIAGRAM		DRWG NO
			48 FR. DUAL VOLTAGE NOT REVERSIBLE		A- EE9002V



```
ERROR: syntaxerror  
OFFENDING COMMAND: --nostringval--
```

```
STACK:
```

```
 /im  
-savelevel-
```

**CERTIFICATION DATA SHEET**

**Model#:** 56C34D2118 F      **WINDING#:** CE482197 NONE 3  
**CONN. DIAGRAM:** A-EE9002V      **ASSEMBLY:** F1 ONLY  
**OUTLINE:** A-SS75914-650

**TYPICAL MOTOR PERFORMANCE DATA**

HP	KW	SYNC. RPM	F.L. RPM	FRAME	ENCLOSURE	KVA CODE	DESIGN
1/3	0.25	3600	3450	56J	DP	L	NO DESIGN CODE

PH	Hz	VOLTS	FL AMPS	START TYPE	DUTY	INSL	S.F	AMB°C	ELEVATION
1	60	115/208-230	5.6/2.7-2.8	ACROSS THE LINE	CONTINUOUS	B3	1.75	40	3300

FULL LOAD EFF: 64	3/4 LOAD EFF: 57	1/2 LOAD EFF: 48	GTD. EFF	ELEC. TYPE	NO LOAD AMPS
FULL LOAD PF: 65	3/4 LOAD PF: 58	1/2 LOAD PF: 48	0	CAP START IND RUN	4.4 / 2.2

F.L. TORQUE	LOCKED ROTOR AMPS	L.R. TORQUE	B.D. TORQUE	F.L. RISE°C
8 LB-FT	28.2 / 14.1	14.3 LB-FT -	23 LB-FT -	30

SOUND PRESSURE @ 3 FT.	SOUND POWER	ROTOR WK^2	MAX. WK^2	SAFE STALL TIME	STARTS /HOUR	APPROX. MOTOR WGT
- dBA	- dBA	0 LB-FT^2	- LB-FT^2	- SEC.	-	0 LBS.

**\*\*\* SUPPLEMENTAL INFORMATION \*\*\***

DE BRACKET TYPE	ODE BRACKET TYPE	MOUNT TYPE	ORIENTATION	SEVERE DUTY	HAZARDOUS LOCATION	DRIP COVER	SCREENS	PAINT
C-FACE	STANDARD	RIGID	HORIZONTAL OR SHAFT DOWN	FALSE	NONE	TRUE	NONE	GRAY (POWDER)

BEARINGS		GREASE	SHAFT TYPE	SPECIAL DE	SPECIAL ODE	SHAFT MATERIAL	FRAME MATERIAL
DE	OPE						
BALL	BALL	POLYREX EM	JET PUMP	NONE	NONE	416 STAINLESS (C-503)	ROLLED STEEL
6203	6203						

THERMO-PROTECTORS				THERMISTORS	CONTROL	SPACE /n HEATERS
THERMOSTATS	PROTECTORS	WDG RTDs	BRG RTDs			
NONE	AUTOMATIC	NONE	NONE	NONE	FALSE	NONE VOLTS

If Inverter equals NONE, contact factory for further information

INVERTER TORQUE: NONE
INV. HP SPEED RANGE: NONE
ENCODER: NONE
NONE NONE
NONE NONE PPR
BRAKE: NONE NONE
NONE P/N NONE
NONE NONE
NONE FT-LB NONE V NONE Hz

\*  
N  
O  
T  
E  
S  
\*

DATE: 06/27/2017 07:46:11 AM  
 FORM 3531 REV.3 02/07/99

\*\* Subject to change without notice.