

PRODUCT INFORMATION PACKET

Model No: 5KC37FN65X
Catalog No: C329
1/3,3450,DP,56J,1/60/115/230
Single Phase



Regal and Marathon are trademarks of Regal Beloit Corporation or one of its affiliated companies.

©2018 Regal Beloit Corporation, All Rights Reserved. MC017097E





Nameplate Specifications

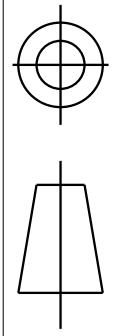
Output HP	0.33 Hp	Output KW	0.25 kW
Frequency	60 Hz	Voltage	115/208-230 V
Current	6.4,3.0-3.2 A	Speed	3450 rpm
Service Factor	1.75	Phase	1
Efficiency	54.6 %	Duty	CONT
Insulation Class	B	KVA Code	M
Frame	56J	Enclosure	DP
Overload Protector	AUTO	Ambient Temperature	40 °C
Drive End Bearing Size	6203	Opp Drive End Bearing Size	6203
UL	Recognized	CSA	Yes
CE	N		

Technical Specifications

Electrical Type	Capacitor start(CSIR)	Starting Method	SM
Poles	2	Rotation	CW
Mounting	RD	Motor Orientation	ANY
Drive End Bearing	LOCKED	Opp Drive End Bearing	BALL
Frame Material	Rolled Steel	Overall Length	11.22 in
Frame Length	6.62 in	Shaft Diameter	0.63 in
Shaft Extension	2.39 in		
Outline Drawing	52A102690P4	Connection Diagram	52A105384AA

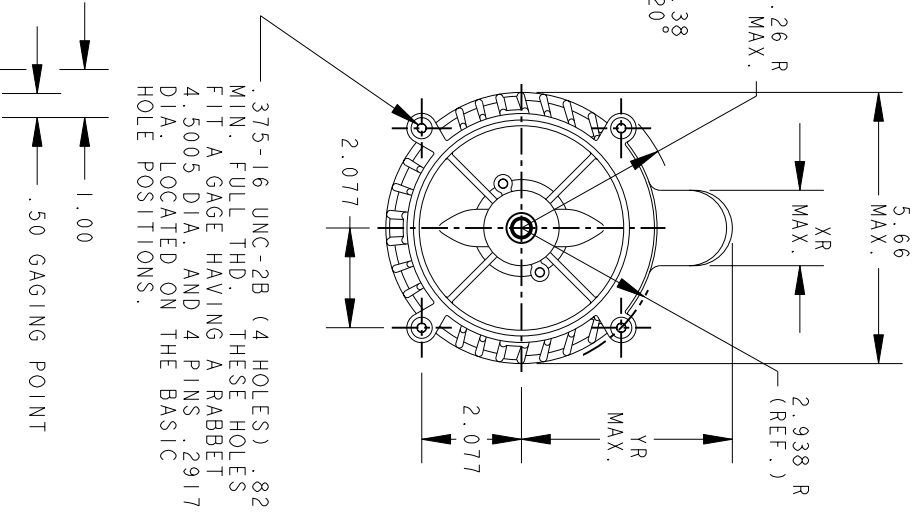
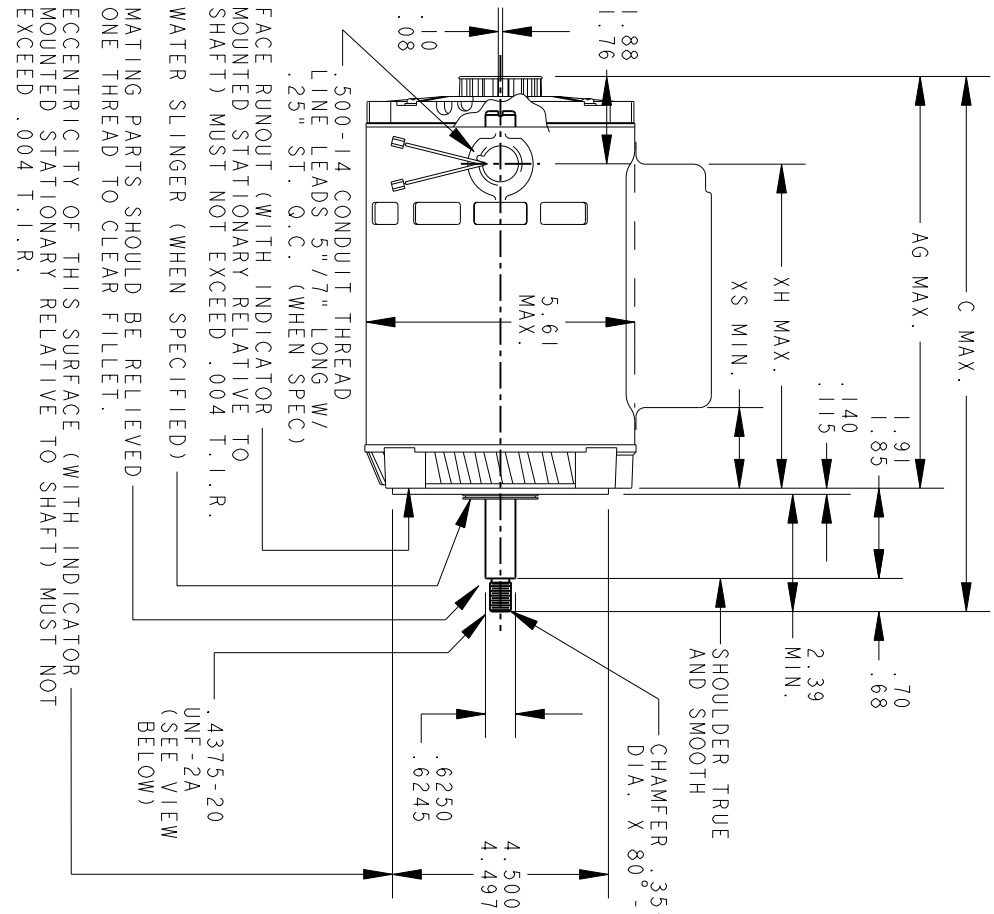
This is an uncontrolled document once printed or downloaded and is subject to change without notice. Date Created: 04/05/2018

THIRD ANGLE PROJECTION



REVISIONS

REV.	DESCRIPTION	DATE	APPROVED
9	REDRAWN BY 2M SOFTWARE CO	02/05/95	CCP
10	FORMAT CHG PER ISAAC 05-1777	01/06/06	RAJKUMAR



8	7	6	5	4	3	2	1	P
KC	KC	KC	KC	KC	KC	KC	KC	TYPE
37	39	39	38	37	36	38	39	GE
56J	56J	56J	56J	56J	56J	56J	56J	SIZE
11.35	13.10	12.35	11.82	11.22	10.82	11.82	12.35	NEMA
8.76	10.49	9.74	9.21	8.61	8.21	9.21	9.74	FR
1.39	3.27	2.52	1.99	1.39	1.39	1.99	2.19	C
7.03	8.91	8.16	7.63	7.03	6.63	7.63	7.83	AG
2.72	1.60	1.60	1.60	1.60	1.60	2.22	2.22	XS
5.44	4.34	4.34	4.34	4.34	4.34	4.96	4.96	XH
8.50	7.75	7.75	7.75	7.75	7.75	7.75	7.75	XR
								YR
								SHELL REF.



REGAL-BELOTT CORPORATION

OUTLINE

FORM N - PUMP MOTOR - DRIP PROOF - R2 END MOUNTED SLEEVE & BALL BEARING - FMF5KC37MN135T

SIGNATURES		DATE
MODEL	B.A.C	04/24/78
DETAIL		
CHECKED		
ENGRG		
MFG		
APPLIED PRACTICES	QUALITY	
DIMENSIONS ARE IN INCHES	ISSUED	C.C.P 02/05/95
MATERIAL	SOLID MODEL: 52A102690	

SIZE	DRAWING	SCALE	REF. No.	SHEET
A	A	0.250		1 of 1

52A102690 10

