

PRODUCT INFORMATION PACKET

Model No: 5K38SN267S
Catalog No: K1404
3/4, 1140, OPEN, 48Z, 3/60/208-230/460
Condenser Fans



Regal and Marathon are trademarks of Regal Beloit Corporation or one of its affiliated companies.
©2018 Regal Beloit Corporation, All Rights Reserved. MC017097E





Nameplate Specifications

Output HP	0.75 Hp	Output KW	0.56 kW
Frequency	60 Hz	Voltage	200-230/460 V
Current	3.3-3.8,1.9 A	Speed	1140 rpm
Service Factor	1	Phase	3
Efficiency	71.3 %	Duty	CONT
Insulation Class	B	Design Code	B
KVA Code	J	Frame	48Z
Enclosure	OPEN	Overload Protector	AUTO
Ambient Temperature	65 °C	Drive End Bearing Size	6203
Opp Drive End Bearing Size	6203	UL	Recognized
CSA	Yes	CE	N
IP Code	10		

Technical Specifications

Electrical Type	Three Phase	Starting Method	N/R
Poles	6	Rotation	CCW/CW
Mounting	RD	Motor Orientation	ANY
Drive End Bearing	BALL	Opp Drive End Bearing	BALL
Frame Material	Rolled Steel	Overall Length	14.25 in
Frame Length	7.22 in	Shaft Diameter	0.63 in
Shaft Extension	5.22 in	Thru-bolts Extension	0
Outline Drawing	52B209412P1	Connection Diagram	113A423

This is an uncontrolled document once printed or downloaded and is subject to change without notice. Date Created: 04/05/2018



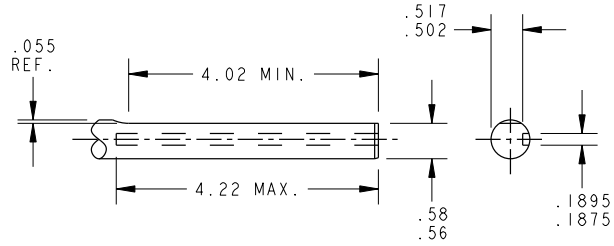
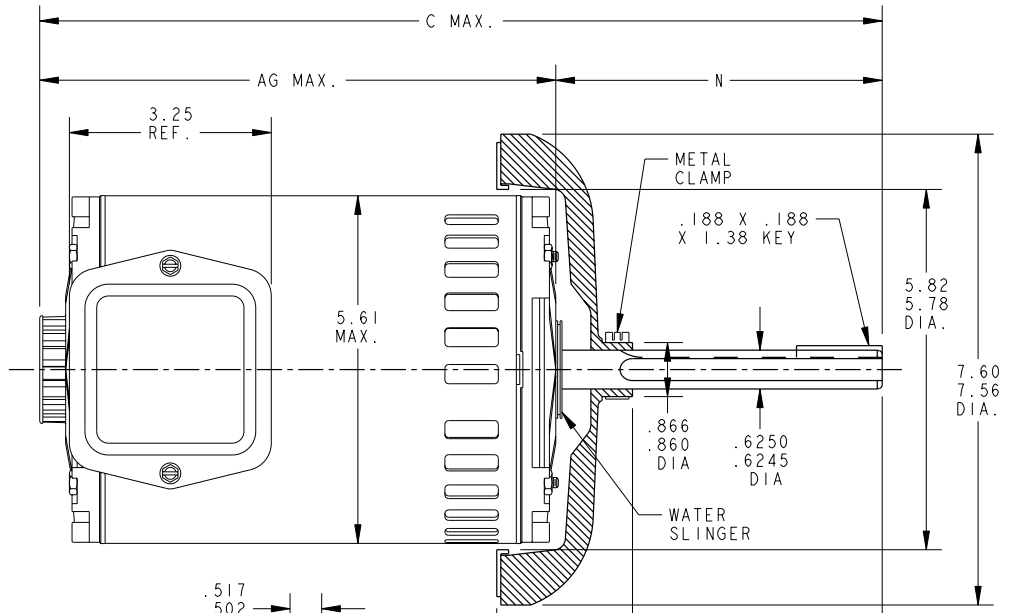
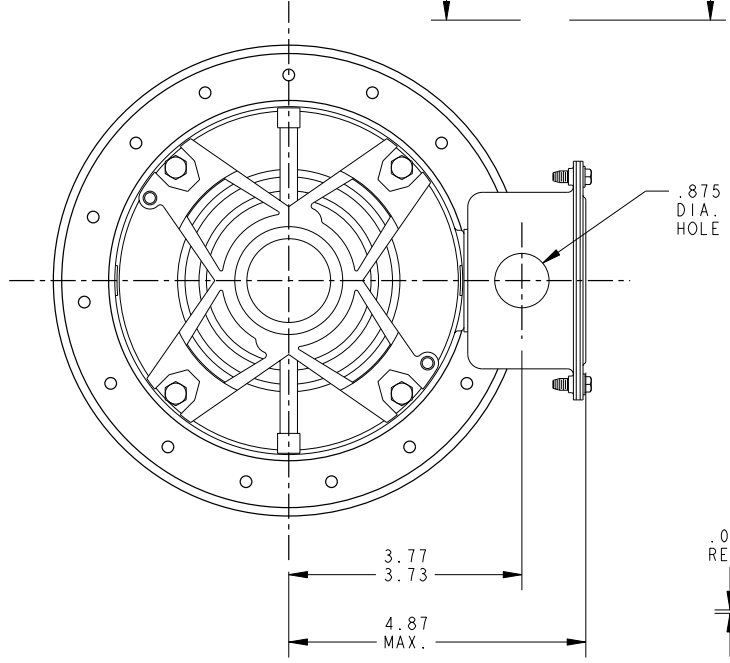
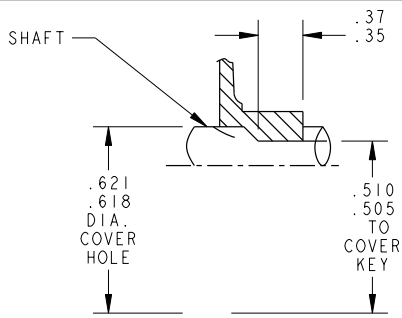
SIZE
B

DRAWING NO.
52B209412

REV
7

SHEET
1

REVISIONS			
REV.	DESCRIPTION	DATE	APPROVED
5	REDRAWN BY 2M SOFTWARE CO.	03/22/95	CCP
6	CHANGED C DIM FROM 14.80 TO 14.25 AS PER ISO4-3240	12/20/04	VAISHAKHI
7	CHG TO RBC FORMAT PER ISO5-1777	05/04/06	ARCHANA



I	K	KCP	38	48Z	14.80	5.32 5.26	8.95	4.04 4.00	
P	TYPE	GE SIZE	NEMA FR	C	N	AG	V	SHELL LGTH.	

FOR ADDITIONAL INFO REFER TO:
APPLIED PRACTICES
DIMENSIONS ARE IN INCHES
MATERIAL

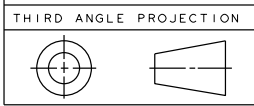
SIGNATURES	DATE
D.E.M.	02/29/88
DETAIL	
CHECKED	
ENGRG	
MFG	
QUALITY	
ISSUED	C.C.P. 03/22/95
SOLID MODEL: 52B209412	

REGAL-BELOIT CORPORATION

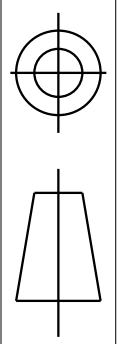
TITLE: **OUTLINE**
FORM N - SPECIAL PURPOSE MOTOR OPEN -
BALL BEARING FMF - 5KCP375N267AS

SIZE DRAWING: **B** **52B209412** **7**

SCALE: 0.500 REF. No.: SHEET 1 of 1



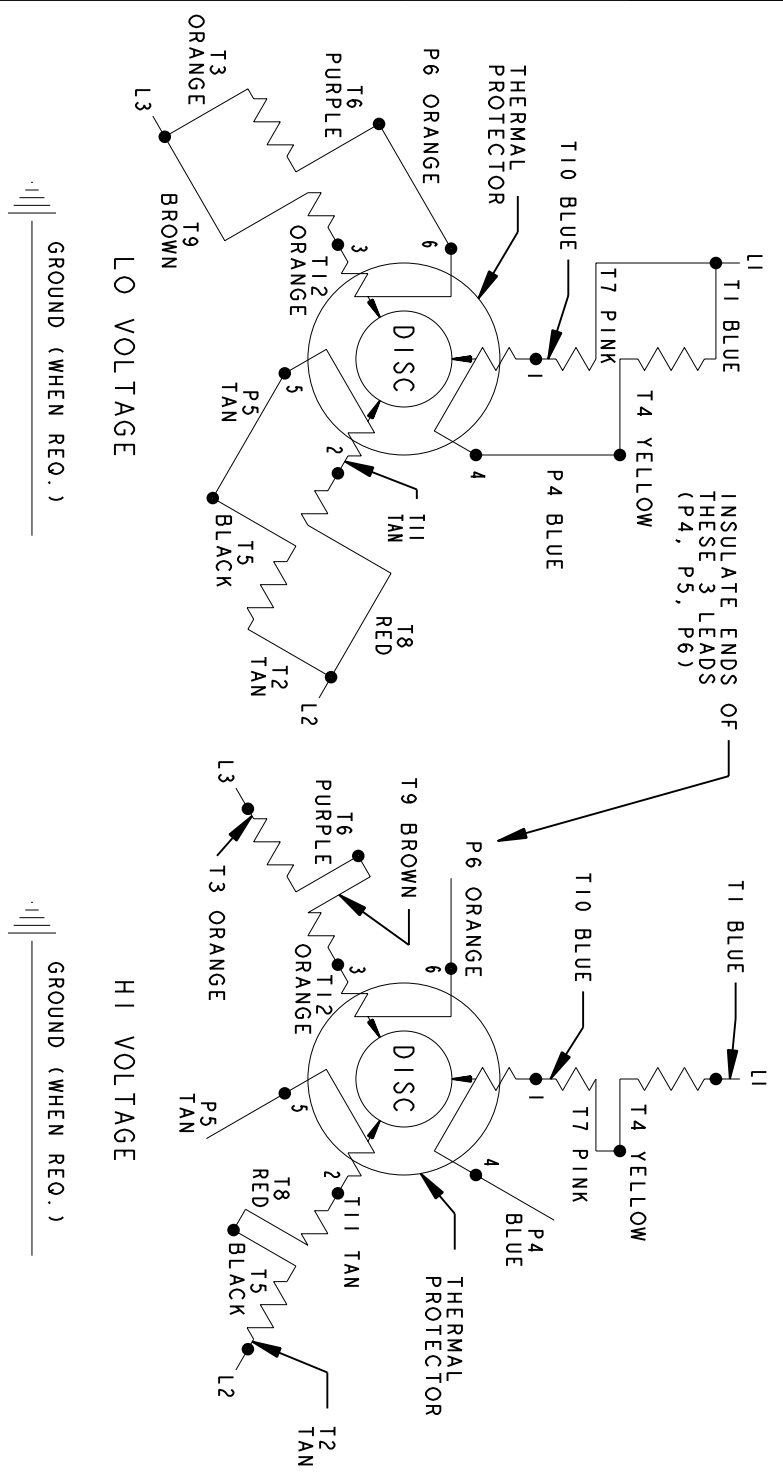
REV.	DESCRIPTION	DATE	APPROVED
7	LO VOLTAGE: "T8 RED" WAS "T3 RED"	09/25/92	BLJ
8	LABEL WAS 185178	04/04/95	M.A.M.
9	CHG TO RBC FORMAT PER IS05-1777	06/13/06	SUDHA



This document is the property of REGAL-BELOIT CORPORATION ("RBC") including its subsidiaries and divisions and contains proprietary information of RBC. This document is loaned on the express condition that neither the recipient nor any other person shall be permitted to disclose or disseminate the information contained herein without the prior written consent of RBC. This document shall be returned to RBC upon its request. This document may be subject to certain restrictions under U.S. export control laws and regulations.

113A423 9

TYPE K - DUAL VOLTAGE - THREE PHASE -
I2 LEAD WDG. - I2 LEADS OUT - THERMAL PROTECTION



NOTE #1 - TO REVERSE ROTATION, INTERCHANGE THE EXTERNAL CONNECTIONS TO ANY TWO LINE LEADS.

LABEL - NP185178AA

FOR ADDITIONAL INFO REFER TO:

APPLIED PRACTICES	SIGNATURES	DATE
DIMENSIONS ARE IN INCHES	G.A.HILLSMIER	01/05/56
TOLERANCE ON: 1 PL DECIMALS ± 0.1 2 PL DECIMALS ± 0.02 3 PL DECIMALS ± 0.005		
ANGLES ± 1.0		
FRACTIONS ±		
FINISH		
ISSUED	B.L.J.	05/12/92

REGAL-BELOIT CORPORATION

DIAGRAM - CONNECTION

TYPE K MOTORS

MODEL	G.A.HILLSMIER	01/05/56
DETAIL		
CHECKED		
ENGRG		
MFG		
QUALITY		
SOLID MODEL: 113A423		

SCALE: 1.000 REF. No. .

SIZE: DRAWING A

113A423 9

SHEET 1 of 1