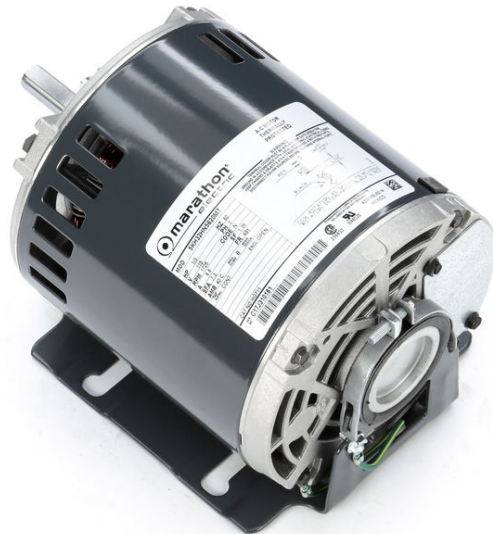


PRODUCT INFORMATION PACKET

Model No: 5KH32HN5620T
Catalog No: HG711
1/3,1725,OPEN,48Y,1/60/115
Fan and Blower



Regal and Marathon are trademarks of Regal Beloit Corporation or one of its affiliated companies.
©2018 Regal Beloit Corporation, All Rights Reserved. MC017097E





Nameplate Specifications

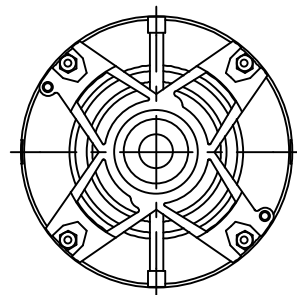
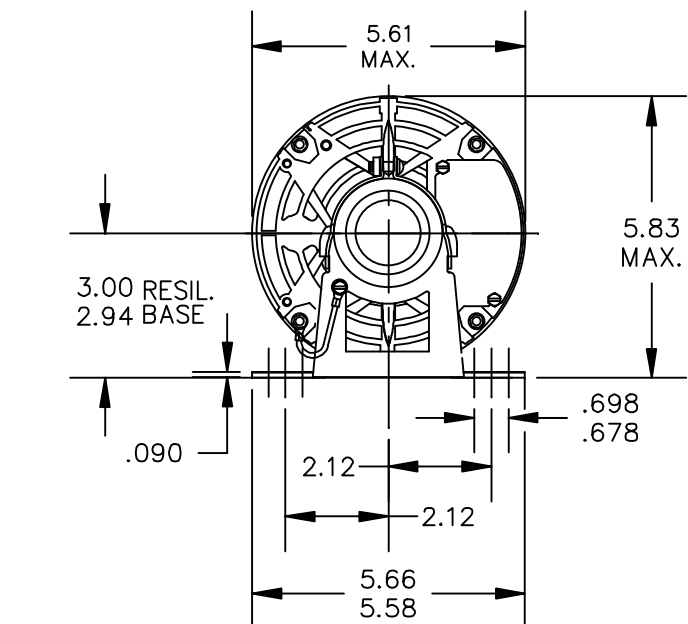
Output HP	0.33 Hp	Output KW	0.25 kW
Frequency	60 Hz	Voltage	115 V
Current	6.6 A	Speed	1725 rpm
Service Factor	1.35	Phase	1
Efficiency	54.5 %	Duty	CONT
Insulation Class	B	KVA Code	N
Frame	48Y	Enclosure	OPEN
Overload Protector	AUTO	Ambient Temperature	40 °C
Drive End Bearing Size	6203	Opp Drive End Bearing Size	6203
UL	Recognized	CSA	Yes
CE	N		

Technical Specifications

Electrical Type	Split Phase	Starting Method	SM
Poles	4	Rotation	CW/CCW
Mounting	RB	Motor Orientation	ANY
Drive End Bearing	BALL	Opp Drive End Bearing	BALL
Frame Material	Rolled Steel	Overall Length	8.94 in
Frame Length	5.16 in	Shaft Diameter	0.5 in
Shaft Extension	1.5 in	Thru-bolts Extension	0
Outline Drawing	52A111771P2	Connection Diagram	52A105379AA

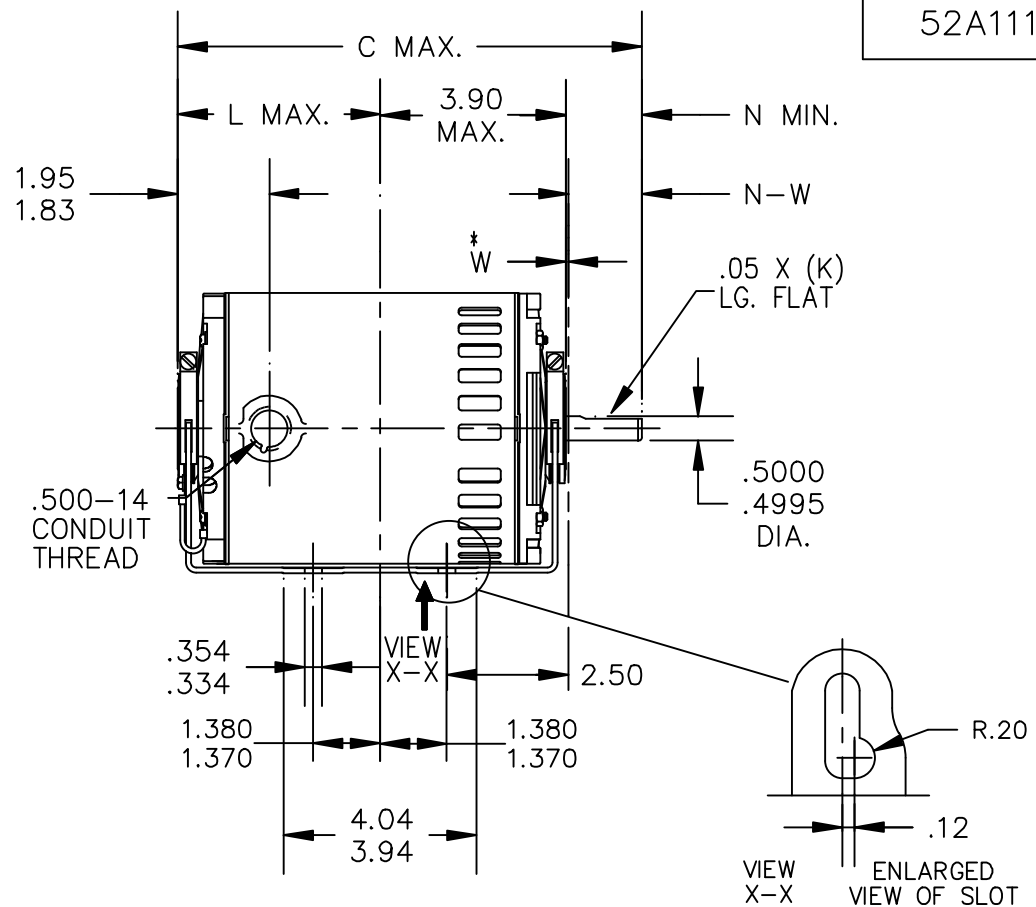
This is an uncontrolled document once printed or downloaded and is subject to change without notice. Date Created: 04/05/2018

52A111771



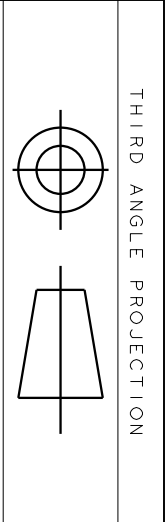
VIEW SHOWING P.E. VENTILATION OPENINGS

W* IS A CLEARANCE DUE TO VARIATION IN PARTS AND ASSEMBLY.



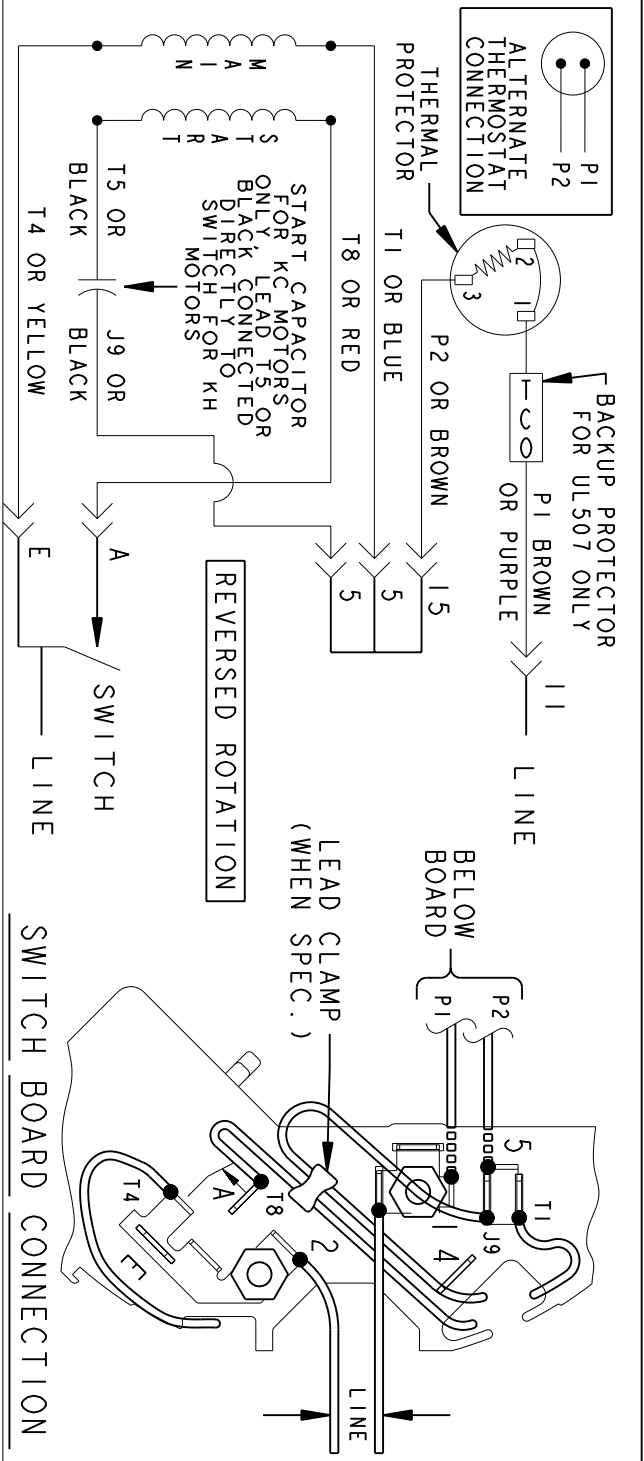
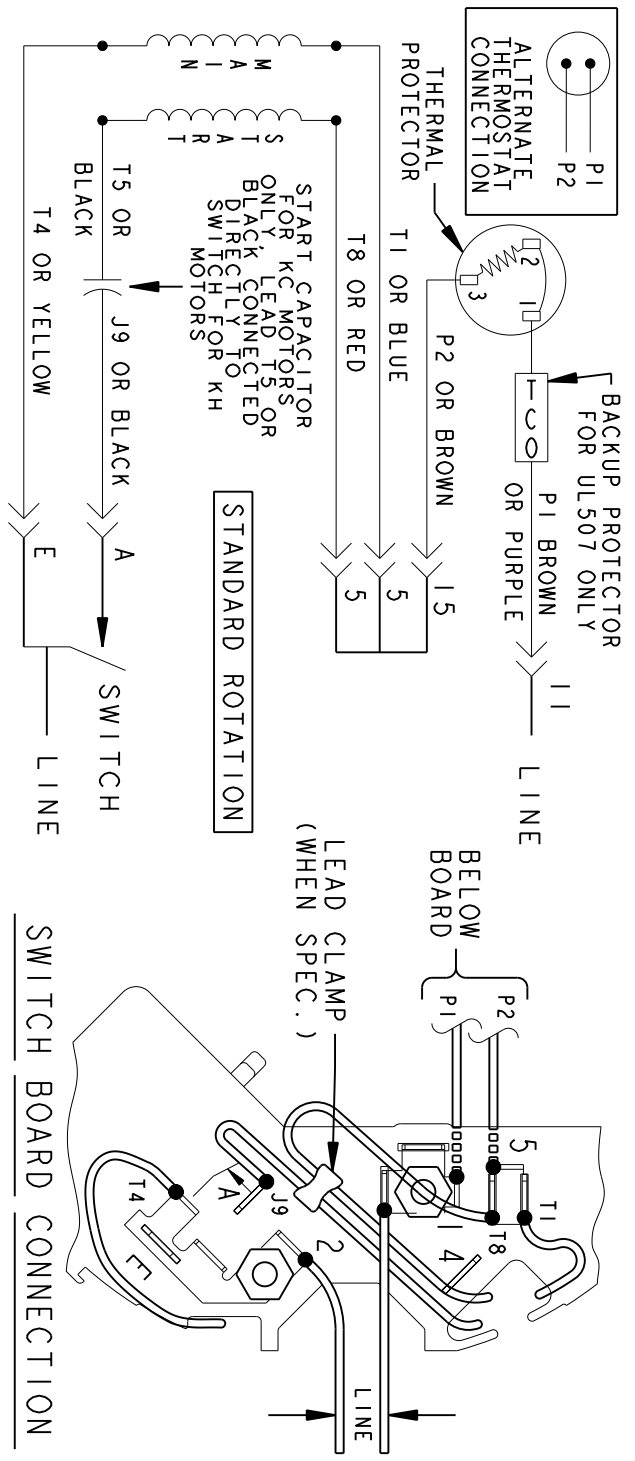
4	K	KH	32	48Y	8.94	1.25	3.59	1.50	1.63/1.41
3	K	KH	33	48Y	9.19	1.16	3.84	1.50	1.63/1.41
2	K	KH	32	48Y	8.94	1.16	3.59	1.50	1.63/1.41
1	K	KH	35	48Y	9.57	1.16	4.22	1.50	1.63/1.41
P	TYPE	RBC SIZE	NEMA FR	C	K	L	N	N-W	

NO.	REVISION	BY & DATE	CHK	TOLERANCES UNLESS SPECIFIED		TITLE	DRAWN DS 02/26/07			
				DEC.	INCHES					
3	CHG GD LD 4:30 TO 7:30 PER IS11-0510 & REDRAWN IN DRAFT SIGHT	UD 9/24/12	PKG	.X	±0.1	REGAL-BELOIT CORPORATION REGAL-BELOIT OUTLINE DRIP PROOF RESIL. BASE	CHK			
2	ADDED P4 PER IS10 - 2231	PN 9/16/10		.XX	±0.02		APPD DS 02/26/07			
1	GROUND LEAD ADDED PER IS07-0531	BM 10/26/07		.XXX	±0.005		SCALE 1=1			
				.XXXX	±0.0005	MAT'L.	REF			
				ANG	±1.0	FINISH	FMF			
THIS DRAWING IN DESIGN AND DETAIL IS OUR PROPERTY AND MUST NOT BE USED EXCEPT IN CONNECTION WITH OUR WORK ALL RIGHTS OF DESIGN AND INVENTION ARE RESERVED THIS IS AN ELECTRONICALLY GENERATED DOCUMENT - DO NOT SCALE THIS PRINT						RFP	CAD FILE 52A111771	SIZE A	DRAWING NO. 52A111771	REV. 3
						DIST				



REV.	DESCRIPTION	DATE	APPROVED
6	UPDATED FORMAT	12/01/05	MAM

EITHER ROTATION-SINGLE VOLTAGE-TYPE KC OR KH-WITH THERMAL PROTECTOR



NOTE #1 - TO REVERSE ROTATION INTERCHANGE RED (T8) AND BLACK (J9-KC OR T5-KH) LEADS.
 NOTE #2 - WHEN MORE THAN ONE CAPACITOR IS USED CONNECT IN PARALLEL.

SWITCH (C) - 115D958AB REF. DIAG. - 121A851 CONN. LABEL - 52X332048

SIGNATURES	DATE
MODEL M.D. PAPE	06/29/87
DETAIL	
CHECKED	
ENGRG	
MFG	
QUALITY	
ISSUED	M.D.P. 03/08/00
SOLID MODEL: 52A105379AA	

REGAL-BELOIT CORPORATION

REGAL-BELOIT

CONNECTION DIAGRAM

FMF - 30 FR SWITCH REDESIGN

SCALE: 1.000 REF. No.:

52A105379AA

REV 6

SHEET 1 of 1