

PRODUCT INFORMATION PACKET

Model No: 5K49WN4335X
Catalog No: K1497
3,1725,OPEN,56HZ,3/60/208-230/460
Fan and Blower



Regal and Marathon are trademarks of Regal Beloit Corporation or one of its affiliated companies.
©2018 Regal Beloit Corporation, All Rights Reserved. MC017097E





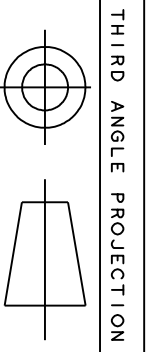
Nameplate Specifications

Output HP	3 Hp	Output KW	2.24 kW
Frequency	60 Hz	Voltage	208-230/460 V
Current	9.2-9.6,4.8 A	Speed	1725 rpm
Service Factor	1.15	Phase	3
Efficiency	83.6 %	Duty	CONT
Insulation Class	B	KVA Code	L
Frame	56HZ	Enclosure	OPEN
Overload Protector	AUTO	Ambient Temperature	40 °C
Drive End Bearing Size	6205	Opp Drive End Bearing Size	6203
UL	Recognized	CSA	Yes
CE	N		

Technical Specifications

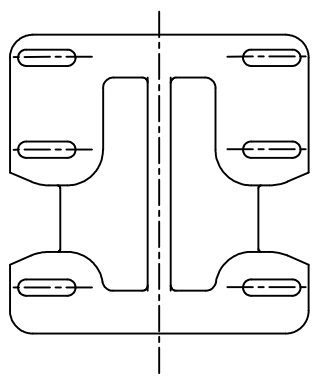
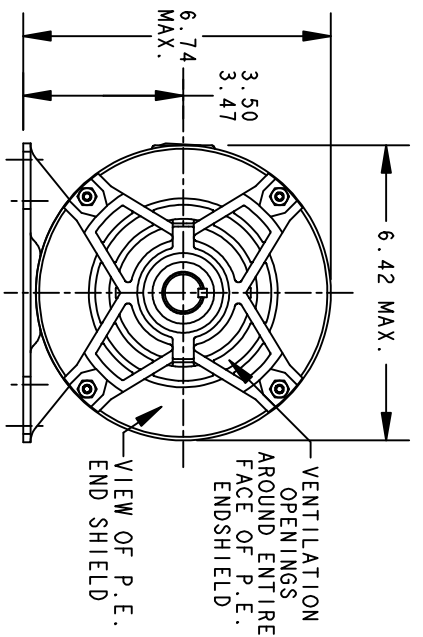
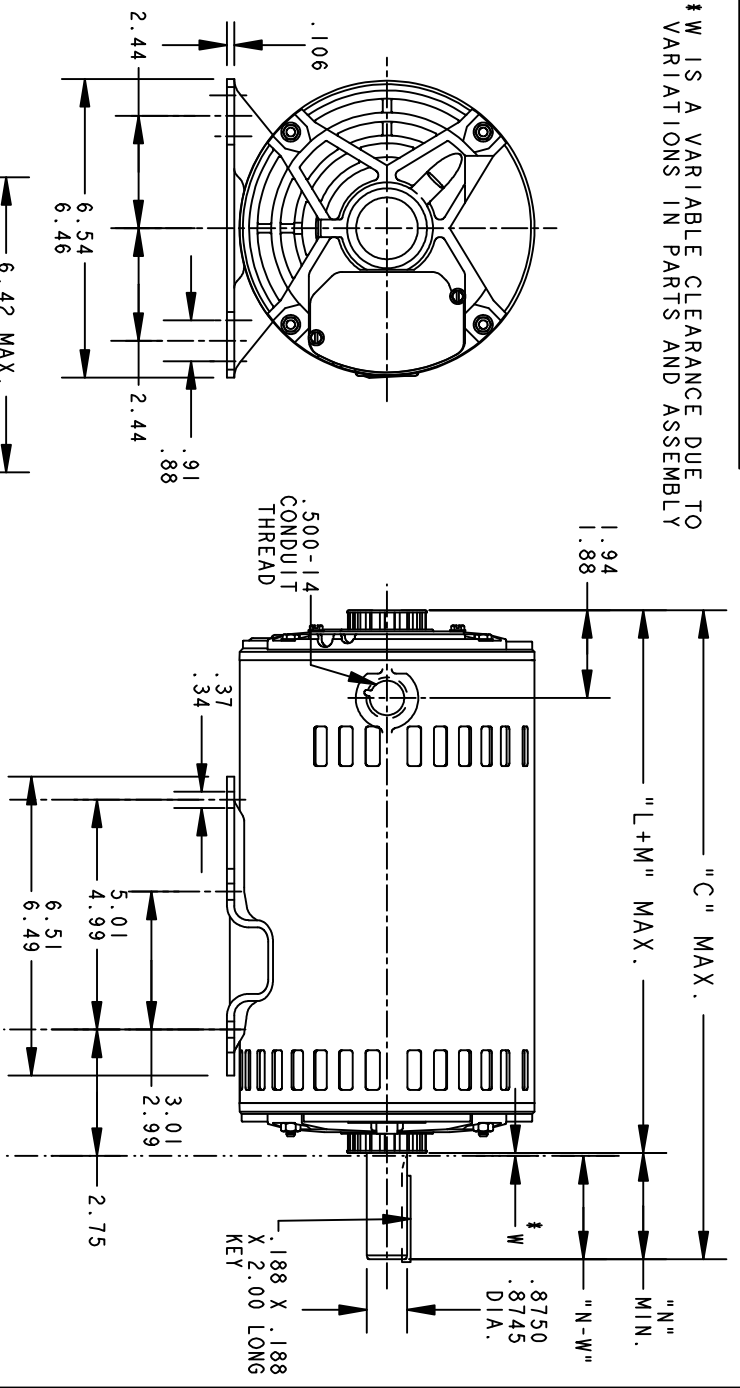
Electrical Type	Three Phase	Starting Method	N/R
Poles	4	Rotation	CCW/CW
Mounting	WB	Motor Orientation	VSU
Drive End Bearing	BALL	Opp Drive End Bearing	BALL
Frame Material	Rolled Steel	Overall Length	15.31 in
Frame Length	10.71 in	Shaft Diameter	0.88 in
Shaft Extension	2.25 in	Thru-bolts Extension	0
Outline Drawing	52A111879P1	Connection Diagram	52A110547

This is an uncontrolled document once printed or downloaded and is subject to change without notice. Date Created: 04/05/2018



REVISIONS		DATE	APPROVED
REV.	DESCRIPTION		
0	CREATED PER IS 10-4469	10/26/10	PRAVEEN. I

* W IS A VARIABLE CLEARANCE DUE TO VARIATIONS IN PARTS AND ASSEMBLY



ALL DIMENSIONS ARE IN INCHES

I	P	RBC SIZE	NEMA FR.	"C"	"L+M"	"N"	"N-W"	MIN. SHELL
K	49	56HZ	15.31	13.04	2.25	2.39/2.17		10.71

MODEL	DETAIL	CHECKED	ENGRG	MFG	QUALITY	ISSUED	SIGNATURES	DATE
	PRAVEEN. I							10/26/10

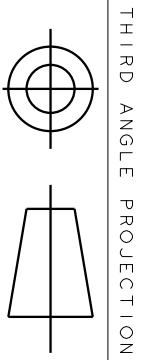
REGAL-BELOIT CORPORATION

OUTLINE

GENERAL PURPOSE MOTOR OPEN - BALL BEARING - WELDED BASE FWF - 40 FRAME REDESIGN

APPLIED PRACTICES	FOR ADDITIONAL INFO REFER TO:	ISSUED	DURGA	10/26/10

SIZE	DRAWING	SCALE	REF. No.	SHEET	OF
A		0.250		52A111879	0

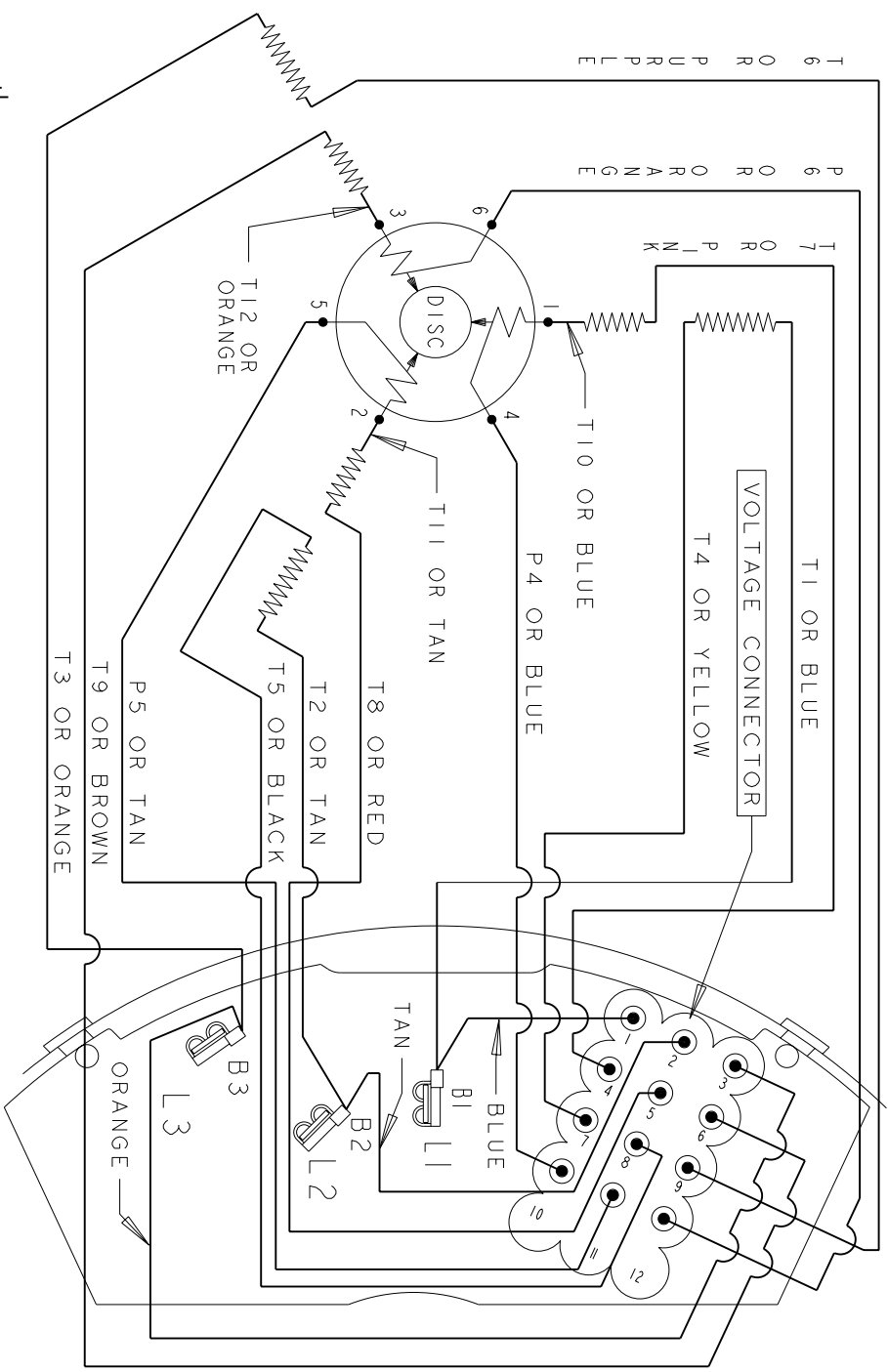


THIRD ANGLE PROJECTION

REVISIONS

REV.	DESCRIPTION	DATE	APPROVED
2	UPDATED TO RBC FORMAT	01/17/06	MAM

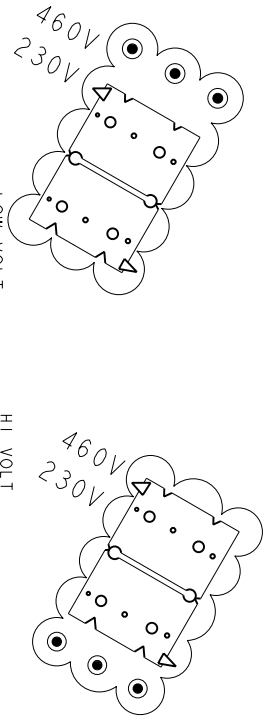
TYPE K - DUAL VOLTAGE - THREE PHASE THERMAL PROTECTION - VOLTAGE CONNECTION DEVICE



GROUND (WHEN REQ'D.)

NOTE #1 - TO REVERSE ROTATION, INTERCHANGE ANY TWO LINE CONNECTIONS TO L1, L2, OR L3.

BOTTOM VIEW OF TERMINAL BOARD



TOP VIEW VOLTAGE CONNECTOR

CONNECTIONS MADE BY PLUG

LOW = 1 TO 4, 7 TO 10, 2 TO 5, 8 TO 11, 3 TO 6, 8 9 TO 12

HIGH = 4 TO 7, 5 TO 8, 8 6 TO 9

CONNECTION LABEL - 52X333311

SIGNATURES	DATE
MODEL N. MANGESH	12/12/01
DETAIL	
CHECKED TAYLEN L.	12/15/01
ENGRG	
MFG	
QUALITY	
ISSUED TAYLEN L.	12/15/01
MATERIAL	SOLID MODEL: 52A110547



REGAL-BELOIT CORPORATION

CONNECTION DIAGRAM

FME: TYPE K - VOLTAGE CHANGE DEVICE - DUAL VOLTAGE

SIZE DRAWING A

SCALE: 1.000 REF. No.:

52A110547

REVISION 2

SHEET 1 of 1