

PRODUCT INFORMATION PACKET

Model No: 056C34D2098
Catalog No: O212
1/2,3600,DP,56C,1/60/115/208-230
Single Phase



Regal and Marathon are trademarks of Regal Beloit Corporation or one of its affiliated companies.

©2018 Regal Beloit Corporation, All Rights Reserved. MC017097E





Nameplate Specifications

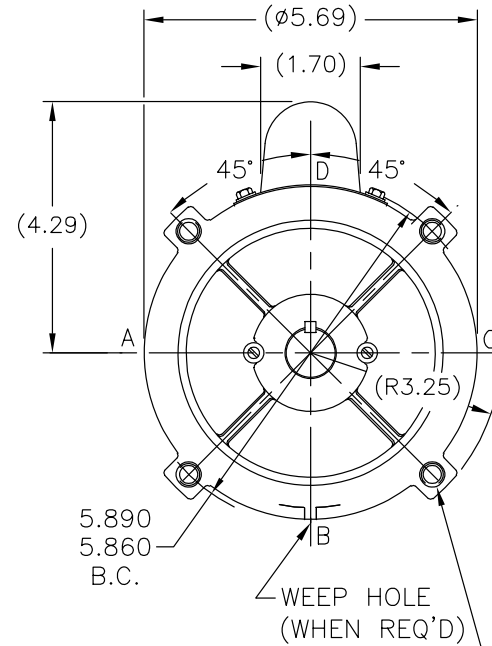
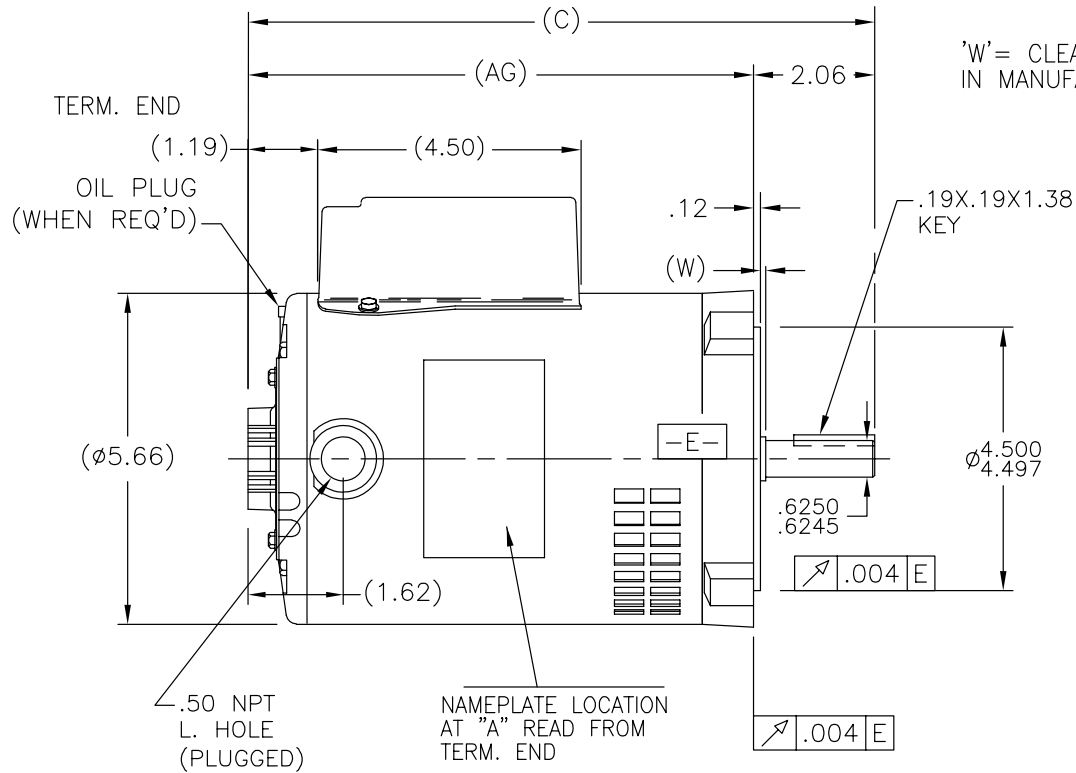
Output HP	0.5 Hp	Output KW	0.37 kW
Frequency	60 Hz	Voltage	115/208-230 V
Current	7.4/3.5-3.7 A	Speed	3450 rpm
Service Factor	1.6	Phase	1
Efficiency	62 %	Duty	CONTINUOUS
Insulation Class	B	Design Code	NO DESIGN CODE
KVA Code	L	Frame	56C
Enclosure	DP	Overload Protector	AUTOMATIC
Ambient Temperature	40 °C	Drive End Bearing Size	6203
Opp Drive End Bearing Size	6203	UL	Recognized
CSA	Y	CE	Y
IP Code	22		

Technical Specifications

Electrical Type	CAP START IND RUN	Starting Method	ACROSS THE LINE
Poles	2	Rotation	SELECTIVE CCW
Mounting	ROUND	Motor Orientation	HORIZONTAL
Drive End Bearing	BALL	Opp Drive End Bearing	BALL
Frame Material	ROLLED STEEL	Shaft Type	T
Overall Length	10.69 in	Frame Length	6.75 in
Shaft Diameter	0.63 in	Shaft Extension	2.06 in
Assembly/Box Mounting	F1 ONLY		
Outline Drawing	A-SS75606-675	Connection Diagram	A-EE9002M

This is an uncontrolled document once printed or downloaded and is subject to change without notice. Date Created: 04/06/2018

SS75606

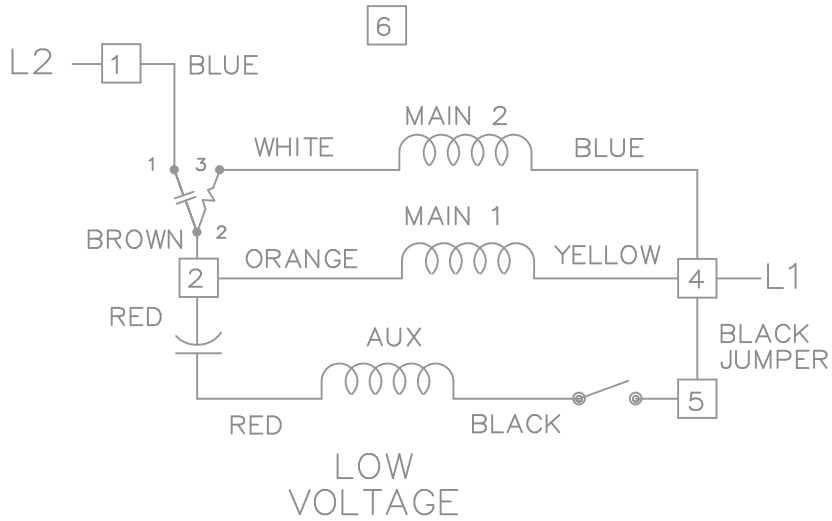


3/8-16 UNC-2B
.56 MIN. FULL THD.
4 HOLES

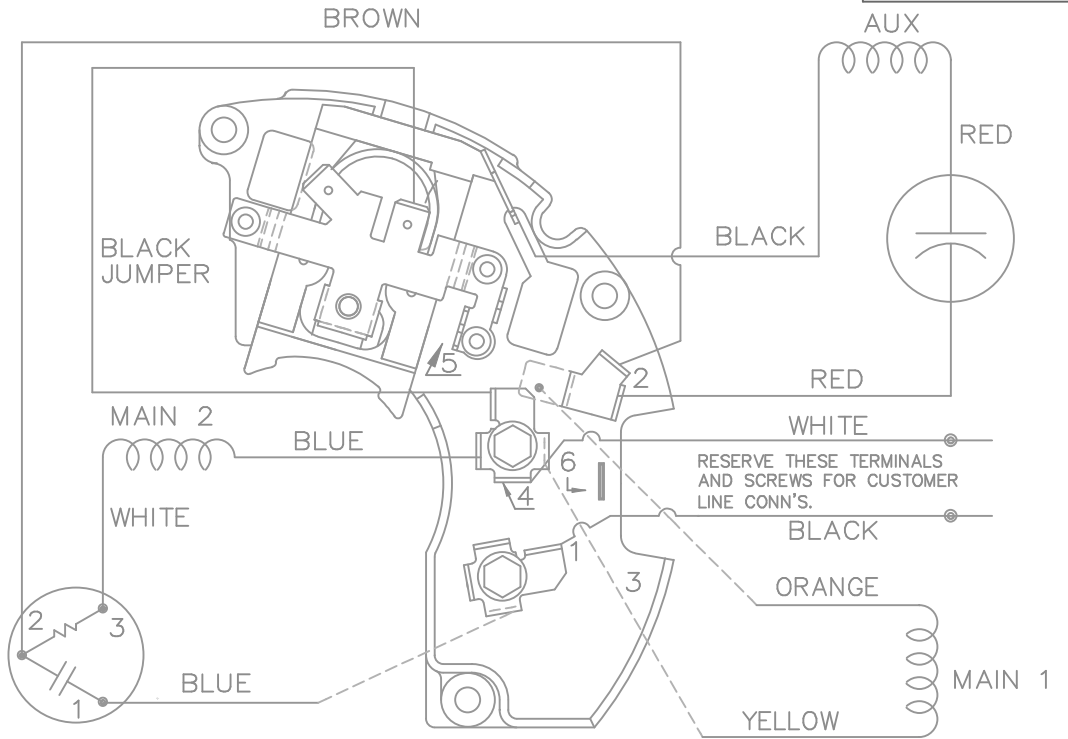
DASH	FR	C	AG	DASH	FR	C	AG	DASH	FR	C	AG
625	56	10.19	8.12	700	56	10.94	8.88	800	56	11.94	9.88
650	56	10.44	8.37	725	56	11.19	9.13				
675	56	10.69	8.63	775	56	11.69	9.63				

NO.	REVISION	BY & DATE	CHK	ANG	TOLERANCES UNLESS SPECIFIED	FINISH	PREV
6	UPDATED FRAME TO 56	PST 1/8/15	PI				DRAWN RM 10-09-1992
5	UPDATED DRAWING	TJW 04/20/2007	MJS	DEC.	INCHES		CHK MOL 10-09-1992
4	ADDED NOTE TO WEEP HOLE (WHEN REQ'D)	BJK 08-20-2002		.X	±.1		APPD JAY 10-12-1992
	MU43025/43027			.XX	±.03	TITLE OUTLINE	SCALE 3=8
3	ADDED NEW FRONT BRACKET	CN 20124RJM 04-04-1995		.XXX	±.005		REF
2	ADD NOTE: OIL PLUG WHEN REQ'D	4009035DD 04-12-1993		.XXXX	±.0005	MAT'L.	FMF
					±.7'30"		
			RFP		CAD FILE ss75606	SIZE A	DRAWING NO. SS75606
			DIST	WP			PAGE 3 OF 8
							REV. 6

THIS DRAWING IN DESIGN AND DETAIL IS OUR PROPERTY AND MUST NOT BE USED EXCEPT IN CONNECTION WITH OUR WORK ALL RIGHTS OF DESIGN AND INVENTION ARE RESERVED THIS IS AN ELECTRONICALLY GENERATED DOCUMENT - DO NOT SCALE THIS PRINT

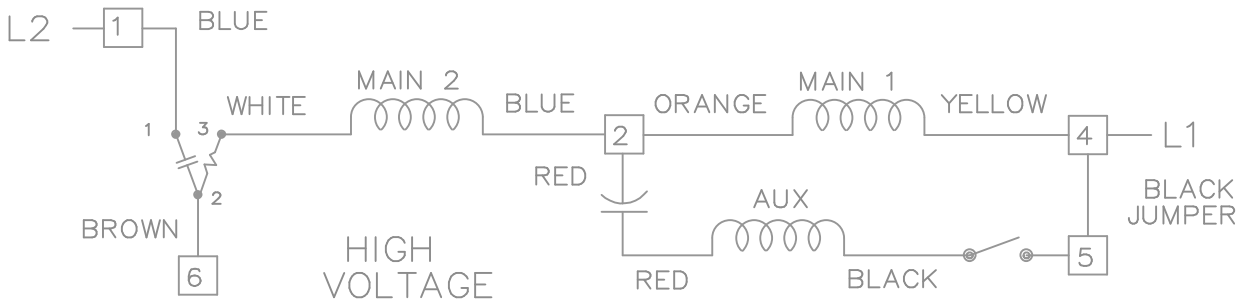


DUAL VOLTAGE CAPACITOR START REVERSIBLE ON TERM BOARD WITH OVERLOAD PROTECTION



VIEWING TERM END

LOW VOLTAGE CCW ROTATION SHOWN.



FOR HIGH VOLTAGE CONNECT BROWN TERM 2 TO TERM 6. CONNECT BLUE TERM 4 TO TERM 2.

TO REVERSE ROTATION EITHER VOLTAGE INTERCHANGE RED LEAD WITH BLACK LEAD.

				TOLERANCES UNLESS SPECIFIED		MARATHON ELECTRIC	DRAWN BW 02-22-1990					
				DEC.	INCHES		CHK	ML	02-22-1990			
				.X	± -	TITLE CONNECTION DIAGRAM 48 FR. DUAL VOLTAGE REVERSIBLE	APPD	GK	02-22-1990	SCALE	1=1	
3	ROUTING OF BLACK JUMPER	CN 35440	BJK 08-20-2002	.XX	± -		MAT'L.	REF				
2	REVISED BLACK LINE LOCATION	CN 6427	RM 01-28-1991	.XXX	± -		FINISH	FMF				
1	NEW DRAWING		BW 02-22-1990	.XXXX	± -		PREV					
NO.	REVISION		BY & DATE	CHK	ANG	± -						
THIS DRAWING IN DESIGN AND DETAIL IS OUR PROPERTY AND MUST NOT BE USED EXCEPT IN CONNECTION WITH OUR WORK ALL RIGHTS OF DESIGN AND INVENTION ARE RESERVED THIS IS AN ELECTRONICALLY GENERATED DOCUMENT - DO NOT SCALE THIS PRINT				RFP	CAD FILE EE9002M			SIZE	DRAWING NO.	PAGE	OF	REV.
				DIST	WP		A	EE9002M				3

