

PRODUCT INFORMATION PACKET

Model No: 056C34D2105
Catalog No: O217
1,3600,DP,56C,1/60/115/208-230
Single Phase



Regal and Marathon are trademarks of Regal Beloit Corporation or one of its affiliated companies.
©2018 Regal Beloit Corporation, All Rights Reserved. MC017097E





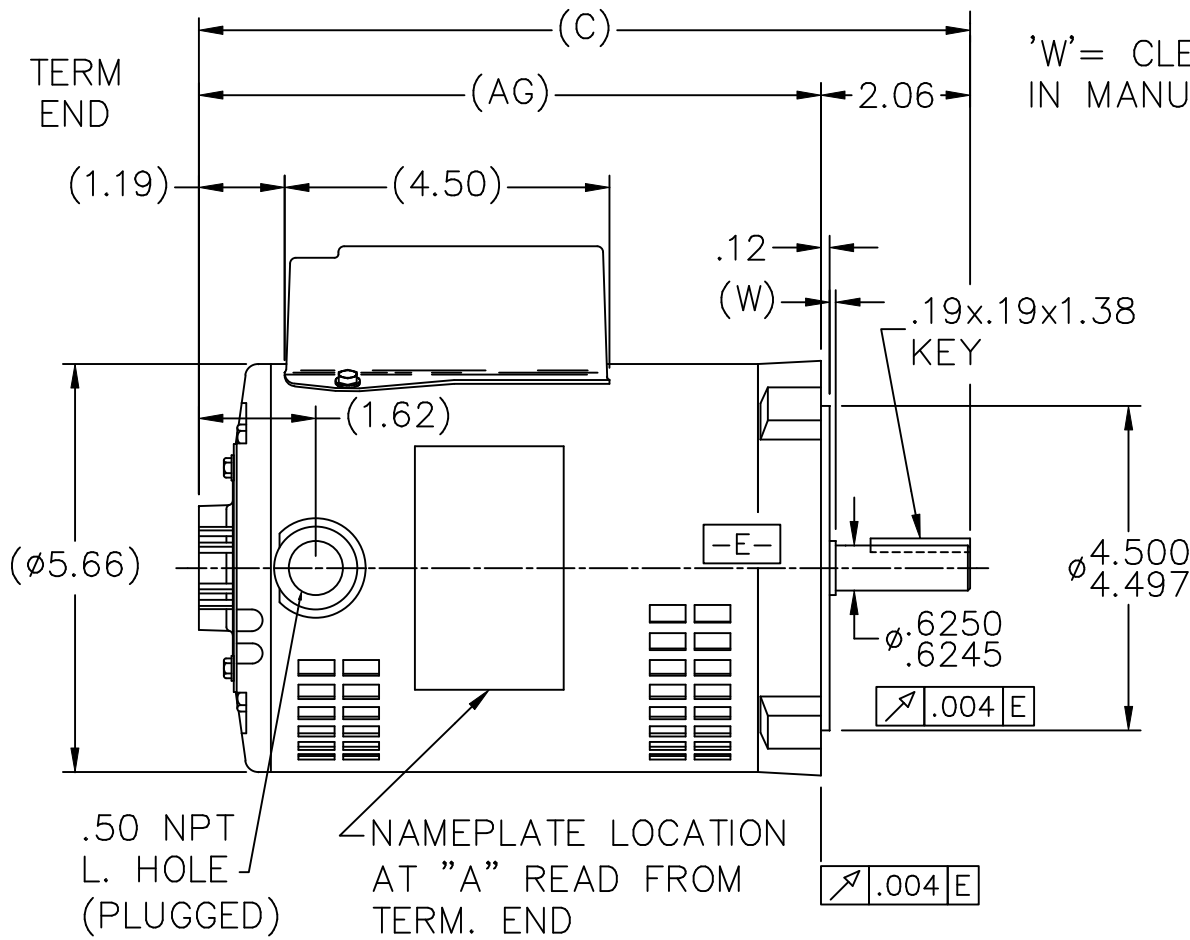
Nameplate Specifications

Output HP	1 Hp	Output KW	0.75 kW
Frequency	60 Hz	Voltage	115/208-230 V
Current	12/6.2-6 A	Speed	3450 rpm
Service Factor	1.4	Phase	1
Efficiency	71.5 %	Duty	CONTINUOUS
Insulation Class	B	Design Code	NO DESIGN CODE
KVA Code	K	Frame	56C
Enclosure	DP	Overload Protector	MANUAL
Ambient Temperature	40 °C	Drive End Bearing Size	6203
Opp Drive End Bearing Size	6203	UL	Recognized
CSA	Y	CE	Y
IP Code	22		

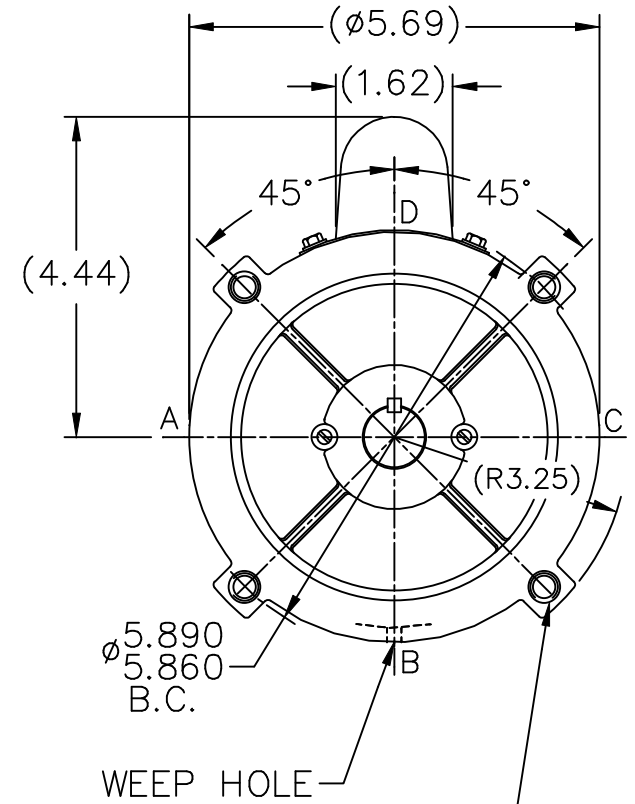
Technical Specifications

Electrical Type	CAP START IND RUN	Starting Method	ACROSS THE LINE
Poles	2	Rotation	SELECTIVE CCW
Mounting	ROUND	Motor Orientation	HORIZONTAL
Drive End Bearing	BALL	Opp Drive End Bearing	BALL
Frame Material	ROLLED STEEL	Shaft Type	T
Overall Length	11.94 in	Frame Length	8 in
Shaft Diameter	0.63 in	Shaft Extension	2.06 in
Assembly/Box Mounting	F1 ONLY		
Outline Drawing	A-SS75633-800	Connection Diagram	A-EE9002M

This is an uncontrolled document once printed or downloaded and is subject to change without notice. Date Created: 04/05/2018



'W' = CLEARANCE ALLOWED FOR ALL VARIANCES IN MANUFACTURING & ASSEMBLY



DASH	FR	C	AG		DASH	FR	C	AG	
625	48	10.19	8.12		725	48	11.19	9.13	
675	48	10.69	8.63		775	48	11.69	9.63	
700	48	10.94	8.88		800	48	11.94	9.88	

NO.	REVISION	BY & DATE	CHK	ANG	TOLERANCES UNLESS SPECIFIED	
					DEC.	INCHES
4	UPDATED DRAWING	TJW 04/20/2007		.X	$\pm .1$	
3	REDRAWN IN AUTOCAD	TAT 05-19-2005	ML	.XX	$\pm .03$	
2	ADDED NEW FRONT BRACKET CN 20124	RJM 04-04-1995		.XXX	$\pm .005$	
1	NEW DRAWING 3982118	RM 12-30-1992		.XXXX	$\pm .0005$	
					$\pm 7'30''$	

MARATHON ELECTRIC

TITLE OUTLINE

MAT'L.

FINISH

RFP

DIST WP

CAD FILE ss75633

SIZE A

DRAWN	RM 12-21-1992
CHK	MOL 12-21-1992
APPD	GK 12-21-1992
SCALE	3=8
REF	
FMF	
PREV	
DRAWING NO.	SS75633
PAGE	OF
REV.	4

```
ERROR: syntaxerror  
OFFENDING COMMAND: --nostringval--  
STACK :  
  /im  
-savelevel-
```