

PRODUCT INFORMATION PACKET

Model No: 324THFS9080
Catalog No: W563
25,1200,TEFC,324T,3/60/575
Severe Duty



Regal and Marathon are trademarks of Regal Beloit Corporation or one of its affiliated companies.
©2018 Regal Beloit Corporation, All Rights Reserved. MC017097E





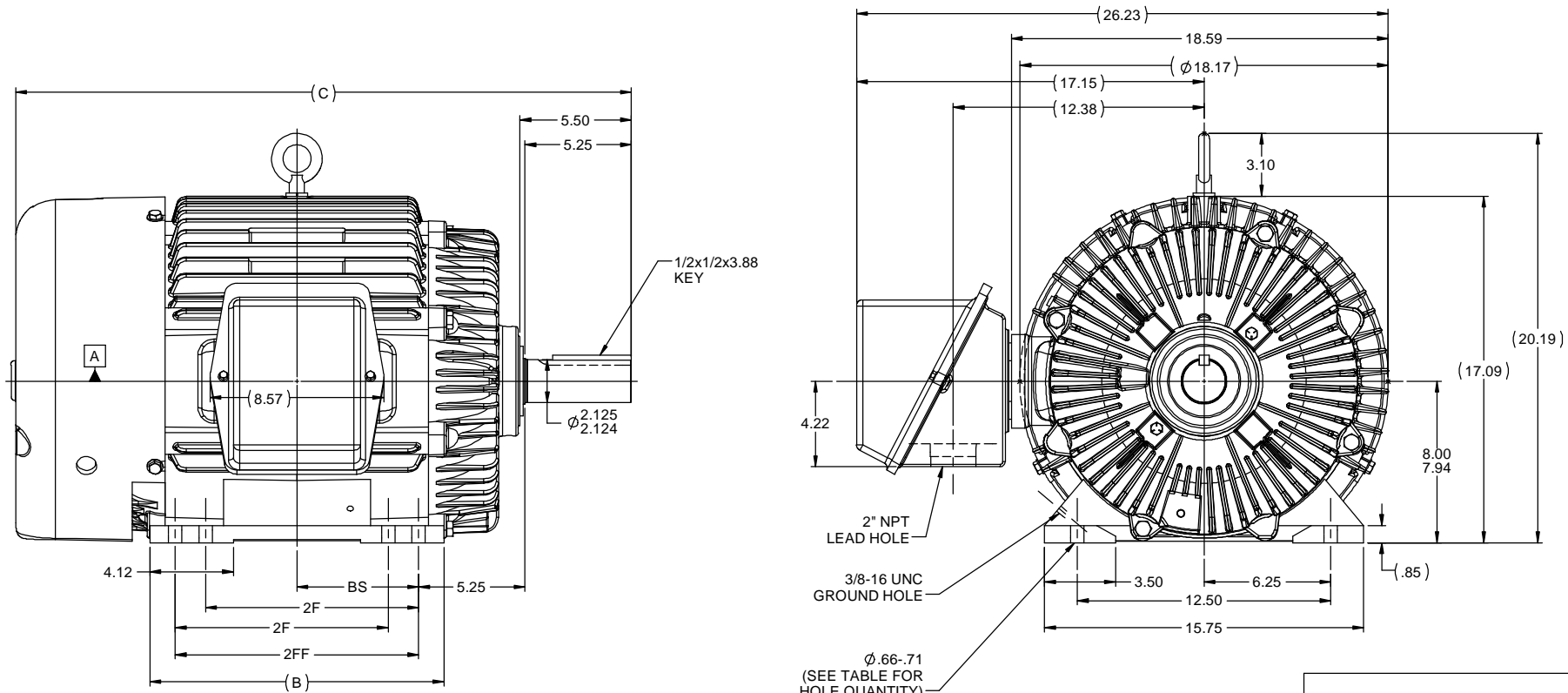
Nameplate Specifications

Output HP	25 Hp	Output KW	18.7 kW
Frequency	60 Hz	Voltage	575 V
Current	26 A	Speed	1182 rpm
Service Factor	1.15	Phase	3
Efficiency	93 %	Duty	CONTINUOUS
Insulation Class	F	Design Code	B
KVA Code	G	Frame	324T
Enclosure	TEFC	Overload Protector	NOT
Ambient Temperature	40 °C	Drive End Bearing Size	6312
Opp Drive End Bearing Size	6311	UL	Recognized
CSA	Y	CE	Y
IP Code	56		

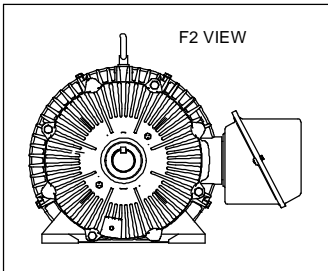
Technical Specifications

Electrical Type	SQ CAGE INV RATED	Starting Method	LINE OR INVERTER
Poles	6	Rotation	REV
Mounting	RIGID	Motor Orientation	HORIZONTAL
Drive End Bearing	BALL	Opp Drive End Bearing	BALL
Frame Material	CAST IRON	Shaft Type	T
Overall Length	28.87 in	Frame Length	11.5 in
Shaft Diameter	2.13 in	Shaft Extension	5.5 in
Assembly/Box Mounting	F1/F2 CAPABLE		
Outline Drawing	B-SS300575-1150	Connection Diagram	A-EE7300

This is an uncontrolled document once printed or downloaded and is subject to change without notice. Date Created: 04/05/2018



- NOTES:
1. CONDUIT BOX CAN BE ROTATED IN 90 ° STEPS.
 2. CONDUIT BOX CAN BE MOUNTED ON OPPOSITE SIDE BY REMOVING BRACKETS AND TURNING FRAME 180 °.
 3. NAMEPLATE TO BE READ FROM CONDUIT BOX SIDE OF MOTOR.



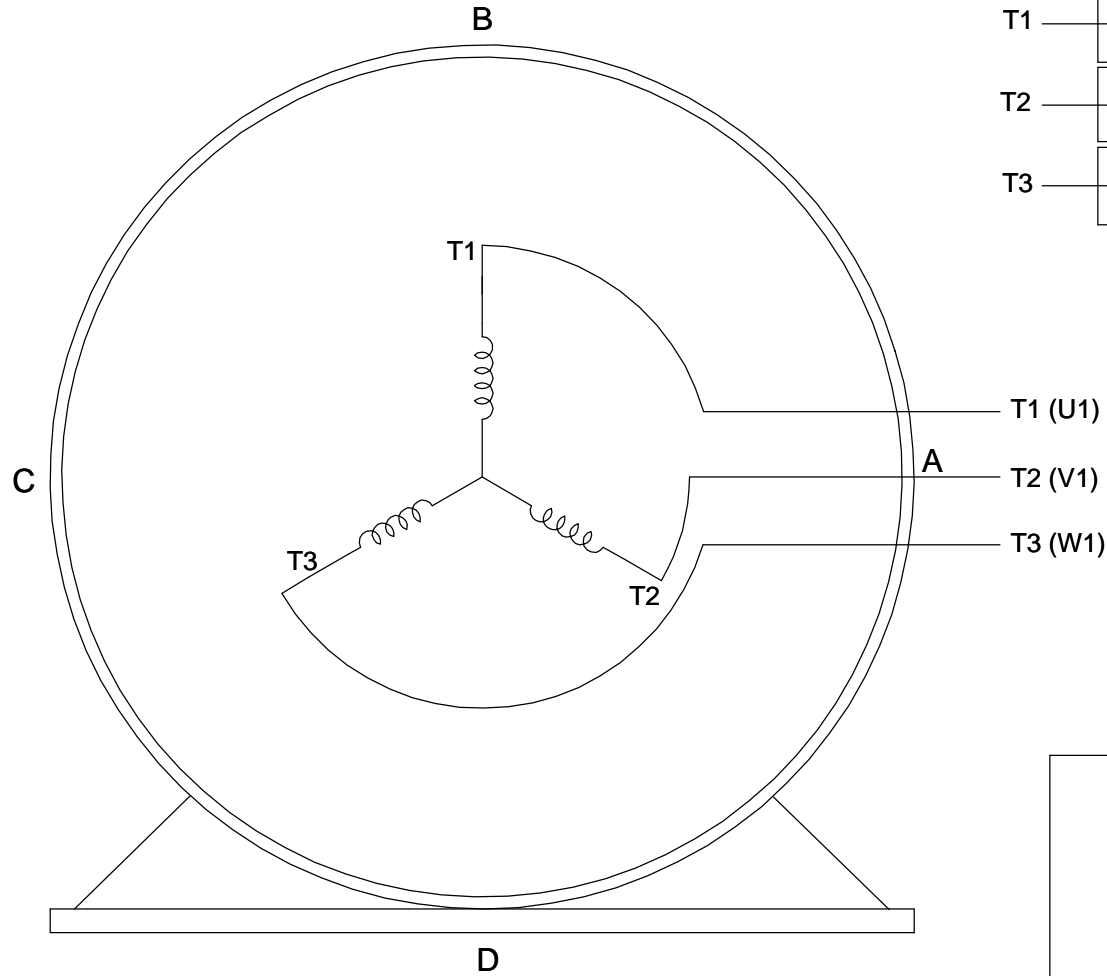
DASH	FRAME	C	B	BS	2F	2FF	--	MTG HOLES
1150	324T	28.87	13.00	5.25	--	10.50		4
1300	324/6T	30.37	14.50	6.00	10.50	12.00		8
1450	326T	31.87	15.00	6.75	12.00	13.00		8

8	REDRAWN IN CURRENT CAD SYSTEM (MU106311)	REP 02-02-2012	BW	TOLERANCES UNLESS SPECIFIED		DRAWN	MH 01-23-1998
7	ADDED F-2 VIEW (MU106696)	REP 12-27-2011	SJW	INCHES		CHK	ML 01-26-1998
6	REVISED DASH 1450 (CN 33720)	RJW 12-21-2004	ML	X	±.1	APPR	DD 01-26-1998
5	ADDED DASH -1450 TO TABLE	HLB 10-04-2004	LC	XX	±.03	SCALE	3:16
4	ADDED FOOT HOLE QTY & MTG. TO TABLE (CN37323)	TAT 12-09-2003	ML	XXX	±.005	REF	
3	UPDATED C'BOX GEOMETRY (CN 28424)	DRS 01-06-2000	-	XXXX	±.0005	FMF	
NO	REVISION	BY & DATE	CHK	LANG	±1/2"	FINISH	PAGE OF
		THIRD ANGLE PROJECTION		RFP		PREV	SIZE
		NETWORK FILE NAME		SS300575		DRAWING NO	
						B	
						SS300575	
						REV	
						8	

**THREE PHASE - SINGLE VOLTAGE
MOTOR - CONDUIT BOX @ 'A'**

**TO REVERSE ROTATION:
INTERCHANGE ANY TWO
LINE LEAD CONNECTIONS.**

TERMINAL BLOCK WHEN SPECIFIED



VIEW OF TERMINAL END

**IF MOTOR HAS
6 LEADS**



A-9806 DECAL

**OPTIONAL CORD
CONNECTION**

- L1 _____ WHITE
- L2 _____ RED
- L3 _____ BLACK

DRAWING REVISION AB	REVISION BY JJB	DATE 06-27-2017
ECO ECO-0125361	APPROVED BY TB	DATE 06-27-2017
ECO DESCRIPTION UPDATED TO CURRENT STANDARDS		
<small>COPYRIGHT REGAL BELOIT AMERICA, INC. ALL RIGHTS RESERVED. PROPRIETARY AND CONFIDENTIAL INFORMATION - THIS DOCUMENT IS THE PROPERTY OF REGAL BELOIT AMERICA, INC. ("OWNER") AND CONTAINS OWNER'S PROPRIETARY INFORMATION. ANY PERSON, CORPORATION OR OTHER FIRM RECEIVING IT IS DEEMED, BY RECEIVING IT, TO AGREE THAT IT, AND/OR ANY PART OF IT, SHALL NOT BE DISCLOSED TO ANY PERSON, CORPORATION OR OTHER ENTITY, DUPLICATED, AND/OR USED, EXCEPT AS EXPRESSLY APPROVED IN WRITING IN ADVANCE BY OWNER. THIS DOCUMENT SHALL BE RETURNED TO OWNER UPON REQUEST. IT MAY BE SUBJECT TO CERTAIN RESTRICTIONS UNDER APPLICABLE EXPORT CONTROL LAWS AND REGULATIONS.</small>		



DRAWN BY DA
DATE 03-26-1993
APPROVED BY TB
DATE 03-26-1993
REFERENCE
THIRD ANGLE PROJECTION

Regal Beloit America, Inc.		
		DESCRIPTION CONNECTION DIAGRAM EXTERNAL - SINGLE VOLTAGE - 3Ø MOTOR
MATERIAL	PROCESS/FINISH	
SIZE A	DRAWING NUMBER EE7300	SHEET 1 OF 1

CERTIFICATION DATA SHEET

Model#: 324THFS9080 AA **WINDING#:** 324679 NONE 2
CONN. DIAGRAM: A-EE7300 **ASSEMBLY:** F1/F2 CAPABLE
OUTLINE: B-SS300575-1150

TYPICAL MOTOR PERFORMANCE DATA

HP	KW	SYNC. RPM	F.L. RPM	FRAME	ENCLOSURE	KVA CODE	DESIGN
25	18.7	1200	1182	324T	TEFC	G	B

PH	Hz	VOLTS	FL AMPS	START TYPE	DUTY	INSL	S.F	AMB°C	ELEVATION
3	60	575	26	LINE OR INVERTER	CONTINUOUS	F3	1.15	40	3300

FULL LOAD EFF: 93	3/4 LOAD EFF: 93	1/2 LOAD EFF: 92.4	GTD. EFF	ELEC. TYPE	NO LOAD AMPS
FULL LOAD PF: 78	3/4 LOAD PF: 73	1/2 LOAD PF: 63	92.4	SQ CAGE INV RATED	11.2

F.L. TORQUE	LOCKED ROTOR AMPS	L.R. TORQUE	B.D. TORQUE	F.L. RISE°C
112 LB-FT	145.6	175 LB-FT 156	300 LB-FT 268	55

SOUND PRESSURE @ 3 FT.	SOUND POWER	ROTOR WK^2	MAX. WK^2	SAFE STALL TIME	STARTS /HOUR	APPROX. MOTOR WGT
56 dBA	66 dBA	8.5 LB-FT^2	425 LB-FT^2	20 SEC.	2	650 LBS.

***** SUPPLEMENTAL INFORMATION *****

DE BRACKET TYPE	ODE BRACKET TYPE	MOUNT TYPE	ORIENTATION	SEVERE DUTY	HAZARDOUS LOCATION	DRIP COVER	SCREENS	PAINT
STANDARD	STANDARD	RIGID	HORIZONTAL	PREMIUM SEVERE DUTY	DIVISION 2 T2B	FALSE	NONE	BLUE (EPOXY)

BEARINGS		GREASE	SHAFT TYPE	SPECIAL DE	SPECIAL ODE	SHAFT MATERIAL	FRAME MATERIAL
DE	OPE						
BALL	BALL	POLYREX EM	T	NONE	NONE	1045 HOT ROLLED (C-204)	CAST IRON
6312	6311						

THERMO-PROTECTORS				THERMISTORS	CONTROL	SPACE /n HEATERS
THERMOSTATS	PROTECTORS	WDG RTDs	BRG RTDs			
NONE	NOT	NONE	NONE	NONE	FALSE	NONE VOLTS

If Inverter equals NONE, contact factory for further information

INVERTER TORQUE: CONSTANT 20:1
INV. HP SPEED RANGE: NONE
ENCODER: NONE
NONE NONE
NONE NONE PPR
BRAKE: NONE NONE
NONE P/N NONE
NONE NONE
NONE FT-LB NONE V NONE Hz

*
N
O
T
E
S
*

DATE: 06/21/2017 03:28:46 AM
 FORM 3531 REV.3 02/07/99

** Subject to change without notice.

Data Sheet

Date: 20-06-2017
 Customer: _____
 Attention: _____
 Submitted by: FAREEDA DUDEKULA



324THFS9080

Submittal

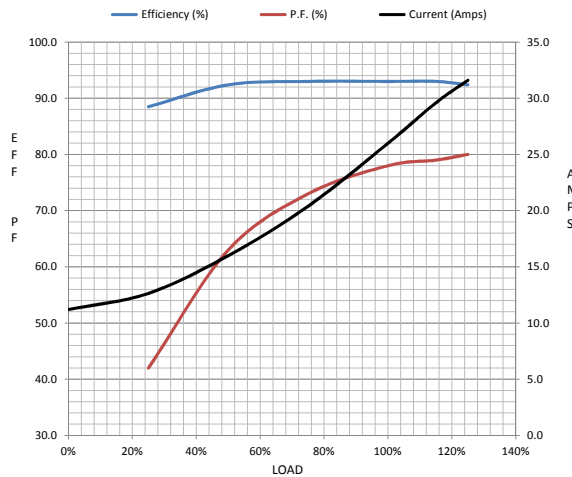
Data @ 575 V

Motor Load Data

Load	0%	25%	50%	75%	100%	115%	125%	LR
Current (Amps)	11.2	12.6	16.0	20.4	26.0	29.6	31.6	146
Torque (ft-lb)	0.00	27.5	55.0	83.5	112	128	140	175
RPM	1200	1195	1190	1188	1182	1,178	1175	0
Efficiency (%)		88.5	92.4	93.0	93.0	93.0	92.4	
P.F. (%)	4.5	42.0	63.0	73.0	78.0	79.0	80.0	30.0

Motor Speed Data

	LR	Pull-Up	BD	Rated	Idle
Speed (RPM)	0	600	1100	1182	1200
Current (Amps)	146	134	100	26.0	11.2
Torque (ft-lb)	175	190	300	112	0.00



Information Block				
HP	25.0			
Sync. RPM	1200			
Frame	324			
Enclosure	TEFC			
Construction	TFN			
Voltage	575 V			
Frequency	60 Hz			
Design	B			
LR Code letter	G			
Service Factor	1.15			
Temp Rise @ FL	55 ° C			
Duty	CONT			
Ambient	40 ° C			
Elevation	1,000 feet			
Rotor/Shaft wk ²	8.5 Lb-Ft ²			
Ref Wdg	324679 NONE			
Sound Pressure @ 1M	56 dBA			
VFD Rating	CONSTANT 20:1			
Outline Dwg	B-SS300575-1150			
Conn. Diag	A-EE7300			
Additional Specifications:				
0				
365THFS8036				
EQUIV CKT (OHMS / PHASE)				
R1	R2	X1	X2	Xm
0.2750	0.2130	1.6350	2.0390	28.3040

Speed -Torque Curve

