

PRODUCT INFORMATION PACKET

Model No: 324TTFS16860
Catalog No: E624-P
40,1800, TEFC,324T,3/60/460
Severe Duty



Regal and Marathon are trademarks of Regal Beloit Corporation or one of its affiliated companies.
©2018 Regal Beloit Corporation, All Rights Reserved. MC017097E





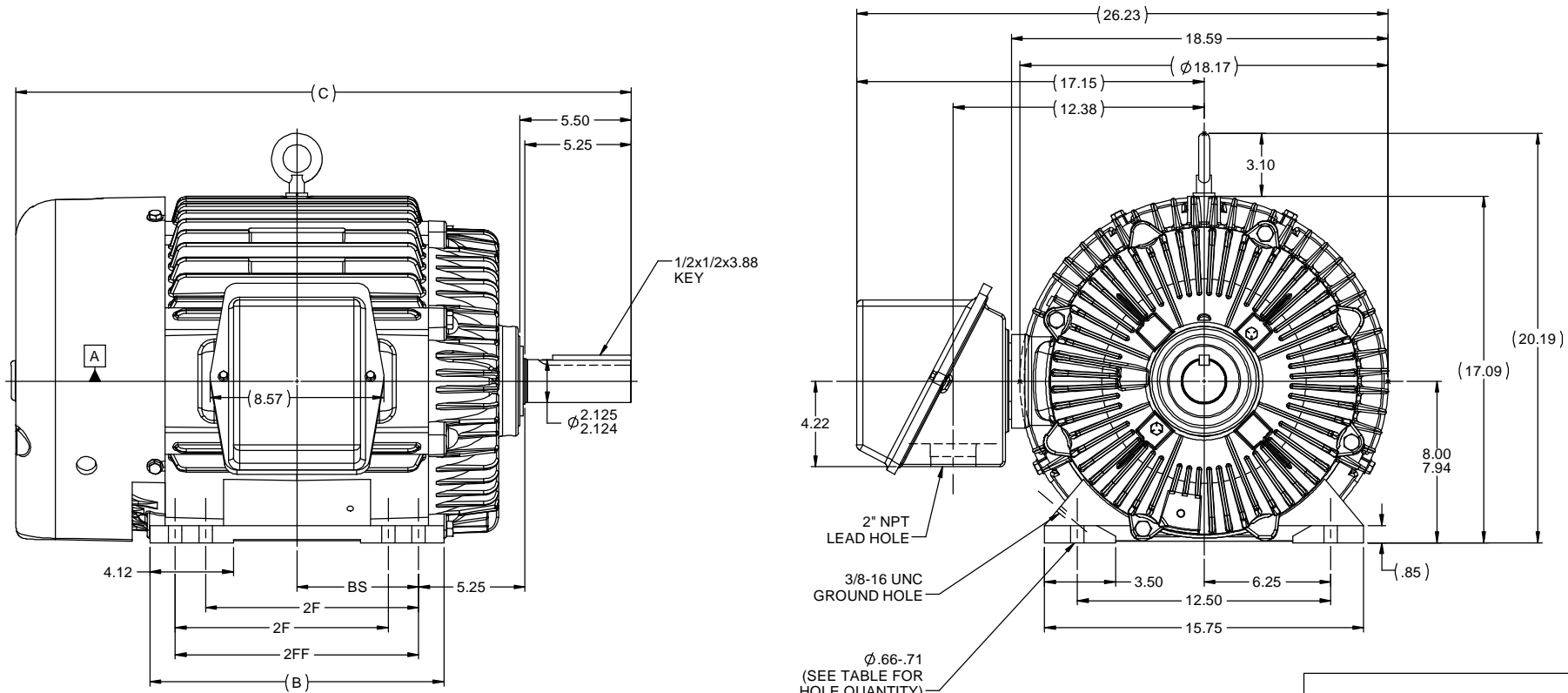
Nameplate Specifications

| | | | |
|----------------------------|---------------|------------------------|-------------------|
| Output HP | 40 Hp | Output KW | 30 kW |
| Frequency | 60 Hz | Voltage | 460 V |
| Current | 47.5 A | Speed | 1780 rpm |
| Service Factor | 1.15 | Phase | 3 |
| Efficiency | 94.1 % | Duty | CONTINUOUS |
| Insulation Class | F | Design Code | B |
| KVA Code | G | Frame | 324T |
| Enclosure | TEFC | Overload Protector | NOT |
| Ambient Temperature | 40 °C | Drive End Bearing Size | 6312 |
| Opp Drive End Bearing Size | 6311 | UL | Recognized |
| CSA | Y | CE | Y |
| IP Code | 54 | | |

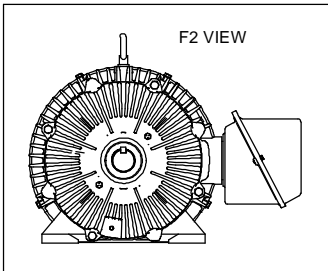
Technical Specifications

| | | | |
|-----------------------|--------------------------|-----------------------|-------------------------|
| Electrical Type | SQ CAGE INV RATED | Starting Method | LINE OR INVERTER |
| Poles | 4 | Rotation | REV |
| Mounting | RIGID | Motor Orientation | HORIZONTAL |
| Drive End Bearing | BALL | Opp Drive End Bearing | BALL |
| Frame Material | CAST IRON | Shaft Type | T |
| Overall Length | 30.37 in | Frame Length | 13 in |
| Shaft Diameter | 2.13 in | Shaft Extension | 5.5 in |
| Assembly/Box Mounting | F1/F2 CAPABLE | | |
| Outline Drawing | SS300575-1300 | Connection Diagram | EE7300 |

This is an uncontrolled document once printed or downloaded and is subject to change without notice. Date Created: 04/05/2018



- NOTES:
1. CONDUIT BOX CAN BE ROTATED IN 90 ° STEPS.
 2. CONDUIT BOX CAN BE MOUNTED ON OPPOSITE SIDE BY REMOVING BRACKETS AND TURNING FRAME 180 °.
 3. NAMEPLATE TO BE READ FROM CONDUIT BOX SIDE OF MOTOR.



| DASH | FRAME | C | B | BS | 2F | 2FF | -- | MTG HOLES |
|------|--------|-------|-------|------|-------|-------|----|-----------|
| 1150 | 324T | 28.87 | 13.00 | 5.25 | -- | 10.50 | | 4 |
| 1300 | 324/6T | 30.37 | 14.50 | 6.00 | 10.50 | 12.00 | | 8 |
| 1450 | 326T | 31.87 | 15.00 | 6.75 | 12.00 | 13.00 | | 8 |

| | | | | | | | |
|----|---|----------------|-----|-----------------------------|--------|--------|---------------|
| 8 | REDRAWN IN CURRENT CAD SYSTEM (MU106311) | REP 02-02-2012 | BW | TOLERANCES UNLESS SPECIFIED | | DRAWN | MH 01-23-1998 |
| 7 | ADDED F-2 VIEW (MU106696) | REP 12-27-2011 | SJW | INCHES | | CHK | ML 01-26-1998 |
| 6 | REVISED DASH 1450 (CN 33720) | RJW 12-21-2004 | ML | X | ±.1 | APPR | DD 01-26-1998 |
| 5 | ADDED DASH -1450 TO TABLE | HLB 10-04-2004 | LC | XX | ±.03 | TITLE | OUTLINE |
| 4 | ADDED FOOT HOLE QTY & MTG. TO TABLE (CN37323) | TAT 12-09-2003 | ML | XXX | ±.005 | | SCALE 3:16 |
| 3 | UPDATED C'BOX GEOMETRY (CN 28424) | DRS 01-06-2000 | - | XXXX | ±.0005 | MATL | REF |
| NO | REVISION | BY & DATE | CHK | LANG | ±1/2" | FINISH | FMF |
| | | | | | | PREV | PAGE OF |
| | | | | | | SIZE | DRAWING NO |
| | | | | | | B | SS300575 |
| | | | | | | | REV |
| | | | | | | | 8 |



**THREE PHASE - SINGLE VOLTAGE
MOTOR - CONDUIT BOX @ 'A'**

**TO REVERSE ROTATION:
INTERCHANGE ANY TWO
LINE LEAD CONNECTIONS.**

TERMINAL BLOCK WHEN SPECIFIED



VIEW OF TERMINAL END

**IF MOTOR HAS
6 LEADS**



A-9806 DECAL

**OPTIONAL CORD
CONNECTION**



| | | |
|---|---------------------------|---------------------------|
| DRAWING REVISION AB | REVISION BY JJB | DATE 06-27-2017 |
| ECO ECO-0125361 | APPROVED BY TB | DATE 06-27-2017 |
| ECO DESCRIPTION UPDATED TO CURRENT STANDARDS | | |
| <small>COPYRIGHT REGAL BELOIT AMERICA, INC. ALL RIGHTS RESERVED. PROPRIETARY AND CONFIDENTIAL INFORMATION - THIS DOCUMENT IS THE PROPERTY OF REGAL BELOIT AMERICA, INC. ("OWNER") AND CONTAINS OWNER'S PROPRIETARY INFORMATION. ANY PERSON, CORPORATION OR OTHER FIRM RECEIVING IT IS DEEMED, BY RECEIVING IT, TO AGREE THAT IT, AND/OR ANY PART OF IT, SHALL NOT BE DISCLOSED TO ANY PERSON, CORPORATION OR OTHER ENTITY, DUPLICATED, AND/OR USED, EXCEPT AS EXPRESSLY APPROVED IN WRITING IN ADVANCE BY OWNER. THIS DOCUMENT SHALL BE RETURNED TO OWNER UPON REQUEST. IT MAY BE SUBJECT TO CERTAIN RESTRICTIONS UNDER APPLICABLE EXPORT CONTROL LAWS AND REGULATIONS.</small> | | |



| |
|---------------------------|
| DRAWN BY DA |
| DATE 03-26-1993 |
| APPROVED BY TB |
| DATE 03-26-1993 |
| REFERENCE |
| THIRD ANGLE PROJECTION |

| | | |
|-----------------------------------|---------------------------------|--|
| Regal Beloit America, Inc. | | |
| | | DESCRIPTION CONNECTION DIAGRAM EXTERNAL - SINGLE VOLTAGE - 3Ø MOTOR |
| MATERIAL | PROCESS/FINISH | |
| SIZE A | DRAWING NUMBER EE7300 | SHEET 1 OF 1 |

CERTIFICATION DATA SHEET

Model#: 324TFS16860 AN WINDING#: K3244127 NONE 2
 CONN. DIAGRAM: EE7300 ASSEMBLY: F1/F2 CAPABLE
 OUTLINE: SS300575-1300

TYPICAL MOTOR PERFORMANCE DATA

| HP | KW | SYNC. RPM | F.L. RPM | FRAME | ENCLOSURE | KVA CODE | DESIGN | | | |
|------------------------|-------------|--------------------|-------------|--------------------|--------------|-------------------|--------|-------------------|-----------|--------------|
| 40 | 30 | 1800 | 1780 | 324T | TEFC | G | B | | | |
| PH | Hz | VOLTS | FL AMPS | START TYPE | DUTY | INSL | S.F | AMB°C | ELEVATION | |
| 3 | 60 | 460 | 47.5 | LINE OR INVERTER | CONTINUOUS | F3 | 1.15 | 40 | 3300 | |
| FULL LOAD EFF: 94.1 | | 3/4 LOAD EFF: 94.5 | | 1/2 LOAD EFF: 94.5 | | GTD. EFF | | ELEC. TYPE | | NO LOAD AMPS |
| FULL LOAD PF: 83 | | 3/4 LOAD PF: 79.5 | | 1/2 LOAD PF: 71 | | 93.6 | | SQ CAGE INV RATED | | 17.5 |
| F.L. TORQUE | | LOCKED ROTOR AMPS | | L.R. TORQUE | | B.D. TORQUE | | F.L. RISE°C | | |
| 118 LB-FT | | 290 | | 218 LB-FT 185 | | 305 LB-FT 258 | | 65 | | |
| SOUND PRESSURE @ 3 FT. | SOUND POWER | ROTOR WK^2 | MAX. WK^2 | SAFE STALL TIME | STARTS /HOUR | APPROX. MOTOR WGT | | | | |
| 65 dBA | 75 dBA | 8.8 LB-FT^2 | 275 LB-FT^2 | 25 SEC. | 2 | 700 LBS. | | | | |

*** SUPPLEMENTAL INFORMATION ***

| DE BRACKET TYPE | ODE BRACKET TYPE | MOUNT TYPE | ORIENTATION | SEVERE DUTY | HAZARDOUS LOCATION | DRIP COVER | SCREENS | PAINT |
|-----------------|------------------|------------|-------------|---------------------|--------------------|------------|---------|--------------|
| STANDARD | STANDARD | RIGID | HORIZONTAL | PREMIUM SEVERE DUTY | NONE | FALSE | NONE | BLUE (EPOXY) |

| BEARINGS | | GREASE | SHAFT TYPE | SPECIAL DE | SPECIAL ODE | SHAFT MATERIAL | FRAME MATERIAL |
|----------|------|------------|------------|------------|-------------|-------------------------|----------------|
| DE | OPE | POLYREX EM | T | NONE | NONE | 1045 HOT ROLLED (C-204) | CAST IRON |
| 6312 | 6311 | | | | | | |

| THERMO-PROTECTORS | | | | THERMISTORS | CONTROL | SPACE /n HEATERS |
|-------------------|------------|----------|----------|-------------|---------|------------------|
| THERMOSTATS | PROTECTORS | WDG RTDs | BRG RTDs | NONE | FALSE | NONE VOLTS |
| NONE | NOT | NONE | NONE | | | |

If Inverter equals NONE, contact factory for further information

| |
|--|
| INVERTER TORQUE: CONSTANT 10:1 INV. HP SPEED RANGE: 1.5 X BASE SPEED |
| ENCODER: NONE NONE NONE NONE NONE PPR |
| BRAKE: NONE NONE NONE P/N NONE NONE NONE - FT-LB NONE V NONE Hz |

*
N
O
T
E
S
*

DATE: 06/21/2017 05:11:06 AM
 FORM 3531 REV.3 02/07/99
 ** Subject to change without notice.