

PRODUCT INFORMATION PACKET

Model No: 5KH33JNA500S
Catalog No: X1904
1/3,1725,TENV,48Z,1/60/115
Single Phase



Regal and Marathon are trademarks of Regal Beloit Corporation or one of its affiliated companies.
©2018 Regal Beloit Corporation, All Rights Reserved. MC017097E



Nameplate Specifications

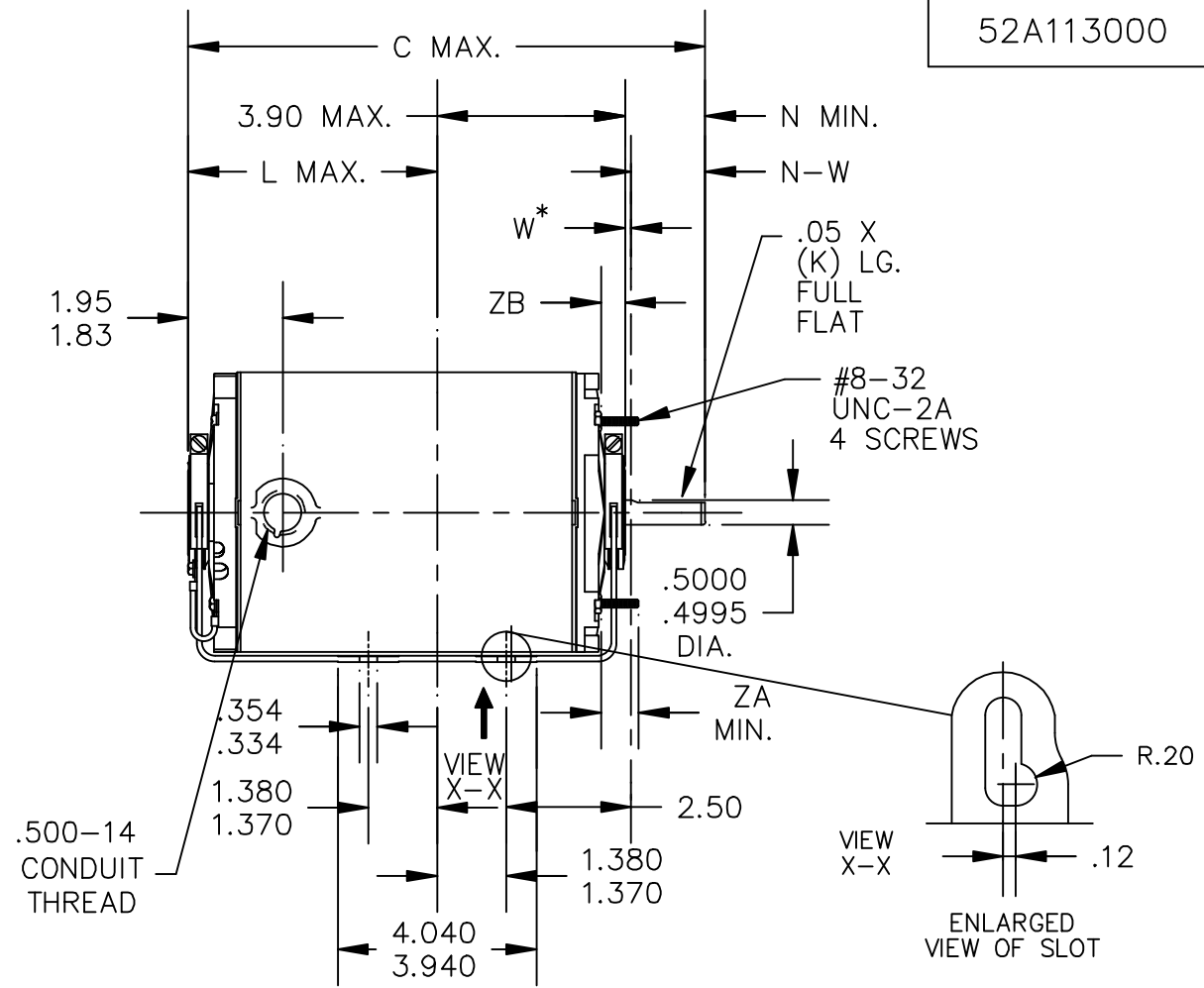
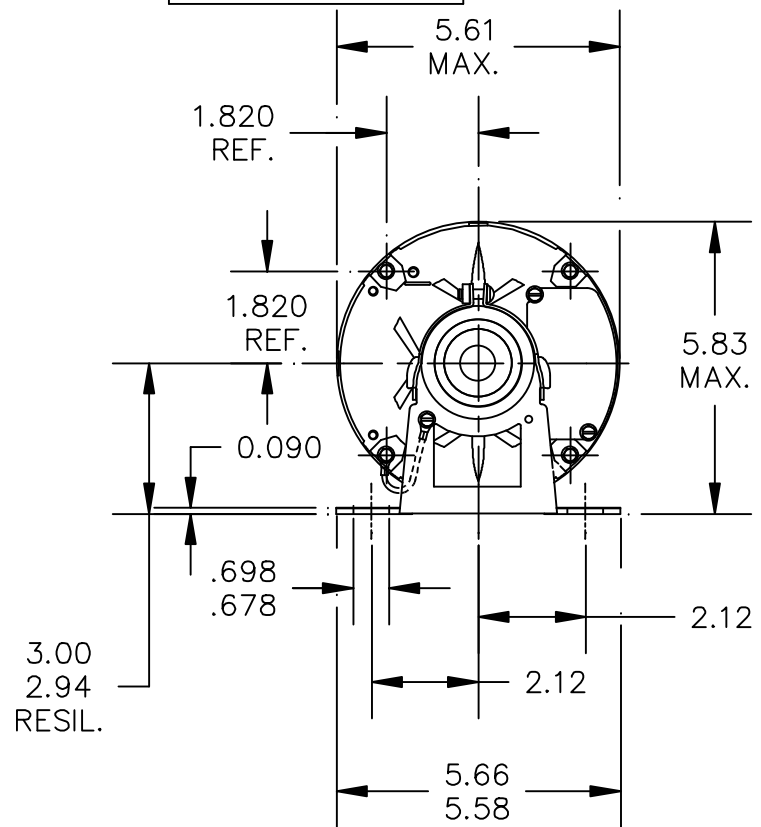
Output HP	0.33 Hp	Output KW	0.25 kW
Frequency	60 Hz	Voltage	115 V
Current	6.2 A	Speed	1725 rpm
Service Factor	1.35	Phase	1
Efficiency	60.5 %	Duty	CONT
Insulation Class	B	KVA Code	R
Frame	48Z	Enclosure	TENV
Overload Protector	AUTO	Ambient Temperature	40 °C
Drive End Bearing Size	6203	Opp Drive End Bearing Size	6203
UL	Recognized	CSA	Yes
CE	N		

Technical Specifications

Electrical Type	Split Phase	Starting Method	SM
Poles	4	Rotation	CCW/CW
Mounting	RB	Motor Orientation	ANY
Drive End Bearing	BALL	Opp Drive End Bearing	BALL
Frame Material	Rolled Steel	Overall Length	9.93 in
Frame Length	5.41 in	Shaft Diameter	0.5 in
Shaft Extension	2.25 in		
Outline Drawing	52A113000P3	Connection Diagram	52A105379AA

This is an uncontrolled document once printed or downloaded and is subject to change without notice. Date Created: 04/05/2018

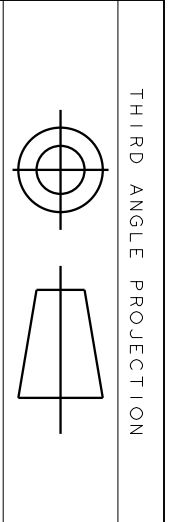
CONTINUED FROM
52A101954



W* IS A CLEARANCE DUE TO VARIATION IN PARTS AND ASSEMBLY.

3	KH	33	48Z	9.93	1.91	3.84	2.25	2.38/2.16	.55/.52	.62
2	KH	32	48Z	9.68	1.91	3.59	2.25	2.38/2.16	.55/.52	.78
1	KH	36	48Z	11.00	2.16	4.65	2.50	2.63/2.41	.55/.52	.62
P	TYPE	RBC SIZE	NEMA FR	C	K	L	N	N-W	ZB	ZA

				TOLERANCES UNLESS SPECIFIED		REGAL-BELOIT CORPORATION		DRAWN BOMMU 10/23/07		
				DEC.	INCHES			CHK		
				.X	±0.1	TITLE		APPD PRAVEEN 10/23/07		
				.XX	±0.02			SCALE 1=1		
01	CHG GD LD FROM 4.30 TO 7.30 PER IS11-0510.	PVR 09/24/12	PKG	.XXX	±0.005	OUTLINE TENV - RESIL BASE		REF		
	& REDRAWN IN DRAFT SIGHT			.XXXX	±0.0005			MAT'L.		FMF
Nº.	REVISION	BY & DATE	CHK	ANG	±1.0	FINISH		PREV		
THIS DRAWING IN DESIGN AND DETAIL IS OUR PROPERTY AND MUST NOT BE USED EXCEPT IN CONNECTION WITH OUR WORK ALL RIGHTS OF DESIGN AND INVENTION ARE RESERVED THIS IS AN ELECTRONICALLY GENERATED DOCUMENT - DO NOT SCALE THIS PRINT				RFP		CAD FILE 52A113000		SIZE	DRAWING NO.	REV.
				DIST				A	52A113000	01



REV.	DESCRIPTION	DATE	APPROVED
6	UPDATED FORMAT	12/01/05	MAM

EITHER ROTATION-SINGLE VOLTAGE-TYPE KC OR KH-WITH THERMAL PROTECTOR



NOTE #1 - TO REVERSE ROTATION INTERCHANGE RED (T8) AND BLACK (J9-KC OR T5-KH) LEADS.
 NOTE #2 - WHEN MORE THAN ONE CAPACITOR IS USED CONNECT IN PARALLEL.

SWITCH (C) - 115D958AB REF. DIAG. - 121A851 CONN. LABEL - 52X332048

SIGNATURES	DATE
MODEL M.D.PAPE	06/29/87
DETAIL	
CHECKED	
ENGRG	
MFG	
QUALITY	
ISSUED	M.D.P. 03/08/00
SOLID MODEL: 52A105379AA	

REGAL-BELOIT CORPORATION

REGAL-BELOIT

TITLE: **CONNECTION DIAGRAM**

SIZE: DRAWING A

SCALE: 1.000 REF. No.:

30 FR SWITCH REDESIGN

52A105379AA

REV 6