

# PRODUCT INFORMATION PACKET

Model No: 5KCR49WN0295U  
Catalog No: C1295  
1 1/2, 1725, TEFC, 56NY, 1/60/115/208-230  
Auger Drive



Regal and Marathon are trademarks of Regal Beloit Corporation or one of its affiliated companies.  
©2018 Regal Beloit Corporation, All Rights Reserved. MC017097E



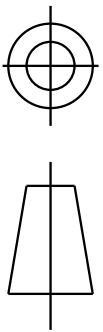
### Nameplate Specifications

Output HP	<b>1.5 Hp</b>	Output KW	<b>1.12 kW</b>
Frequency	<b>60 Hz</b>	Voltage	<b>115/208-230 V</b>
Current	<b>14.5,7.1-7.3 A</b>	Speed	<b>1725 rpm</b>
Service Factor	<b>1.15</b>	Phase	<b>1</b>
Efficiency	<b>73.6 %</b>	Duty	<b>CONT</b>
Insulation Class	<b>B</b>	KVA Code	<b>K</b>
Frame	<b>56NY</b>	Enclosure	<b>TEFC</b>
Overload Protector	<b>MAN</b>	Ambient Temperature	<b>40 °C</b>
Drive End Bearing Size	<b>6203</b>	Opp Drive End Bearing Size	<b>6203</b>
UL	<b>Recognized</b>	CSA	<b>Yes</b>
CE	<b>N</b>		

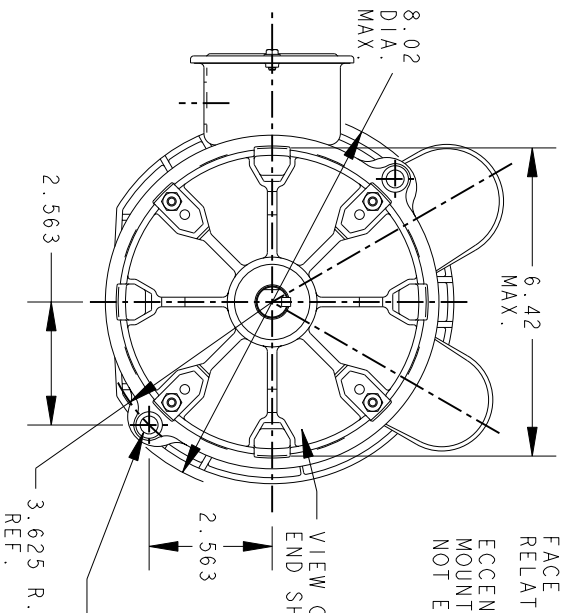
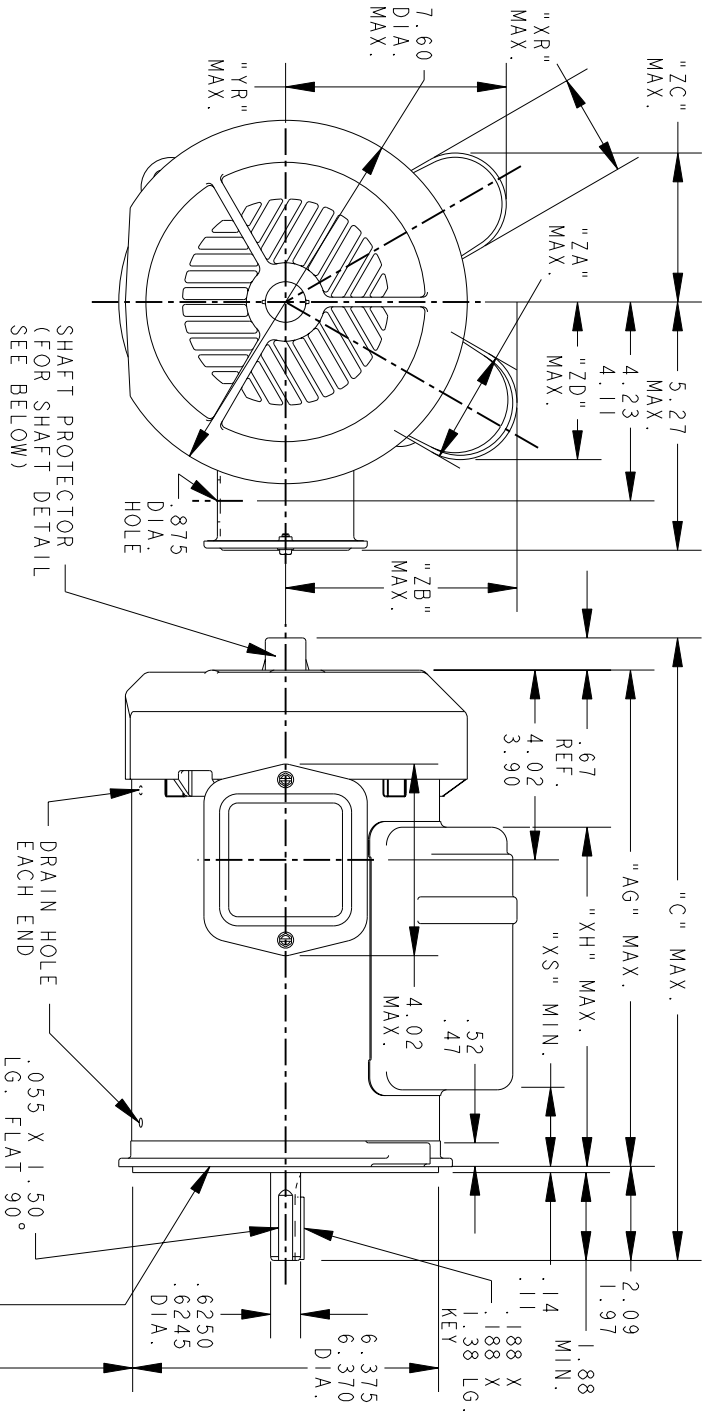
### Technical Specifications

Electrical Type	<b>Capacitor Start Capacitor Run(CSCR)</b>	Starting Method	<b>SM</b>
Poles	<b>4</b>	Rotation	<b>CCW/CW</b>
Mounting	<b>RD</b>	Motor Orientation	<b>ANY</b>
Drive End Bearing	<b>BALL</b>	Opp Drive End Bearing	<b>BALL</b>
Frame Material	<b>Rolled Steel</b>	Overall Length	<b>14.51 in</b>
Frame Length	<b>8.99 in</b>	Shaft Diameter	<b>0.63 in</b>
Shaft Extension	<b>1.88 in</b>		
Outline Drawing	<b>52A107769P1</b>	Connection Diagram	<b>52A110583AE</b>

This is an uncontrolled document once printed or downloaded and is subject to change without notice. Date Created: 04/05/2018



REV.	DESCRIPTION	DATE	APPROVED
4	CHG TO RBC FORMAT PER IS05-1777	03/02/06	SUDHA



FACE RUNOUT (WITH INDICATOR MOUNTED STATIONARY RELATIVE TO SHAFT) MUST NOT EXCEED .006 T.I.R.

ECCENTRICITY OF THIS SURFACE (WITH INDICATOR MOUNTED STATIONARY RELATIVE TO SHAFT) MUST NOT EXCEED .006 T.I.R.

MUST BE CENTRAL WITHIN .010 T.I.R.

.380/.340 DIA. (2 HOLES) THESE HOLES FIT A GAGE HAVING A RABBIT 6.375 DIA. AND 2 PINS .3309 DIA. LOCATED ON THE BASIC HOLE POSITIONS.

SHAFT DETAIL O.P.E.  
 .50  
 .48  
 .50  
 .48  
 .6250  
 .6245

ALL DIMENSIONS ARE IN INCHES

P	TYPE	GE SIZE	NEMA "C"	"AG"	"XH"	"YR"	"XR"	"XS"	"ZA"	"ZB"	"ZC"	"ZD"	MIN. SHELL	
1	KCR	49	56NY	14.51	11.73	7.77	4.68	2.15	2.02	2.72	5.27	3.20	3.66	8.99

SIGNATURES		DATE
MODEL	M.D. PAPE	11/22/91
DETAIL	.	.
CHECKED	.	.
ENGRG	.	.
MFG	.	.
QUALITY	.	.
ISSUED	M.A.M.	07/07/94



REGAL-BELOTT CORPORATION

TITLE  
**OUTLINE**

SPECIAL PURPOSE MOTOR TEFC -

BALL BEARING - 2 LUG FLANGE FMF: 5KCR49UN0079U

SIZE DRAWING A

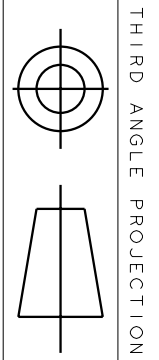
SCALE: 0.250 REF. No.: .

52A107769 4

FOR ADDITIONAL INFO REFER TO:  
 APPLIED PRACTICES  
 DIMENSIONS ARE IN INCHES

MATERIAL: SOLID MODEL: 52A107769

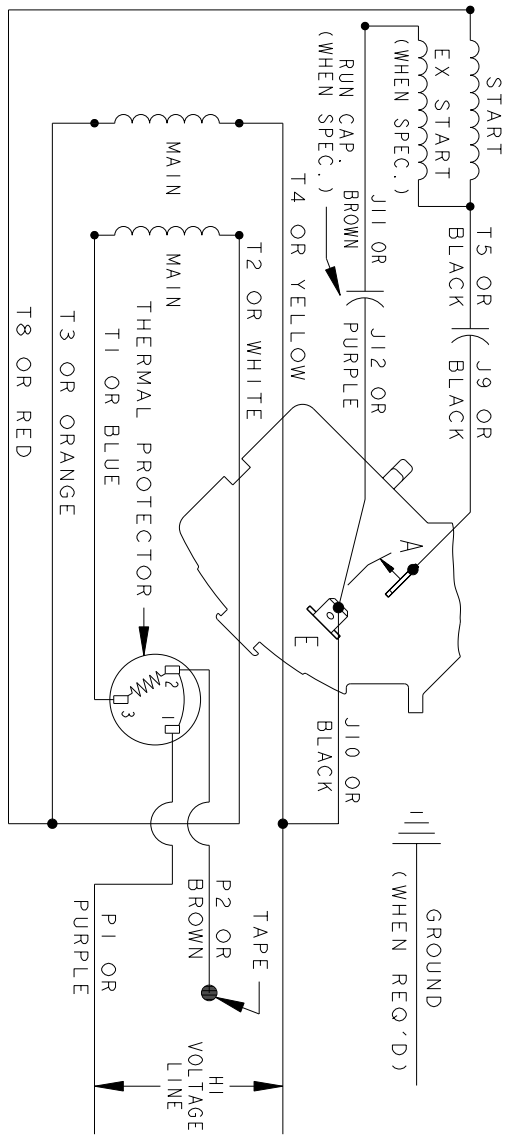
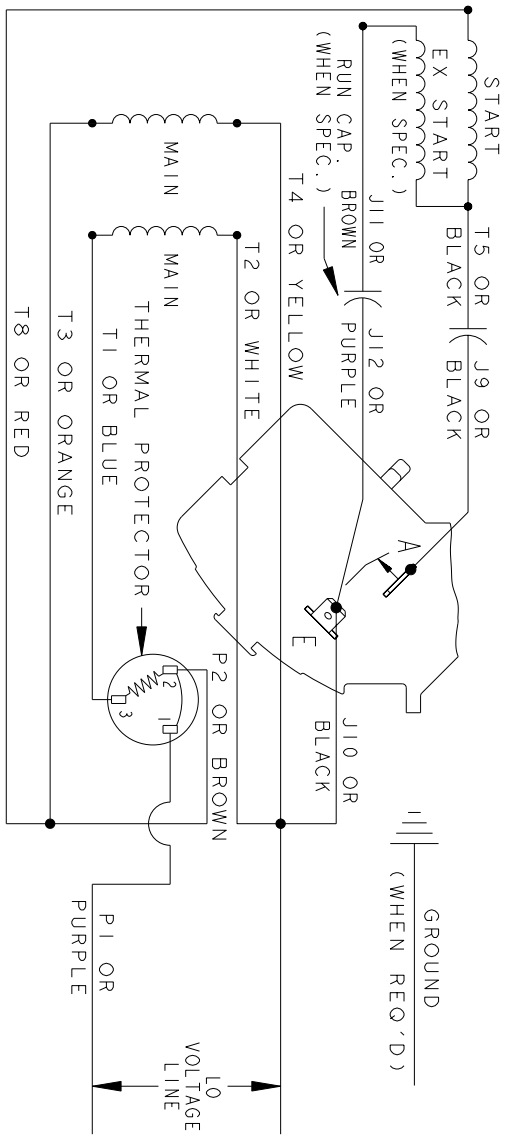
SHEET 1 of 1



THIRD ANGLE PROJECTION

REV.	DESCRIPTION	DATE	APPROVED

CW ROTATION SHAFT END - DUAL VOLTAGE  
TYPE CAP START WITH THERMAL PROTECTOR



NOTE#1 - TO REVERSE ROTATION, INTERCHANGE T8 RED AND J10 BLACK LEADS  
NOTE#2 - WHEN MORE THAN ONE CAPACITOR IS USED, CONNECT IN PARALLEL.  
NOTE#3 - 115D958ABP5 - HIGH CURRENT CONTACTS.

REF. - 52A105383BA  
SWITCH - 115D958AB  
CONNECTION LABEL - 52X332912



REGAL-BELOIT CORPORATION

TITLE CONNECTION DIAGRAM

SIGNATURES	DATE
MODEL MADHU	10/29/09
DETAIL	.
CHECKED	.
ENGRG	.
MFG	.
FOR ADDITIONAL INFO REFER TO:	
APPLIED PRACTICES	QUALITY
DIMENSIONS ARE IN INCHES	ISSUED
MATERIAL	SOLID MODEL: 52A110583AE

SIZE	DRAWING	SCALE	REF. No.	SHEET	REV
A		1.000	.	1 of 1	0

52A110583AE