

PRODUCT INFORMATION PACKET

Model No: 445THFN8050
Catalog No: Y520
200,1800,TEBC,445T,3/60/460
2000:1 With Encoder Provision



Regal and Marathon are trademarks of Regal Beloit Corporation or one of its affiliated companies.
©2018 Regal Beloit Corporation, All Rights Reserved. MC017097E





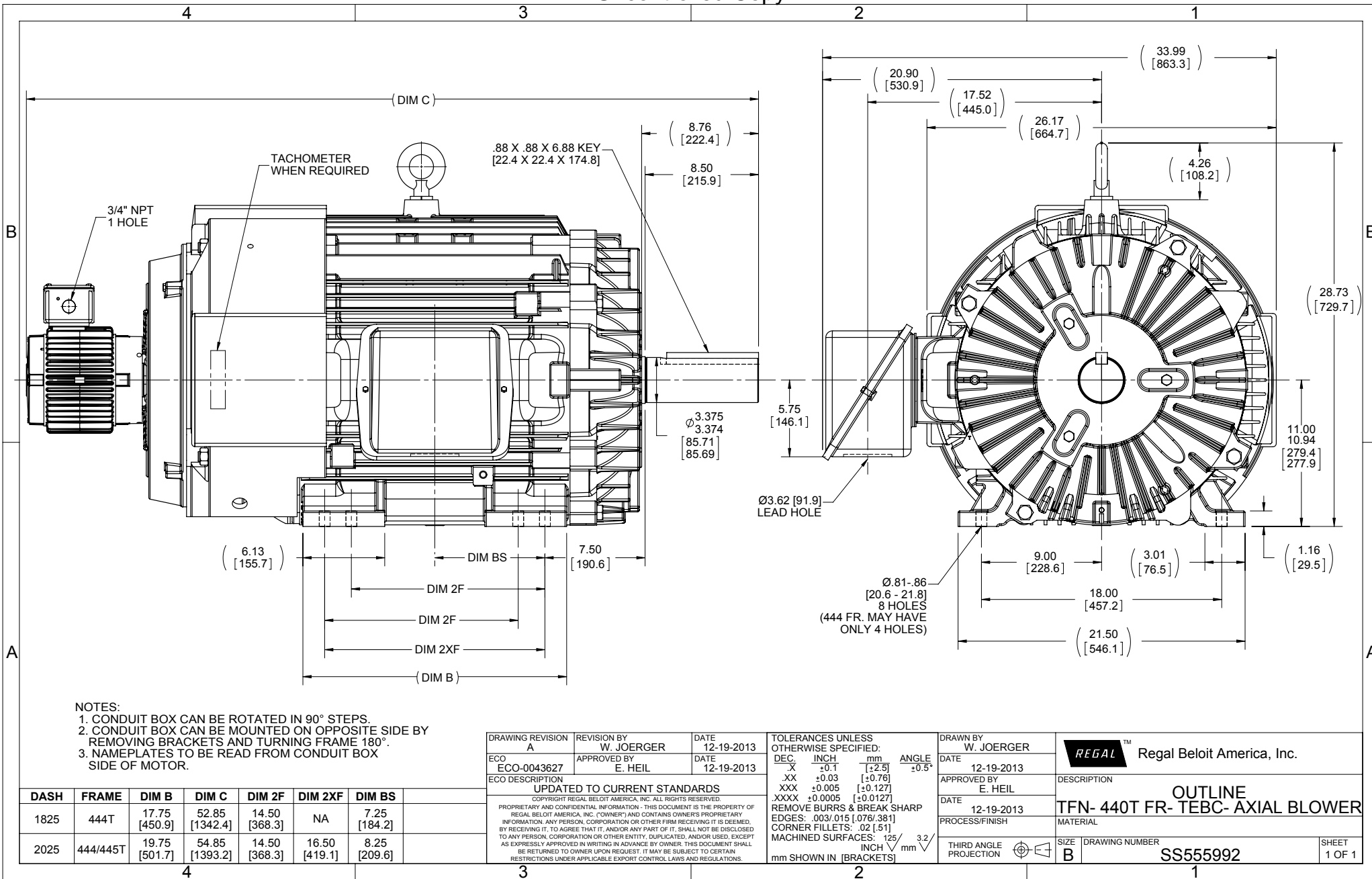
Nameplate Specifications

Output HP	200 Hp	Output KW	149 kW
Frequency	60 Hz	Voltage	460 V
Current	230 A	Speed	1790 rpm
Service Factor	1	Phase	3
Efficiency	95 %	Duty	CONTINUOUS
Insulation Class	H	Design Code	INV
KVA Code	K	Frame	445T
Enclosure	TEBC-AXIAL	Overload Protector	NOT
Ambient Temperature	40 °C	Drive End Bearing Size	6318
Opp Drive End Bearing Size	6316	UL	Recognized
CSA	Y	CE	Y
IP Code	43		

Technical Specifications

Electrical Type	SQ CAGE INV DUTY	Starting Method	INVERTER ONLY
Poles	4	Rotation	REV
Mounting	RIGID	Motor Orientation	HORIZONTAL
Drive End Bearing	BALL	Opp Drive End Bearing	BALL
Frame Material	CAST IRON	Shaft Type	T
Overall Length	54.85 in	Frame Length	20.25 in
Shaft Diameter	3.38 in	Shaft Extension	8.75 in
Assembly/Box Mounting	F1/F2 CAPABLE		
Outline Drawing	B-SS555992-2025	Connection Diagram	A-EE7300T

This is an uncontrolled document once printed or downloaded and is subject to change without notice. Date Created: 04/05/2018

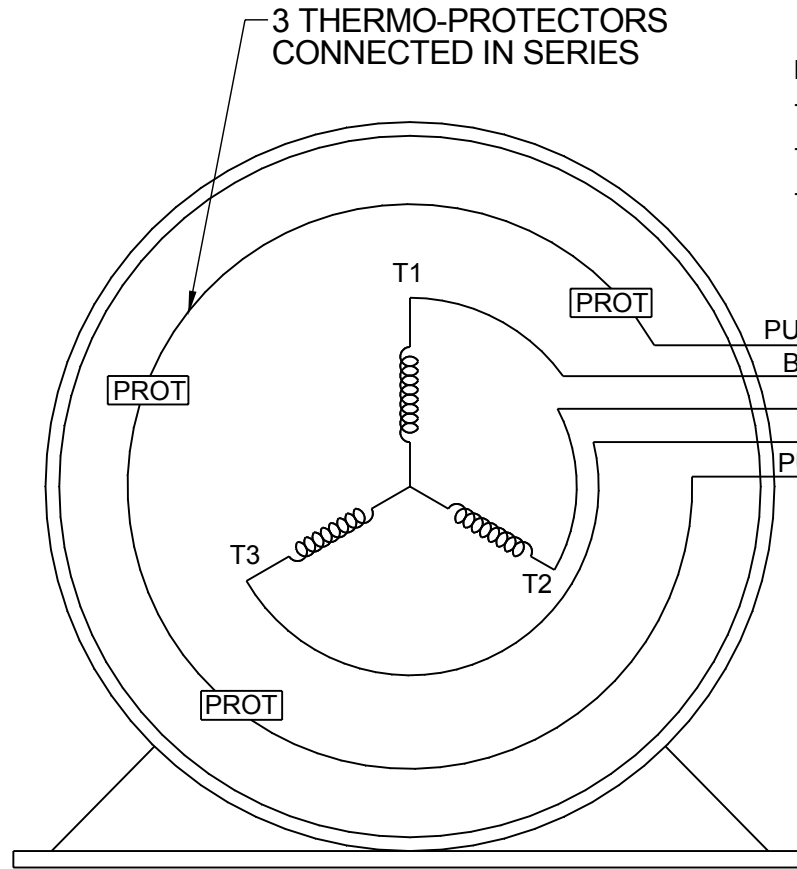
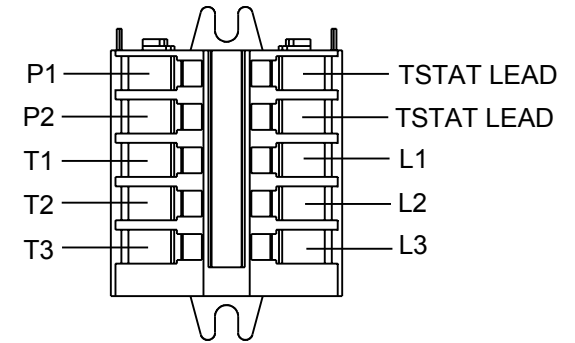


**THREE PHASE - SINGLE VOLTAGE
MOTOR - CONDUIT BOX @ 'A'**

**TO REVERSE ROTATION:
INTERCHANGE ANY TWO LINE
LEAD CONNECTIONS**

**NOTE FOR FACTORY USE ONLY:
TO SURGE TEST:
FOR 3 LEAD COMMON CONNECT:
CONNECT P1 TO T1 THEN P2 TO L1
FOR 6 LEAD COMMON CONNECT:
CONNECT P1 TO BOTH T1
THEN P2 TO L1**

TERMINAL BLOCK WHEN SPECIFIED

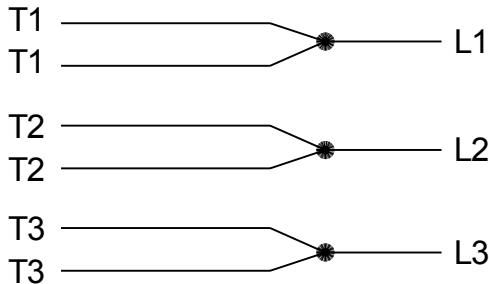


PURPLE P1 (TB1)
BLACK T1 (U1)
RED T2 (V1)
BLUE T3 (W1)
PURPLE P2 (TB2)

T2BM
T6AW
T6AL
T6Z
T4EG
T4BF
T8A
T6H
T6A
T4AX
T4A
T2A
T2F

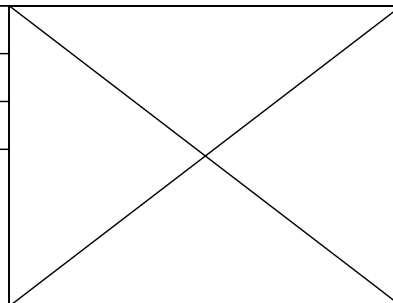
VIEW OF TERMINAL END

**IF MOTOR HAS MULTIPLE
T'S PER LEAD CONNECT
TOGETHER LIKE T'S**



A-9806 DECAL

DRAWING REVISION AB	REVISION BY AJW	DATE 07-17-2015
ECO ECO-0081632	APPROVED BY T.VUE	DATE 07-17-2015
ECO DESCRIPTION REV'D IEC MARKINGS PER IEC-60034-8		
<small>COPYRIGHT REGAL BELOIT AMERICA, INC. ALL RIGHTS RESERVED. PROPRIETARY AND CONFIDENTIAL INFORMATION - THIS DOCUMENT IS THE PROPERTY OF REGAL BELOIT AMERICA, INC. ("OWNER") AND CONTAINS OWNER'S PROPRIETARY INFORMATION. ANY PERSON, CORPORATION OR OTHER FIRM RECEIVING IT IS DEEMED, BY RECEIVING IT, TO AGREE THAT IT, AND/OR ANY PART OF IT, SHALL NOT BE DISCLOSED TO ANY PERSON, CORPORATION OR OTHER ENTITY, DUPLICATED, AND/OR USED, EXCEPT AS EXPRESSLY APPROVED IN WRITING IN ADVANCE BY OWNER. THIS DOCUMENT SHALL BE RETURNED TO OWNER UPON REQUEST. IT MAY BE SUBJECT TO CERTAIN RESTRICTIONS UNDER APPLICABLE EXPORT CONTROL LAWS AND REGULATIONS.</small>		



DRAWN BY LZ	Regal Beloit America, Inc.		
DATE 01-04-1994			
APPROVED BY GK	DESCRIPTION CONN DIAGRAM-EXTERNAL 3Ø-SINGLE VOLT-MOTOR WITH PROTECTOR		
DATE 01-20-1994	MATERIAL	PROCESS/FINISH	
THIRD ANGLE PROJECTION	SIZE A	DRAWING NUMBER EE7300T	SHEET 1 OF 1

CERTIFICATION DATA SHEET

Model#: 445THFN8050 AE **WINDING#:** T4454135 R2 2
CONN. DIAGRAM: A-EE7300T **ASSEMBLY:** F1/F2 CAPABLE
OUTLINE: B-SS555992-2025

TYPICAL MOTOR PERFORMANCE DATA

HP	KW	SYNC. RPM	F.L. RPM	FRAME	ENCLOSURE	KVA CODE	DESIGN
200	149	1800	1790	445T	TEBC-AXIAL	K	INV

PH	Hz	VOLTS	FL AMPS	START TYPE	DUTY	INSL	S.F	AMB°C	ELEVATION
3	60	460	230	INVERTER ONLY	CONTINUOUS	H1	1.0	40	3300

FULL LOAD EFF: 95	3/4 LOAD EFF: 95	1/2 LOAD EFF: 93.6	GTD. EFF	ELEC. TYPE	NO LOAD AMPS
FULL LOAD PF: 86	3/4 LOAD PF: 82.5	1/2 LOAD PF: 74	94.5	SQ CAGE INV DUTY	81

F.L. TORQUE	LOCKED ROTOR AMPS	L.R. TORQUE	B.D. TORQUE	F.L. RISE°C
587 LB-FT	2100	1225 LB-FT 209	2260 LB-FT 385	65

SOUND PRESSURE @ 3 FT.	SOUND POWER	ROTOR WK^2	MAX. WK^2	SAFE STALL TIME	STARTS /HOUR	APPROX. MOTOR WGT
88 dBA	98 dBA	64 LB-FT^2	- LB-FT^2	- SEC.	-	2500 LBS.

EQUIVALENT WYE CKT.PARAMETERS (OHMS PER PHASE)

R1	R2	X1	X2	XM
0.013064	0.006674	0.101956	0.078952	3.0246
RM	ZREF	XR	TD	TD0
174.66	1.42	8.4	0.054	1.235

***** SUPPLEMENTAL INFORMATION *****

DE BRACKET TYPE	ODE BRACKET TYPE	MOUNT TYPE	ORIENTATION	SEVERE DUTY	HAZARDOUS LOCATION	DRIP COVER	SCREENS	PAINT
STANDARD	ENCODER	RIGID	HORIZONTAL	FALSE	NONE	FALSE	NONE	BLUE (ENAMEL)

BEARINGS		GREASE	SHAFT TYPE	SPECIAL DE	SPECIAL ODE	SHAFT MATERIAL	FRAME MATERIAL
DE	OPE						
BALL	BALL	POLYREX EM	T	NONE	NONE	1045 HOT ROLLED (C-204)	CAST IRON
6318	6316						

THERMO-PROTECTORS				THERMISTORS	CONTROL	SPACE /n HEATERS
THERMOSTATS	PROTECTORS	WDG RTDs	BRG RTDs			
TSTATS (N/C)	NOT	NONE	NONE	NONE	FALSE	NONE VOLTS

If Inverter equals NONE, contact factory for further information

INVERTER TORQUE: CONSTANT 2000:1
INV. HP SPEED RANGE: 1.5 X BASE SPEED
ENCODER: PROVISIONS ONLY
NONE NONE
NONE NONE PPR
BRAKE: NONE NONE
NONE P/N NONE

*
N
O
T
E
S
*

NONE	NONE		
NONE FT-LB	NONE V	NONE Hz	

DATE: 06/21/2017 04:47:14 AM
FORM 3531 REV.3 02/07/99
** Subject to change without notice.

Data Sheet

Date: 19-06-2017
 Customer: _____
 Attention: _____
 Submitted by: FAREEDA DUDEKULA



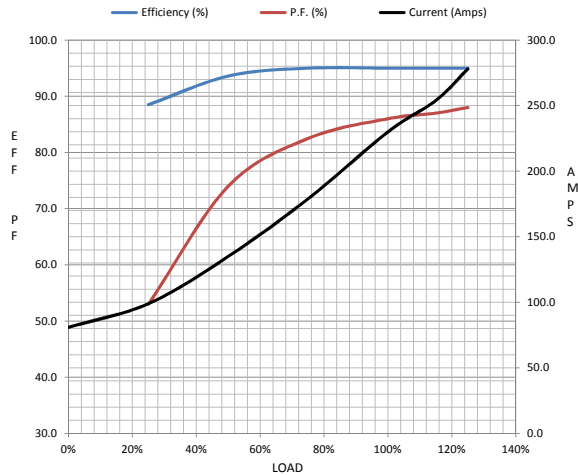
445THFN8050

Submittal

Data @ 460 V

Motor Load Data									
Load	0%	25%	50%	75%	100%	115%	125%	LR	
Current (Amps)	81.0	99.0	135	179	230	254	278	2,100	
Torque (ft-lb)	0.00	146	293	440	587	662	737	1,225	
RPM	1800	1796	1794	1792	1790	1,787	1782	0	
Efficiency (%)		88.5	93.6	95.0	95.0	95.0	95.0		
P.F. (%)	6.5	53.0	74.0	82.5	86.0	87.0	88.0	27.0	

Motor Speed Data						Information Block	
	LR	Pull-Up	BD	Rated	Idle		
Speed (RPM)	0	900	1680	1790	1800	HP	200.0
Current (Amps)	2,100	2,000	1,235	230	81.0	Sync. RPM	1800
Torque (ft-lb)	1,225	1,150	2,260	587	0.00	Frame	445
						Enclosure	TEBC
						Construction	TBN
						Voltage	460 V
						Frequency	60 Hz
						Design	A
						LR Code letter	K
						Service Factor	1.15
						Temp Rise @ FL	65 ° C
						Duty	CONT
						Ambient	40 ° C
						Elevation	1,000 feet
						Rotor/Shaft wk²	64.0 Lb-Ft²
						Ref Wdg	T4454135 R2
						Sound Pressure @ 1M	88 dBA
						VFD Rating	CONSTANT 2000:1
						Outline Dwg	B-SS55992.2025
						Conn. Diag	A-EE7300T



HP	200.0			
Sync. RPM	1800			
Frame	445			
Enclosure	TEBC			
Construction	TBN			
Voltage	460 V			
Frequency	60 Hz			
Design	A			
LR Code letter	K			
Service Factor	1.15			
Temp Rise @ FL	65 ° C			
Duty	CONT			
Ambient	40 ° C			
Elevation	1,000 feet			
Rotor/Shaft wk²	64.0 Lb-Ft²			
Ref Wdg	T4454135 R2			
Sound Pressure @ 1M	88 dBA			
VFD Rating	CONSTANT 2000:1			
Outline Dwg	B-SS55992.2025			
Conn. Diag	A-EE7300T			
Additional Specifications:				
0				
365THFS8036				
EQUIV CKT (OHMS / PHASE)				
R1	R2	X1	X2	Xm
0.0130	0.0070	0.1020	0.0790	3.0250

